

SECTION **RF**
ROOF

A
B
C

CONTENTS

D
E

PRECAUTIONS	3	Wiring Diagram	25	F
Precautions for Supplemental Restraint System (SRS) "AIR BAG" and "SEAT BELT PRE-TENSIONER"	3	Terminal and Reference Value of Soft Top Control Unit	33	G
Precautions for Battery Service	3	CLOSE → OPEN OPERATION	33	
Precautions	3	OPEN → CLOSE OPERATION	35	
PREPARATION	4	Work Flow	37	H
Special Service Tools	4	Trouble Diagnosis Chart by Symptom	37	
Commercial Service Tools	4	(CLOSE → OPEN)	37	
SQUEAK AND RATTLE TROUBLE DIAGNOSES	5	(OPEN → CLOSE)	38	
Work Flow	5	Soft Top Control Unit Power Supply Check (OP, CL)..	39	
CUSTOMER INTERVIEW	5	Soft Top Switch (OPEN) Check	39	RF
DUPLICATE THE NOISE AND TEST DRIVE	6	Soft Top Switch (CLOSE) Check	41	J
CHECK RELATED SERVICE BULLETINS	6	5th Bow Unlock Actuator Check (Open Operate)..	43	
LOCATE THE NOISE AND IDENTIFY THE ROOT CAUSE	6	5th Bow Half-Latch Switch Check (Open Operate)..	43	
REPAIR THE CAUSE	6	5th Bow Actuator Check (Open Operate)	45	
CONFIRM THE REPAIR	7	5th Bow Full Close Detection Switch Check (Open Operate)	45	K
Generic Squeak and Rattle Troubleshooting	7	5th Bow Full Open Detection Switch Check (Open Operate)	47	
INSTRUMENT PANEL	7	Storage Lid Unlock Actuator Check (Open Operate)..	48	L
CENTER CONSOLE	7	Storage Lid Full Close Detection Switch Check (Open Operate)	49	
DOORS	7	Storage Lid Actuator Check (Open Operate)	51	M
TRUNK	8	Storage Lid Full Open Detection Switch Check (Open Operate)	52	
SUNROOF/HEADLINING	8	Roof Actuator Check (Open Operate)	54	
SEATS	8	Roll Bar Interference Prevention Switch Check (Open Operate)	55	
UNDERHOOD	8	Body Interference Prevention Switch Check (Open Operate)	56	
Diagnostic Worksheet	9	Roof Full Open Detection Switch Check (Open Operate)	57	
SOFT TOP	11	Storage Lid Unlock Actuator Check (Close Operate)..	58	
Component Parts and Harness Connector Location..	11	Storage Lid Full Close Detection Switch Check (Close Operate)	59	
System Description	12	Storage Lid Actuator Check (Close Operate)	61	
CONDITIONS FOR OPERATION	13	Storage Lid Full Open Detection Switch Check (Close Operate)	62	
CONDITIONS FOR STOPPING OPERATION ...	13	Body Interference Prevention Switch Check (Close Operate)	64	
OUTLINE OF OPERATION	13			
OPERATION: FULL CLOSE → FULL OPEN	13			
OPERATION: FULL OPEN → FULL CLOSE	16			
Operation Chart	19			
CLOSE → OPEN	19			
OPEN → CLOSE	21			
Indicator Lamp	23			
Schematic	24			

Roof Actuator Check (Close Operate)	65	REMOVAL	107
Roof Full Close Detection Switch Check	66	INSTALLATION	110
5th Bow Actuator Check (Close Operate)	68	Removal and Installation of Front Lock	114
5th Bow Full Close Detection Switch Check (Close Operate)	68	REMOVAL	114
5th Bow Full Open Detection Switch Check (Close Operate)	70	INSTALLATION	114
5th Bow Half-Latch Switch Check (Close Operate)..	71	INSPECTION AND ADJUSTMENT	114
5th Bow Full-Latch Switch Check	72	Repairing Method for Water Leakage Around Doors	115
5th Bow Ending Switch Check	74	WATER LEAKAGE FROM A	115
5th Bow Closure Motor Check	75	WATER LEAKAGE FROM B	116
Operation Permission Condition Check	76	WATER LEAKAGE FROM C	116
Each Switch Condition Check (Open Operate)	79	WATER LEAKAGE FROM D	117
Each Switch Condition Check (Close Operate)	80	WATER LEAKAGE FROM E	117
Power Window Down Request Signal Check	80	WATER LEAKAGE TEST	118
Power Window Harness Check	81	Correspondence in Emergency	119
Passenger Side Seat Operate Signal Check 1	81	MANUAL OPERATION (SOFT TOP FULLY OPEN ⇒ FULLY CLOSE)	119
Passenger Side Seat Operate Signal Check 2	82	MANUAL OPERATION (SOFT TOP FULLY CLOSE ⇒ FULLY OPEN)	120
Passenger Side Seat Operate Signal Check 3	82	STORAGE LID	122
Seat Back Position Signal Check	82	Removal and Installation of Storage Lid Assembly.	122
Speed Signal Circuit Check	83	REMOVAL	122
Indicator Lamp Circuit Check	84	INSTALLATION	122
Removal and Installation of Soft Top Control Unit..	85	Removal and Installation of Storage Lid Inside Unit	123
REMOVAL	85	REMOVAL	123
INSTALLATION	85	INSTALLATION	124
Component Parts Drawing	86	Removal and Installation of Storage Lid Actuator .	125
Removal and Installation of Soft Top Assembly	87	REMOVAL	125
REMOVAL	87	INSTALLATION	125
INSTALLATION	88	Removal and Installation of Storage Room Finisher.	125
Removal and Installation of Soft Top Cover	89	REMOVAL	125
REMOVAL	89	INSTALLATION	126
INSTALLATION	96	Removal and Installation of Storage Outer Protector	126
Removal and Installation of Switches	106	Adjustment of Storage Lid	127
REMOVAL	106	ADJUSTMENT IN FULLY CLOSED POSITION.	127
INSTALLATION	106	ADJUSTMENT IN FULLY OPENED POSITION.	128
Removal and Installation of Roof Actuator	107	Removal and Installation of Storage Lid Striker Lock & Storage Lid Emergency Opener Cable	129
REMOVAL	107	REMOVAL	129
INSTALLATION	107	INSTALLATION	129
Removal and Installation of 5th Bow Drive Unit ...	107		

PRECAUTIONS

PRECAUTIONS

PF0:00001

Precautions for Supplemental Restraint System (SRS) “AIR BAG” and “SEAT BELT PRE-TENSIONER”

AIS003Y9

The Supplemental Restraint System such as “AIR BAG” and “SEAT BELT PRE-TENSIONER”, used along with a front seat belt, helps to reduce the risk or severity of injury to the driver and front passenger for certain types of collision. This system includes seat belt switch inputs and dual stage front air bag modules. The SRS system uses the seat belt switches to determine the front air bag deployment, and may only deploy one front air bag, depending on the severity of a collision and whether the front occupants are belted or unbelted. Information necessary to service the system safely is included in the SRS and SB section of this Service Manual.

WARNING:

- To avoid rendering the SRS inoperative, which could increase the risk of personal injury or death in the event of a collision which would result in air bag inflation, all maintenance must be performed by an authorized NISSAN/INFINITI dealer.
- Improper maintenance, including incorrect removal and installation of the SRS, can lead to personal injury caused by unintentional activation of the system. For removal of Spiral Cable and Air Bag Module, see the SRS section.
- Do not use electrical test equipment on any circuit related to the SRS unless instructed to in this Service Manual. SRS wiring harnesses can be identified by yellow and/or orange harnesses or harness connectors.

Precautions for Battery Service

AIS003YA

Before disconnecting the battery, lower both the driver and passenger windows. This will prevent any interference between the window edge and the vehicle when the door is opened/closed. During normal operation, the window slightly raises and lowers automatically to prevent any window to vehicle interference. The automatic window function will not work with the battery disconnected.

Precautions

AIS003YB

- Disconnect both battery cables in advance.
- Never tamper with or force air bag lid open, as this may adversely affect air bag performance.
- Be careful not to scratch pad and other parts.
- When removing or disassembling any part, be careful not to damage or deform it. Protect parts, which may get in the way with cloth.
- When removing parts with a screwdriver or other tool, protect parts by wrapping them with vinyl or tape.
- Keep removed parts protected with cloth.
- If a clip is deformed or damaged, replace it.
- If an un reusable part is removed, replace it with a new one.
- Tighten bolts and nuts firmly to the specified torque.
- After re-assembly has been completed, make sure each part functions correctly.
- Remove stains in the following way.

Water-soluble stains:

Dip a soft cloth in warm water, and then squeeze it tightly. After wiping the stain, wipe with a soft dry cloth.

Oil stain:

Dissolve a synthetic detergent in warm water (density of 2 to 3% or less), dip the cloth, then clean off the stain with the cloth. Next, dip the cloth in fresh water and squeeze it tightly. Then clean off the detergent completely. Then wipe the area with a soft dry cloth.

- Do not use any organic solvent, such as thinner or benzene.

PREPARATION

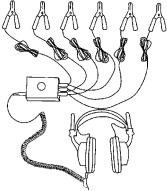
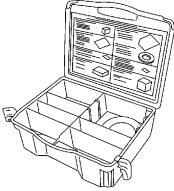
PREPARATION

PFP:00002

Special Service Tools

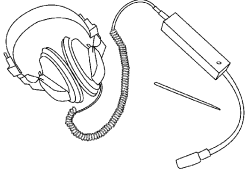
AIS003YC

The actual shapes of Kent-Moore tools may differ from those of special service tools illustrated here.

Tool number (Kent-Moore No.) Tool name	Description
(J39570) Chassis ear  <p style="text-align: right; margin-right: 20px;">SIIA0993E</p>	Locating the noise
(J43980) NISSAN Squeak and Rattle Kit  <p style="text-align: right; margin-right: 20px;">SIIA0994E</p>	Repairing the cause of noise

Commercial Service Tools

AIS003YD

Tool name	Description
Engine ear  <p style="text-align: right; margin-right: 20px;">SIIA0995E</p>	Locating the noise

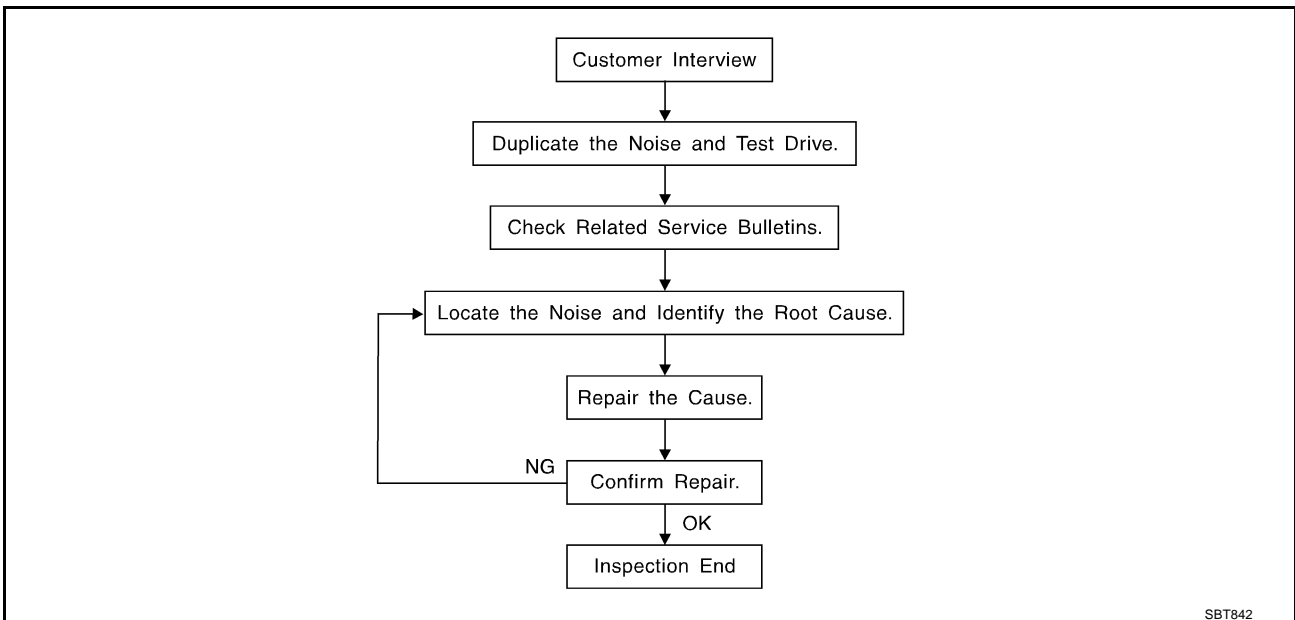
SQUEAK AND RATTLE TROUBLE DIAGNOSES

SQUEAK AND RATTLE TROUBLE DIAGNOSES

PFP:00000

Work Flow

AIS0066A



CUSTOMER INTERVIEW

Interview the customer if possible, to determine the conditions that exist when the noise occurs. Use the Diagnostic Worksheet during the interview to document the facts and conditions when the noise occurs and any customer's comments; refer to [RF-9, "Diagnostic Worksheet"](#). This information is necessary to duplicate the conditions that exist when the noise occurs.

- The customer may not be able to provide a detailed description or the location of the noise. Attempt to obtain all the facts and conditions that exist when the noise occurs (or does not occur).
- If there is more than one noise in the vehicle, be sure to diagnose and repair the noise that the customer is concerned about. This can be accomplished by test driving the vehicle with the customer.
- After identifying the type of noise, isolate the noise in terms of its characteristics. The noise characteristics are provided so the customer, service adviser and technician are all speaking the same language when defining the noise.
- Squeak—(Like tennis shoes on a clean floor)
Squeak characteristics include the light contact/fast movement/brought on by road conditions/hard surfaces=higher pitch noise/softer surfaces=lower pitch noises/edge to surface=chirping
- Creak—(Like walking on an old wooden floor)
Creak characteristics include firm contact/slow movement/twisting with a rotational movement/pitch dependent on materials/often brought on by activity.
- Rattle—(Like shaking a baby rattle)
Rattle characteristics include the fast repeated contact/vibration or similar movement/loose parts/missing clip or fastener/incorrect clearance.
- Knock—(Like a knock on a door)
Knock characteristics include hollow sounding/sometimes repeating/often brought on by driver action.
- Tick—(Like a clock second hand)
Tick characteristics include gentle contacting of light materials/loose components/can be caused by driver action or road conditions.
- Thump—(Heavy, muffled knock noise)
Thump characteristics include softer knock/dead sound often brought on by activity.
- Buzz—(Like a bumble bee)
Buzz characteristics include high frequency rattle/firm contact.
- Often the degree of acceptable noise level will vary depending upon the person. A noise that you may judge as acceptable may be very irritating to the customer.
- Weather conditions, especially humidity and temperature, may have a great effect on noise level.

SQUEAK AND RATTLE TROUBLE DIAGNOSES

DUPLICATE THE NOISE AND TEST DRIVE

If possible, drive the vehicle with the customer until the noise is duplicated. Note any additional information on the Diagnostic Worksheet regarding the conditions or location of the noise. This information can be used to duplicate the same conditions when you confirm the repair.

If the noise can be duplicated easily during the test drive, to help identify the source of the noise, try to duplicate the noise with the vehicle stopped by doing one or all of the following:

- 1) Close a door.
 - 2) Tap or push/pull around the area where the noise appears to be coming from.
 - 3) Rev the engine.
 - 4) Use a floor jack to recreate vehicle "twist".
 - 5) At idle, apply engine load (electrical load, half-clutch on M/T models, drive position on A/T models).
 - 6) Raise the vehicle on a hoist and hit a tire with a rubber hammer.
- Drive the vehicle and attempt to duplicate the conditions the customer states exist when the noise occurs.
 - If it is difficult to duplicate the noise, drive the vehicle slowly on an undulating or rough road to stress the vehicle body.

CHECK RELATED SERVICE BULLETINS

After verifying the customer concern or symptom, check ASIST for Technical Service Bulletins (TSBs) related to that concern or symptom.

If a TSB relates to the symptom, follow the procedure to repair the noise.

LOCATE THE NOISE AND IDENTIFY THE ROOT CAUSE

1. Narrow down the noise to a general area. To help pinpoint the source of the noise, use a listening tool (Chassis Ear: J-39570, Engine Ear and mechanics stethoscope).
2. Narrow down the noise to a more specific area and identify the cause of the noise by:
 - removing the components in the area that you suspect the noise is coming from.
Do not use too much force when removing clips and fasteners, otherwise clips and fastener can be broken or lost during the repair, resulting in the creation of new noise.
 - tapping or pushing/pulling the component that you suspect is causing the noise.
Do not tap or push/pull the component with excessive force, otherwise the noise will be eliminated only temporarily.
 - feeling for a vibration with your hand by touching the component(s) that you suspect is (are) causing the noise.
 - placing a piece of paper between components that you suspect are causing the noise.
 - looking for loose components and contact marks.
Refer to [RF-7, "Generic Squeak and Rattle Troubleshooting"](#) .

REPAIR THE CAUSE

- If the cause is a loose component, tighten the component securely.
- If the cause is insufficient clearance between components:
 - separate components by repositioning or loosening and retightening the component, if possible.
 - insulate components with a suitable insulator such as urethane pads, foam blocks, felt cloth tape or urethane tape. A Nissan Squeak and Rattle Kit (J-43980) is available through your authorized Nissan Parts Department.

CAUTION:

Do not use excessive force as many components are constructed of plastic and may be damaged.

NOTE:

Always check with the Parts Department for the latest parts information.

The following materials are contained in the Nissan Squeak and Rattle Kit (J-43980). Each item can be ordered separately as needed.

URETHANE PADS [1.5 mm (0.059 in) thick]

Insulates connectors, harness, etc.

76268-9E005: 100 × 135 mm (3.94 × 5.31 in)/76884-71L01: 60 × 85 mm (2.36 × 3.35 in)/76884-

71L02: 15 × 25 mm (0.59 × 0.98 in)

INSULATOR (Foam blocks)

Insulates components from contact. Can be used to fill space behind a panel.

73982-9E000: 45 mm (1.77 in) thick, 50 × 50 mm (1.97 × 1.97 in)/73982-50Y00:

10 mm (0.39 in) thick, 50 × 50 mm (1.97 × 1.97 in)

SQUEAK AND RATTLE TROUBLE DIAGNOSES

INSULATOR (Light foam block)

80845-71L00: 30 mm (1.18 in) thick, 30 × 50 mm (1.18 × 1.97 in)

FELT CLOTH TAPE

Used to insulate where movement does not occur. Ideal for instrument panel applications.

68370-4B000: 15 × 25 mm (0.59 × 0.98 in) pad/68239-13E00: 5 mm (0.20 in) wide tape roll

The following materials, not found in the kit, can also be used to repair squeaks and rattles.

UHMW (TEFLON) TAPE

Insulates where slight movement is present. Ideal for instrument panel applications.

SILICONE GREASE

Used in place of UHMW tape that will be visible or not fit. Will only last a few months.

SILICONE SPRAY

Use when grease cannot be applied.

DUCT TAPE

Use to eliminate movement.

CONFIRM THE REPAIR

Confirm that the cause of a noise is repaired by test driving the vehicle. Operate the vehicle under the same conditions as when the noise originally occurred. Refer to the notes on the Diagnostic Worksheet.

Generic Squeak and Rattle Troubleshooting

AI50066B

Refer to Table of Contents for specific component removal and installation information.

INSTRUMENT PANEL

Most incidents are caused by contact and movement between:

1. The cluster lid A and instrument panel
2. Acrylic lens and combination meter housing
3. Instrument panel to front pillar garnish
4. Instrument panel to windshield
5. Instrument panel mounting pins
6. Wiring harnesses behind the combination meter
7. A/C defroster duct and duct joint

These incidents can usually be located by tapping or moving the components to duplicate the noise or by pressing on the components while driving to stop the noise. Most of these incidents can be repaired by applying felt cloth tape or silicon spray (in hard to reach areas). Urethane pads can be used to insulate wiring harness.

CAUTION:

Do not use silicone spray to isolate a squeak or rattle. If you saturate the area with silicone, you will not be able to recheck the repair.

CENTER CONSOLE

Components to pay attention to include:

1. Shifter assembly cover to finisher
2. A/C control unit and cluster lid C
3. Wiring harnesses behind audio and A/C control unit

The instrument panel repair and isolation procedures also apply to the center console.

DOORS

Pay attention to the:

1. Finisher and inner panel making a slapping noise
2. Inside handle escutcheon to door finisher
3. Wiring harnesses tapping
4. Door striker out of alignment causing a popping noise on starts and stops

Tapping or moving the components or pressing on them while driving to duplicate the conditions can isolate many of these incidents. You can usually insulate the areas with felt cloth tape or insulator foam blocks from the Nissan Squeak and Rattle Kit (J-43980) to repair the noise.

SQUEAK AND RATTLE TROUBLE DIAGNOSES

TRUNK

Trunk noises are often caused by a loose jack or loose items put into the trunk by the owner. In addition look for:

1. Trunk lid dumpers out of adjustment
2. Trunk lid striker out of adjustment
3. The trunk lid torsion bars knocking together
4. A loose license plate or bracket

Most of these incidents can be repaired by adjusting, securing or insulating the item(s) or component(s) causing the noise.

SUNROOF/HEADLINING

Noises in the sunroof/headlining area can often be traced to one of the following:

1. Sunroof lid, rail, linkage or seals making a rattle or light knocking noise
2. Sunvisor shaft shaking in the holder
3. Front or rear windshield touching headlining and squeaking

Again, pressing on the components to stop the noise while duplicating the conditions can isolate most of these incidents. Repairs usually consist of insulating with felt cloth tape.

SEATS

When isolating seat noise it's important to note the position the seat is in and the load placed on the seat when the noise is present. These conditions should be duplicated when verifying and isolating the cause of the noise.

Cause of seat noise include:

1. Headrest rods and holder
2. A squeak between the seat pad cushion and frame
3. The rear seatback lock and bracket

These noises can be isolated by moving or pressing on the suspected components while duplicating the conditions under which the noise occurs. Most of these incidents can be repaired by repositioning the component or applying urethane tape to the contact area.

UNDERHOOD

Some interior noise may be caused by components under the hood or on the engine wall. The noise is then transmitted into the passenger compartment.

Causes of transmitted underhood noise include:

1. Any component mounted to the engine wall
2. Components that pass through the engine wall
3. Engine wall mounts and connectors
4. Loose radiator mounting pins
5. Hood bumpers out of adjustment
6. Hood striker out of adjustment

These noises can be difficult to isolate since they cannot be reached from the interior of the vehicle. The best method is to secure, move or insulate one component at a time and test drive the vehicle. Also, engine RPM or load can be changed to isolate the noise. Repairs can usually be made by moving, adjusting, securing, or insulating the component causing the noise.

SQUEAK AND RATTLE TROUBLE DIAGNOSES

Diagnostic Worksheet

AI/S0066C

A
B
C
D
E
F
G
H
RF
J
K
L
M

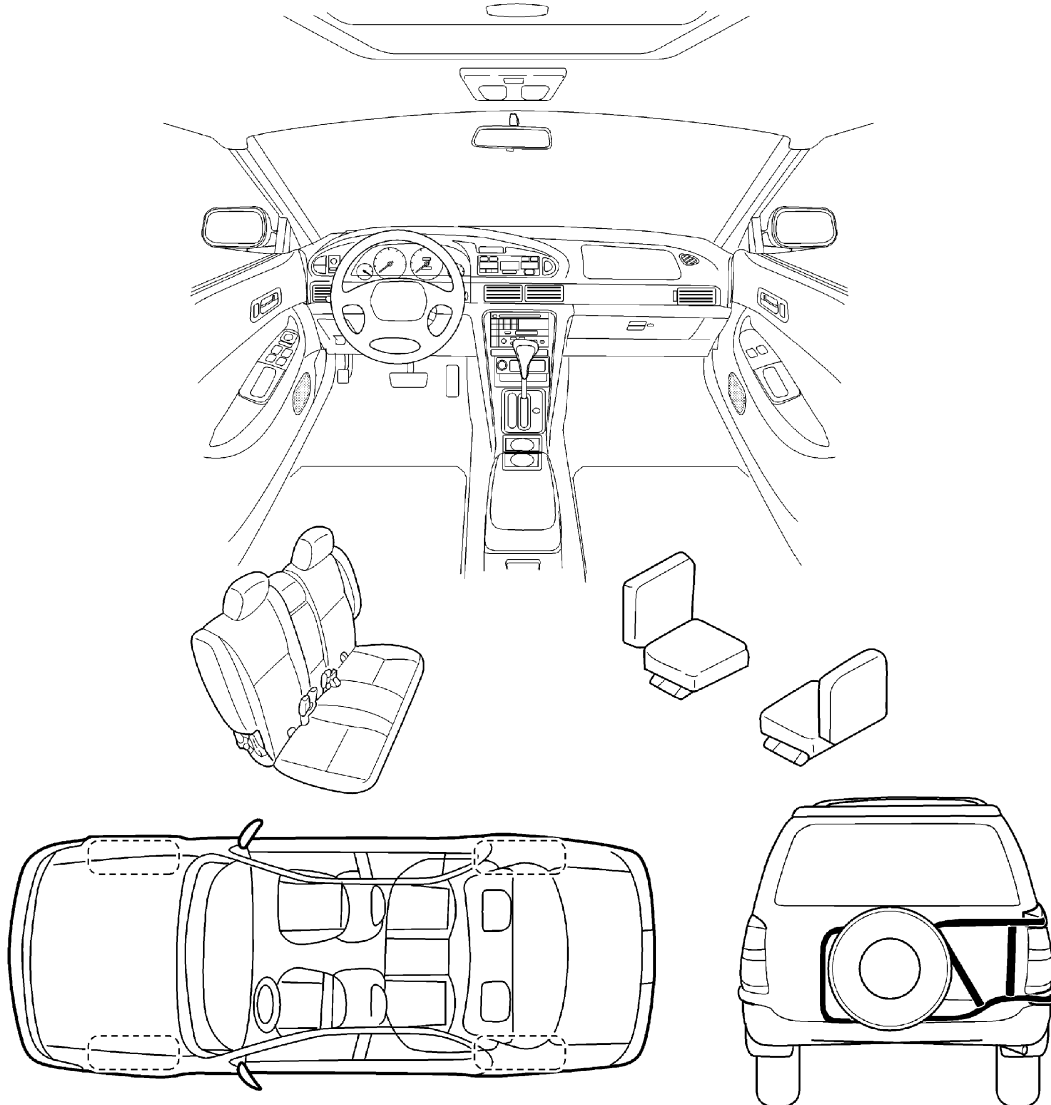
SQUEAK & RATTLE DIAGNOSTIC WORKSHEET

Dear Nissan Customer:

We are concerned about your satisfaction with your Nissan vehicle. Repairing a squeak or rattle sometimes can be very difficult. To help us fix your Nissan right the first time, please take a moment to note the area of the vehicle where the squeak or rattle occurs and under what conditions. You may be asked to take a test drive with a service advisor or technician to ensure we confirm the noise you are hearing.

I. WHERE DOES THE NOISE COME FROM? (circle the area of the vehicle)

The illustrations are for reference only, and may not reflect the actual configuration of your vehicle.



Continue to the back of the worksheet and briefly describe the location of the noise or rattle. In addition, please indicate the conditions which are present when the noise occurs.

PIIB0723E

SQUEAK AND RATTLE TROUBLE DIAGNOSES

SQUEAK & RATTLE DIAGNOSTIC WORKSHEET- page 2

Briefly describe the location where the noise occurs:

II. WHEN DOES IT OCCUR? (check the boxes that apply)

- | | |
|--|---|
| <input type="checkbox"/> anytime | <input type="checkbox"/> after sitting out in the sun |
| <input type="checkbox"/> 1 st time in the morning | <input type="checkbox"/> when it is raining or wet |
| <input type="checkbox"/> only when it is cold outside | <input type="checkbox"/> dry or dusty conditions |
| <input type="checkbox"/> only when it is hot outside | <input type="checkbox"/> other: _____ |

III. WHEN DRIVING:

- through driveways
- over rough roads
- over speed bumps
- only at about ____ mph
- on acceleration
- coming to a stop
- on turns : left, right or either (circle)
- with passengers or cargo
- other: _____
- after driving ____ miles or ____ minutes

IV. WHAT TYPE OF NOISE?

- squeak (like tennis shoes on a clean floor)
- creak (like walking on an old wooden floor)
- rattle (like shaking a baby rattle)
- knock (like a knock on a door)
- tick (like a clock second hand)
- thump (heavy, muffled knock noise)
- buzz (like a bumble bee)

TO BE COMPLETED BY DEALERSHIP PERSONNEL

Test Drive Notes:

	YES	NO	Initials of person performing
Vehicle test driven with customer	<input type="checkbox"/>	<input type="checkbox"/>	_____
- Noise verified on test drive	<input type="checkbox"/>	<input type="checkbox"/>	_____
- Noise source located and repaired	<input type="checkbox"/>	<input type="checkbox"/>	_____
- Follow up test drive performed to confirm repair	<input type="checkbox"/>	<input type="checkbox"/>	_____

VIN: _____ Customer Name: _____

W.O. #: _____ Date: _____

This form must be attached to Work Order

SBT844

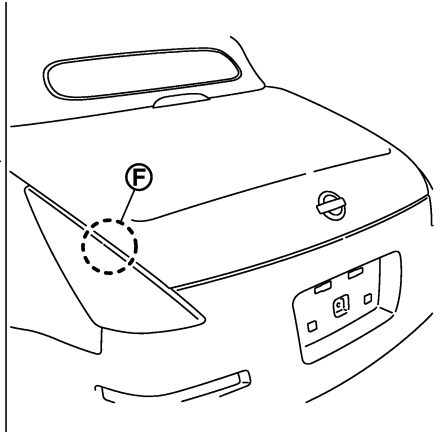
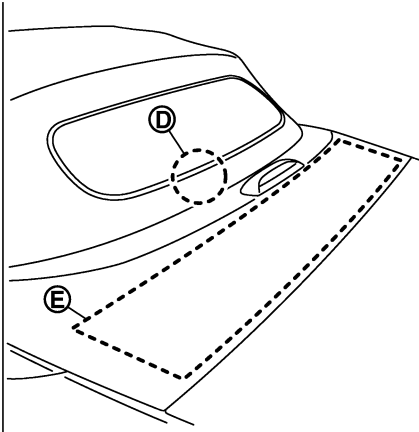
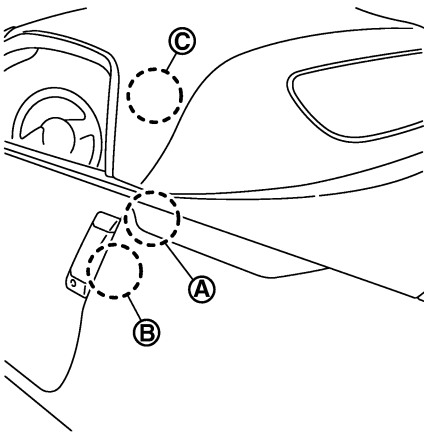
SOFT TOP

PPF:97002

SOFT TOP

Component Parts and Harness Connector Location

AIS005Z3

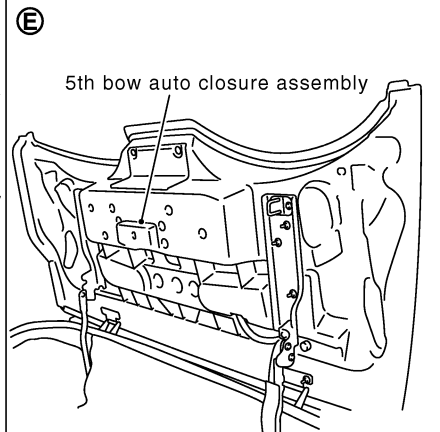
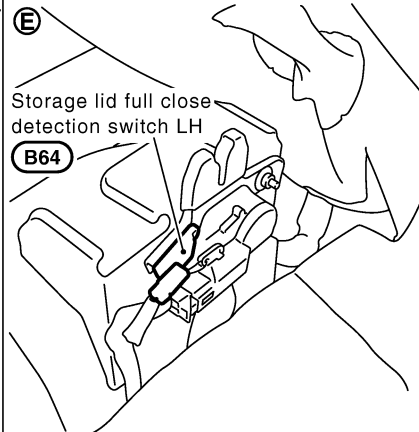
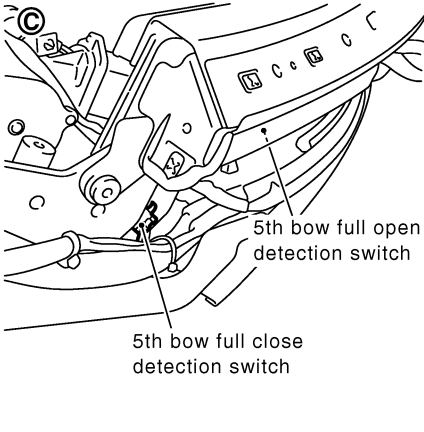
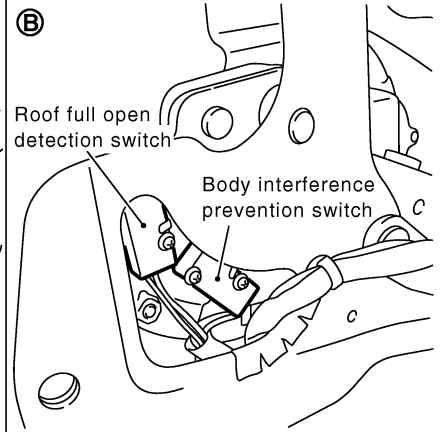
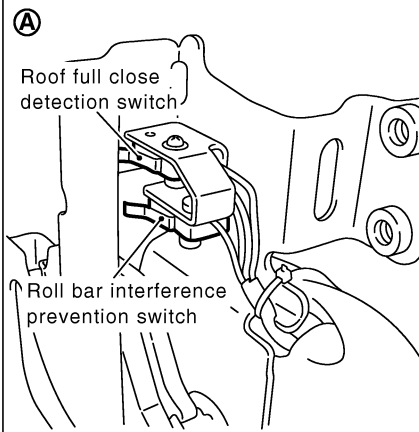
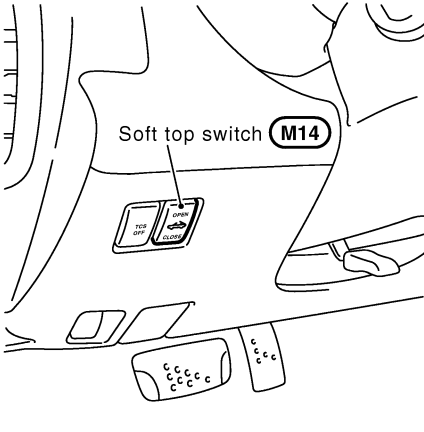
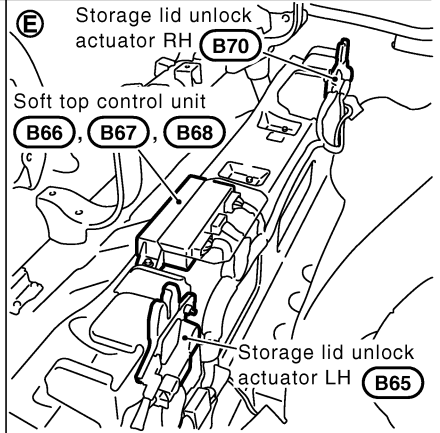
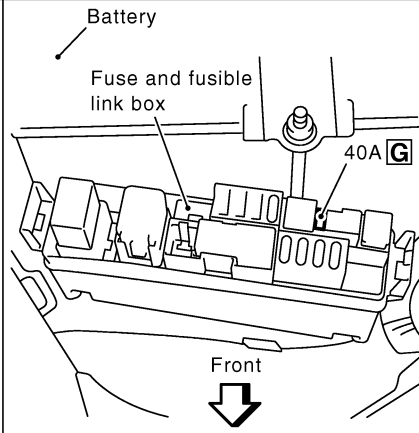


11	22
10	21
9	20
8	19
7	18
6	17
5	16
4	15
3	14
2	13
1	12

10A

10A

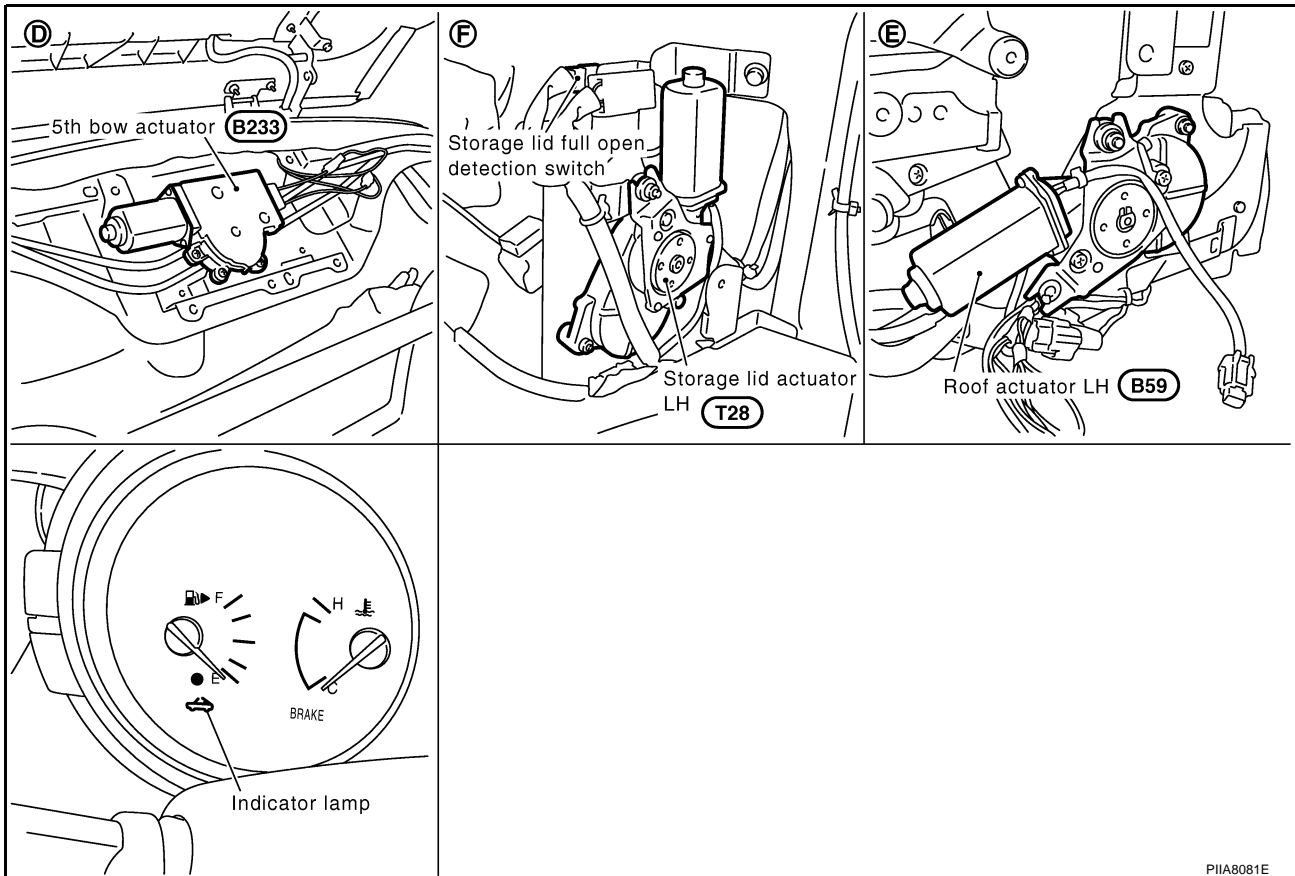
Fuse block (J/B) fuse layout



A
B
C
D
E
F
G
H
RF
J
K
L
M

RF

SOFT TOP



PIIA8081E

Following Parts Are Built Into 5th Bow Auto Closure Assembly.

- 5th bow half-latch switch built in 5th bow lock assembly in storage lid.
- 5th bow full-latch switch built in 5th bow lock assembly in storage lid.
- 5th bow ending switch built in 5th bow lock assembly in storage lid.
- 5th bow unlock actuator.
- 5th bow closure motor.

NOTE:

Always replace following switches as a 5th bow lock assembly.

- 5th bow half-latch switch
- 5th bow full-latch switch
- 5th bow ending switch.

5th bow full open detection switch and 5th bow full close detection switch are built into 5th bow switch assembly located at plate rail RR. Replace above switches as a plate rail RR.

System Description

AIS005Z4

An electronic soft top open/close system has been adopted that allows the soft top to be opened or closed using the soft top switch.

The following parts operate, linked with the operation of the soft top.

- When the soft top begins to operate, the passenger seat tilts forward. When operation is completed, it returns to its original position.
(It does not move when the seat cancel switch is ON.)
- When the soft top begins to operate, both power windows activate to the fully-open position.
(They do not activate to the fully-closed position after operation is completed.)
Moreover, power window cannot be operated while soft top is operating.

When the soft top switch is released, soft top operation stops.

SOFT TOP

CONDITIONS FOR OPERATION

Operation is available when all of the conditions below are satisfied.

- Ignition switch is ON.
- The brake pedal is ON.
- Vehicle speed is 4 km/h (2 MPH) or less.
- Battery voltage is approximately 10 V or more.

CAUTION:

Run the engine when operating or inspecting the soft top to prevent battery dies.

CONDITIONS FOR STOPPING OPERATION

Operation of the soft top stops when the conditions below are satisfied while the soft top is operating.

- Any of the above operation conditions is no longer satisfied.
- The passenger side power seat is operated. (It does not move when seat cancel switch is ON.)

OUTLINE OF OPERATION

Refer to the illustrations for the positions of the soft top, and the conditions of switch and actuator operation.

OPERATION: FULL CLOSE → FULL OPEN

Refer to [RF-19, "State Chart"](#) .

- CONDITION: FULL CLOSE

Item	Condition
5th bow half-latch switch	: OFF
5th bow full-latch switch	: OFF
5th bow ending switch	: OFF
5th bow full open detection switch	: OFF
5th bow full close detection switch	: OFF
Storage lid full open detection switch	: OFF
Storage lid full close detection switch LH	: OFF
Storage lid full close detection switch RH	: OFF
Roof full open detection switch	: OFF
Roof full close detection switch	: OFF
Body interference prevention switch	: OFF
Roll bar interference prevention switch	: OFF

- CONDITION: OP 1

When the soft top switch is pushed to OPEN, the indicator lamp illuminates, windows activate to the fully-open position and the passenger seat tilts forward by approximately 6 degrees by power window down request signal. When passenger seat tilts forward by approximately 6 degrees, seat back position signal is turned ON.

Item	Condition
Soft top switch (OPEN)	: ON (Until the operation ends)
Indicator lamp	: ON
Power window down request signal	: ON
Seat back position signal	: OFF → ON

- CONDITION: OP 2

The 5th bow unlock actuator operates, releasing the 5th bow lock.

Item	Condition
5th bow unlock actuator	: ON

- CONDITION: OP 3

The 5th bow actuator moves the 5th bow up.

SOFT TOP

Item	Condition
5th bow half-latch switch	: OFF → ON
5th bow actuator	: UP
5th bow unlock actuator	: ON → OFF

- **CONDITION: OP 4**
The 5th bow is rising.

Item	Condition
5th bow actuator	: UP
5th bow full close detection switch	: OFF → ON
5th bow closure motor	: OPEN → STOP
5th bow full-latch switch	: OFF → ON
5th bow ending switch	: OFF → ON

- **CONDITION: OP 5**
The 5th bow stops in the fully-open position. The storage lid unlock actuator operates, releasing the storage lid lock.

Item	Condition
5th bow full open detection switch	: OFF → ON
5th bow actuator	: UP → STOP
Storage lid unlock actuator (LH and RH)	: ON
Storage lid full close detection switch (RH)	: OFF → ON

- **CONDITION: OP 6**
The storage lid actuator operates, raising the storage lid.

Item	Condition
Storage lid full close detection switch (LH)	: OFF → ON
Storage lid actuator (LH and RH)	: OPEN
Storage lid unlock actuator (LH and RH)	: ON → OFF

- **CONDITION: OP 7**
The storage lid stops in the fully-open position. The 5th bow actuator moves the 5th bow down.

Item	Condition
Storage lid full open detection switch	: OFF → ON
Storage lid actuator (LH and RH)	: OPEN → STOP
5th bow actuator	: DOWN
5th bow full open detection switch	: ON → OFF

- **CONDITION: OP 8**
The 5th bow actuator stops in the fully-closed position. The roof actuator operates (OPEN operation), opening the roof.

Item	Condition
5th bow full close detection switch	: ON → OFF
5th bow actuator	: DOWN → STOP
Roof actuator (LH and RH)	: OPEN
Roof full close detection switch	: OFF → ON

- **CONDITION: OP 9**
While the roof is opening, the 5th bow actuator moves the 5th bow up.

SOFT TOP

Item	Condition	A
Roof actuator (LH and RH)	: OPEN	
5th bow actuator	: UP	
5th bow full close detection switch	: OFF → ON	B
Roll bar interference prevention switch	: OFF → ON	

- **CONDITION: OP 10**
While the roof is opening, the 5th bow stops in the fully-open position.

Item	Condition	C
Roof actuator (LH and RH)	: OPEN	D
5th bow full open detection switch	: OFF → ON	
5th bow actuator	: UP → STOP	E
Body interference prevention switch	: OFF → ON	

- **CONDITION: OP 11**
The roof is stored and stops motion. The storage lid actuator operates (DOWN operation) to lower the storage lid.
The passenger seat also returns to its original position.

Item	Condition	F
Roof full open detection switch	: OFF → ON	G
Roof actuator (LH and RH)	: OPEN → STOP	H
Storage lid actuator (LH and RH)	: CLOSE	
Storage lid full open detection switch	: ON → OFF	
Storage lid full close detection switch (LH)	: ON → OFF	RF

- **CONDITION: OP 12**
At the fully-closed position, the storage lid inverts and stops. The passenger seat tilts back. Opening operation is completed, and the indicator lamp turns OFF.

Item	Condition	J
Storage lid full close detection switch (RH)	: ON → OFF	K
Storage lid actuator (LH and RH)	: CLOSE → OPEN → STOP	
Indicator lamp	: ON → OFF	L

M

SOFT TOP

OPERATION: FULL OPEN → FULL CLOSE

Refer to [RF-21, "State Chart"](#) .

- **CONDITION: FULL OPEN**

Item	Condition
5th bow half-latch switch	: ON
5th bow full-latch switch	: ON
5th bow ending switch	: ON
5th bow full open detection switch	: ON
5th bow full close detection switch	: ON
Storage lid full open detection switch	: OFF
Storage lid full close detection switch LH	: OFF
Storage lid full close detection switch RH	: OFF
Roof full open detection switch	: ON
Roof full close detection switch	: ON
Body interference prevention switch	: ON
Roll bar interference prevention switch	: ON

- **CONDITION: CL 1**

When the soft top switch is pressed to the CLOSE side, the indicator lamp illuminates, storage lid unlock actuator also operates, releasing the storage lid lock.

Item	Condition
Soft top switch (CLOSE)	: ON (Until the operation ends)
Indicator lamp	: ON
Storage lid unlock actuator	: ON
Storage lid full close detection switch (RH)	: OFF → ON

- **CONDITION: CL 2**

Windows activate to the fully-open position and the passenger seat tilts forward by approximately 6 degrees by power window down request signal. Storage lid actuator operates to raise the storage lid. When passenger seat tilts forward by approximately 6 degrees, seat back position signal is turned ON.

Item	Condition
Storage lid full close detection switch (LH)	: OFF → ON
Storage lid actuator (LH and RH)	: UP
Power window down request signal	: ON
Storage lid unlock actuator	: ON → OFF
Seat back position signal	: OFF → ON

- **CONDITION: CL 3**

The storage lid stops at the fully-open position. The roof actuator operates (CLOSE operation) to close the roof.

Item	Condition
Storage lid full open detection switch	: OFF → ON
Storage lid actuator (LH and RH)	: OPEN → STOP
Roof actuator (LH and RH)	: CLOSE
Roof full open detection switch	: ON → OFF
Body interference prevention switch	: ON → OFF

- **CONDITION: CL 4**

While the roof is closing, the 5th bow actuator operates (DOWN operation) to lower the 5th bow.

SOFT TOP

Item	Condition
Roof actuator (LH and RH)	: CLOSE
5th bow actuator	: DOWN
5th bow full open detection switch	: ON → OFF

- **CONDITON: CL 5**
The roof is closing, and 5th bow is lowering.

Item	Condition
Roof actuator (LH and RH)	: CLOSE
5th bow full close detection switch	: ON → OFF
5th bow actuator	: DOWN → STOP
Roll bar interference prevention switch	: ON → OFF

- **CONDITION: CL 6**
The roof stops at the fully-closed position. The 5th bow actuator inverts, raising the 5th bow.

Item	Condition
Roof full close detection switch	: ON → OFF
Roof actuator (LH and RH)	: CLOSE → STOP
5th bow actuator	: UP
5th bow full close detection switch	: OFF → ON

- **CONDITON: CL 7**
The 5th bow stops in the fully-open position. The storage lid actuator operates (DOWN operation) lower the storage lid.

Item	Condition
5th bow full open detection switch	: OFF → ON
5th bow actuator	: UP → STOP
Storage lid actuator (LH and RH)	: CLOSE
Storage lid full open detection switch	: ON → OFF
Storage lid full close detection switch (LH)	: ON → OFF

- **CONDITION: CL 8**
The storage lid inverts and stops at the fully-closed position. The 5th bow actuator operates (DOWN operation) to lower the 5th bow.

Item	Condition
Storage lid full close detection switch (RH)	: ON → OFF
Storage lid actuator	: CLOSE → OPEN → STOP
5th bow actuator	: DOWN
5th bow full open detection switch	: ON → OFF

- **CONDITION: CL 9**
The 5th bow is lowering.

Item	Condition
5th bow actuator	: DOWN
5th bow full close detection switch	: ON → OFF

- **CONDITION: CL 10**
5th bow auto closure operates. The passenger seat tilts back. Closing operation is completed, and the indicator lamp turns OFF. The passenger seat also returns to its original position.

A
B
C
D
E
F
G
H
RF
J
K
L
M

SOFT TOP

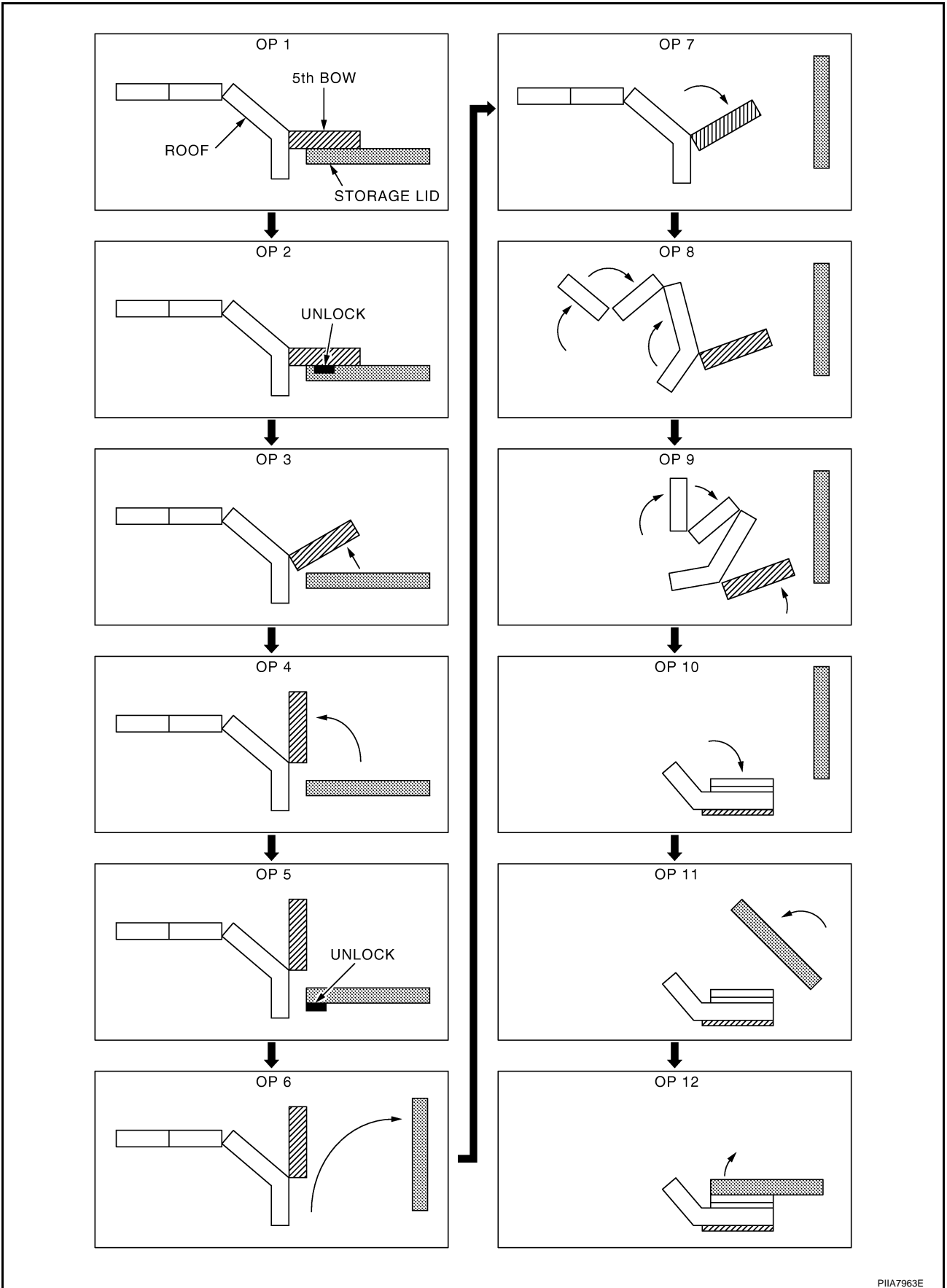
Item	Condition
5th bow actuator	: DOWN → STOP
5th bow half-latch switch	: ON → OFF
5th bow full-latch switch	: ON → OFF
5th bow ending switch	: ON → OFF
5th bow closure motor	: CLOSE → STOP
Indicator lamp	: ON → OFF

SOFT TOP

AI5005Z5

Operation Chart CLOSE → OPEN State Chart

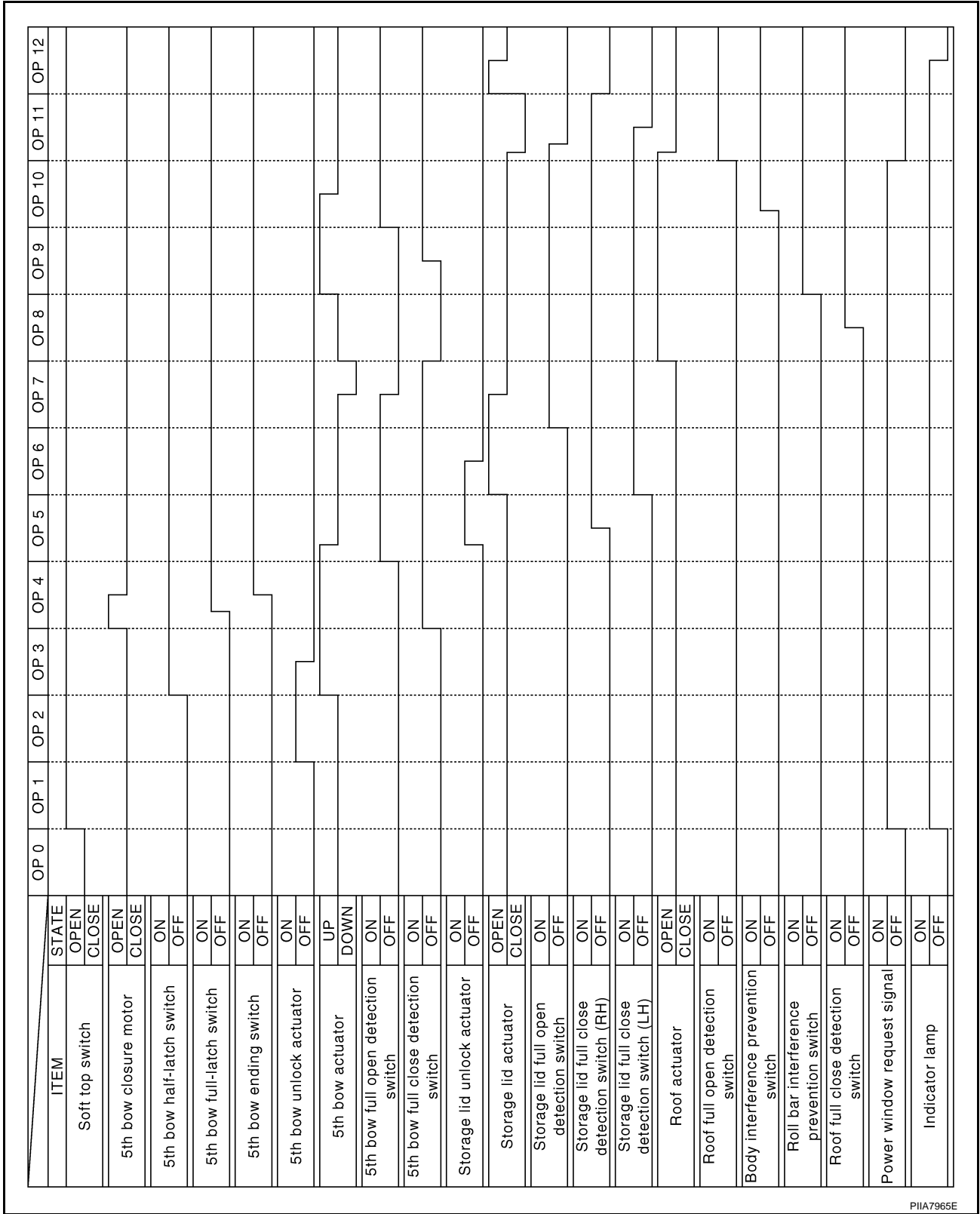
A
B
C
D
E
F
G
H
RF
J
K
L
M



PIIA7963E

SOFT TOP

Each Switch and Actuator Signal Chart

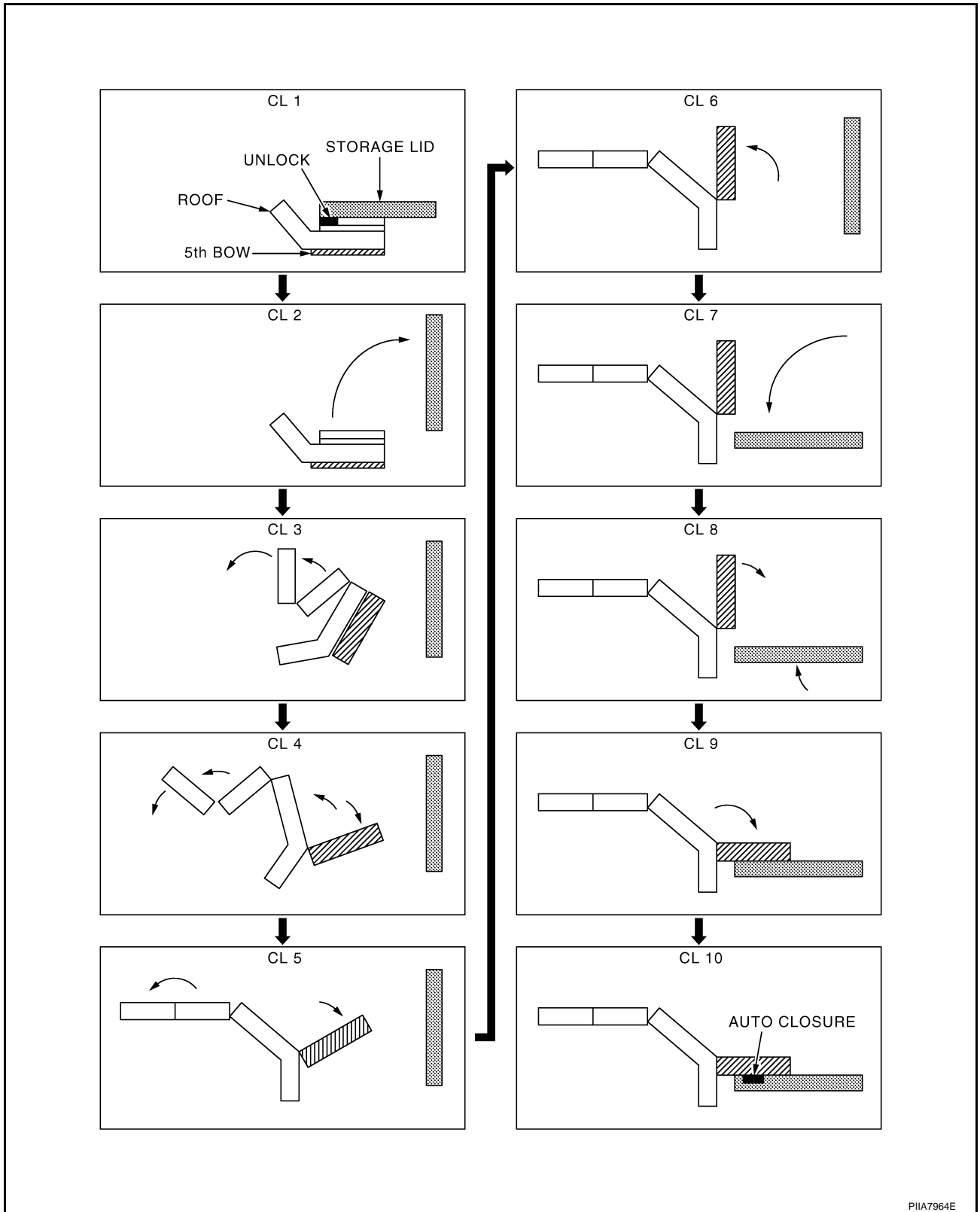


PIIA7965E

SOFT TOP

OPEN → CLOSE

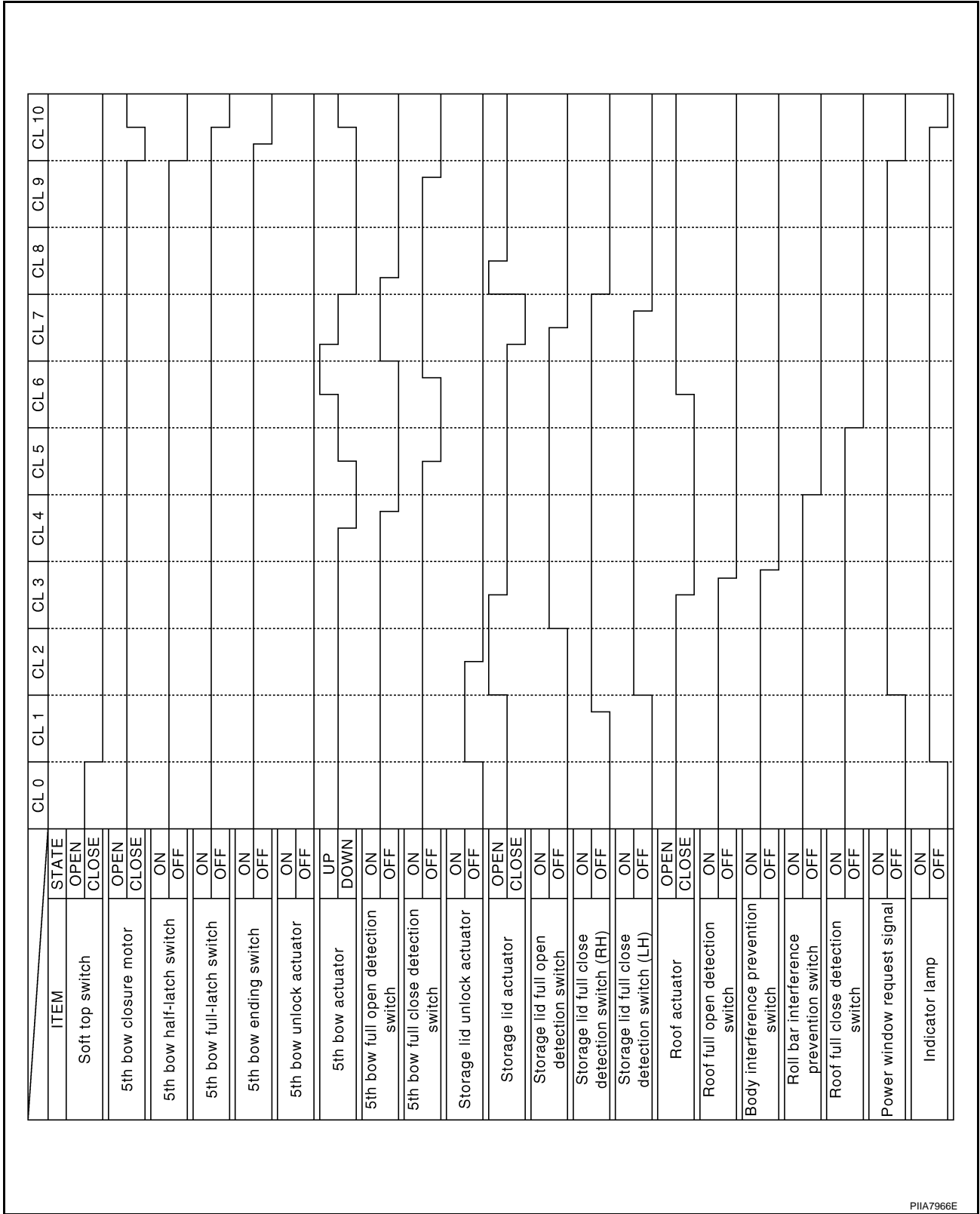
State Chart



A
B
C
D
E
F
G
H
RF
J
K
L
M

SOFT TOP

Each Switch and Actuator Signal Chart



PIIA7966E

SOFT TOP

AI5005Z6

Indicator Lamp

The indicator lights, turns off or blinks according to the operating state.

Turns OFF : The operation stops or completes or any switch is malfunctioning

Lights : The soft top is operating or the operation stops on the way

Blinks : The soft top can not operate or stops operation by malfunction

State of roof		The operation stops when the soft top is;		Operation
		full open or full close	in position on the way	
Operational condition		Turning off	Lighting	Lighting
Out of operational condition	When battery voltage decreases remarkably	Turning off	Lighting	Lighting
	Brake pedal is not depressed	Turning off	Lighting	Lighting
	Vehicle speed is 5 km/h (3 MPH) or more	Turning off	Lighting	Lighting
	Ignition switch: OFF	Turning off	Turning off*	Turning off*
Malfunction of	any switch of the system	Turning off	Lighting	Blinking
	soft top control unit	Blinking	Blinking	Blinking
	vehicle speed signal	Blinking	Blinking	Blinking

*: The soft top operates for approximately 30 seconds after turn ignition switch OFF.

A
B
C
D
E
F
G
H
J
K
L
M

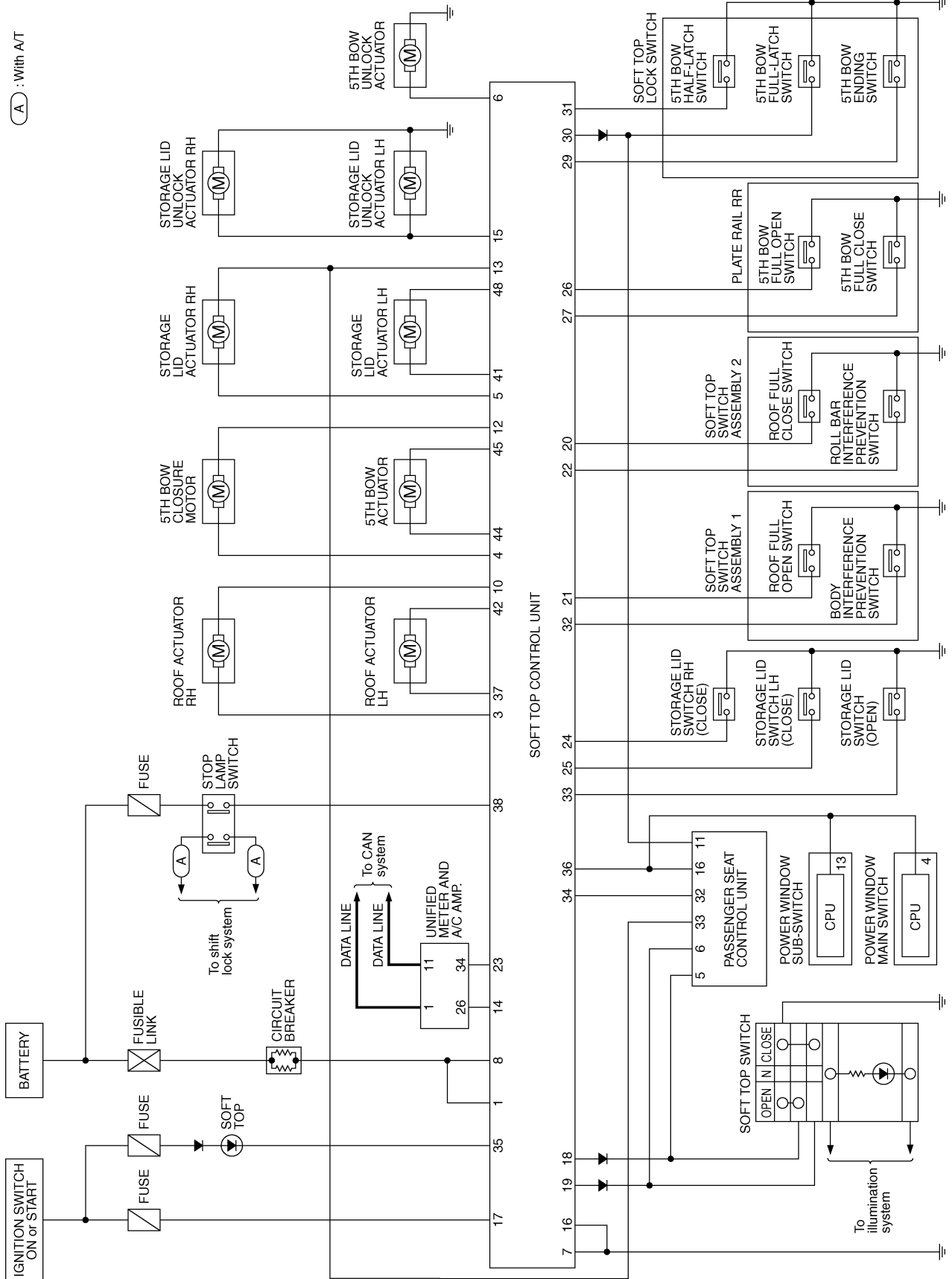
RF

SOFT TOP

Schematic

AIS005Z7

(A) : With A/T

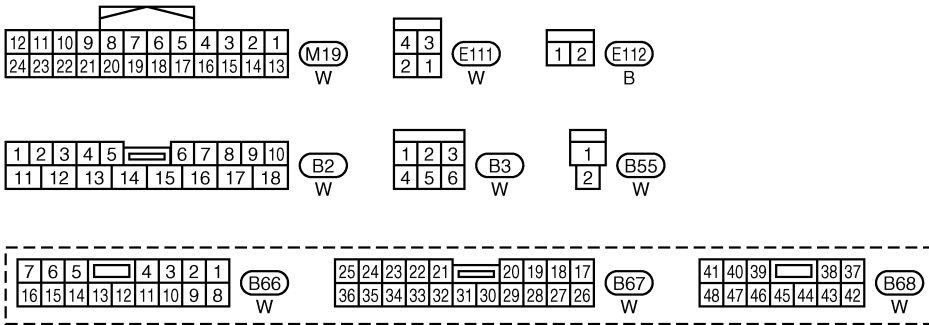
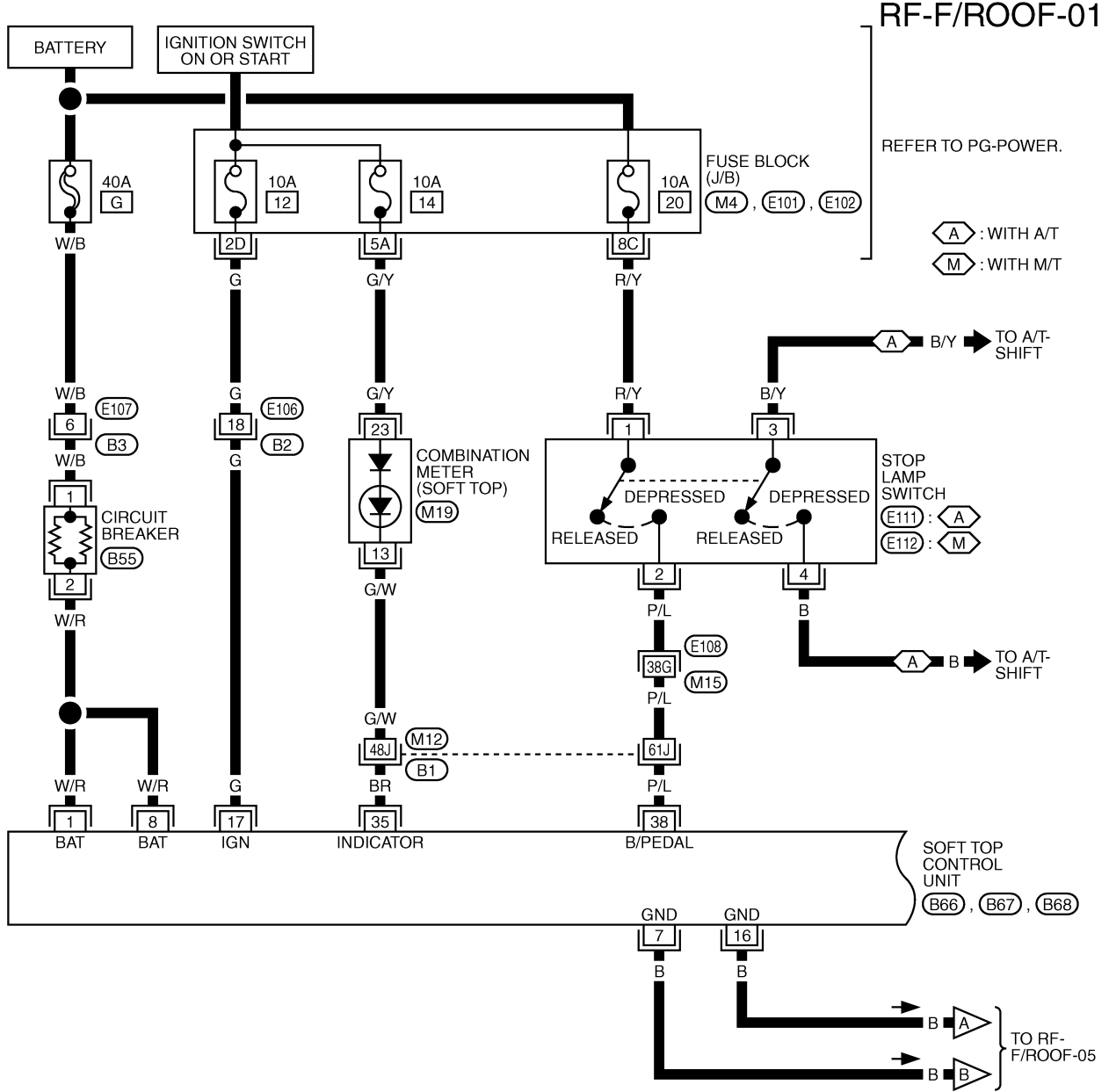


TIWT0523E

SOFT TOP

AI500528

Wiring Diagram

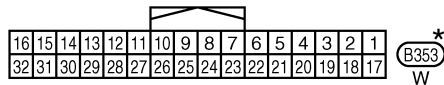
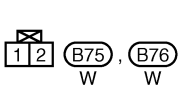
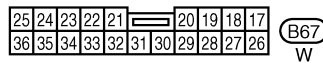
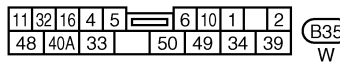
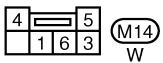
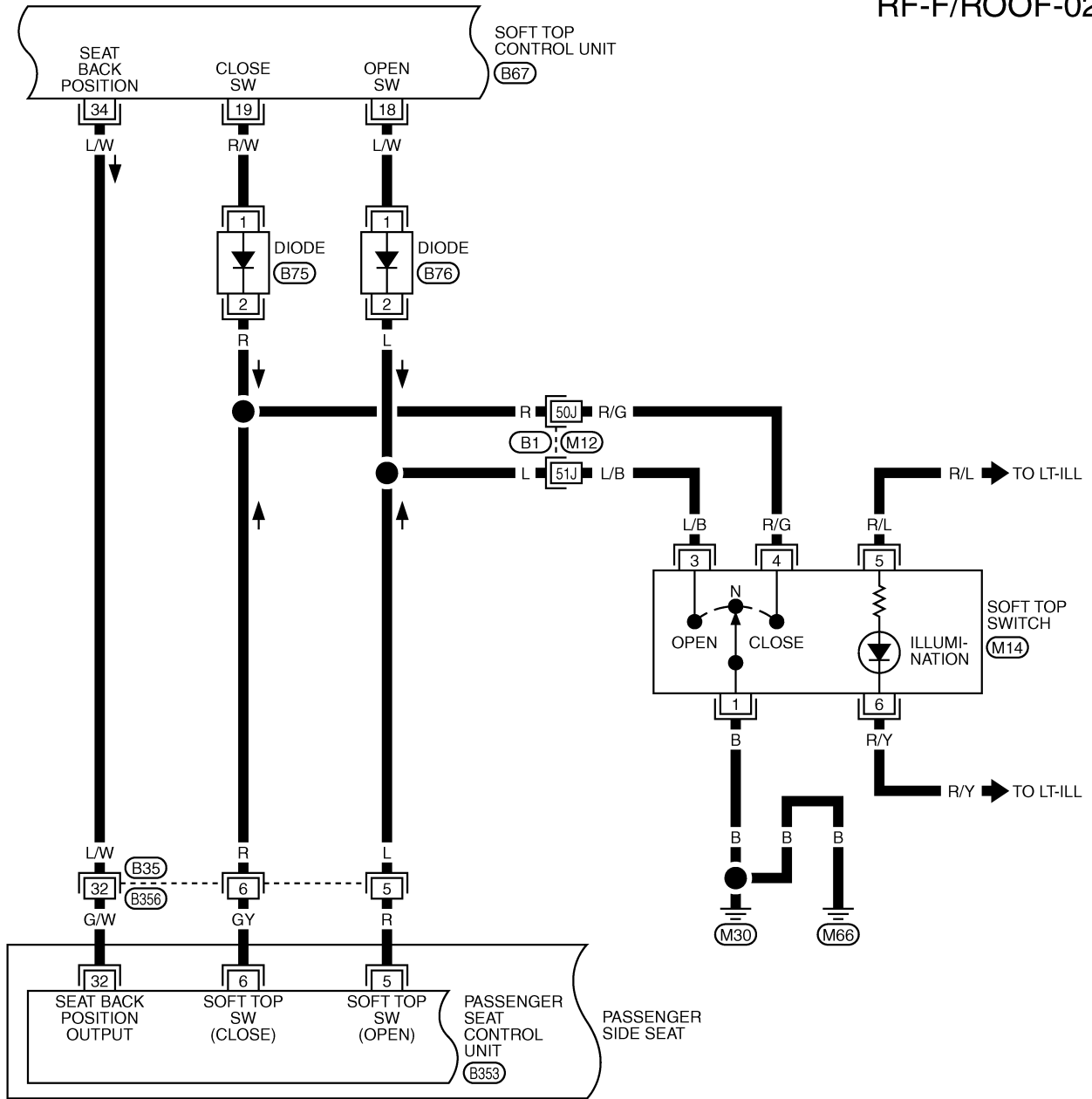


REFER TO THE FOLLOWING.

E108 , B1 -SUPER MULTIPLE JUNCTION (SMJ)

M4 , E101 , E102 -FUSE BLOCK- JUNCTION BOX (J/B)

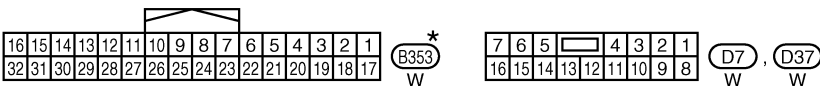
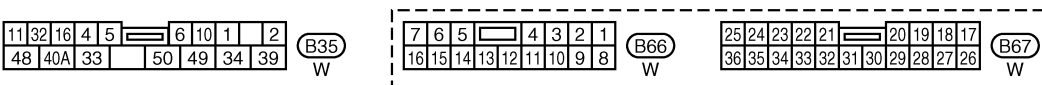
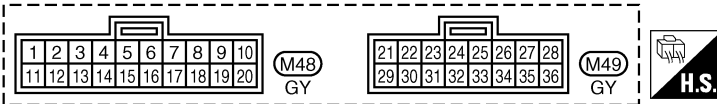
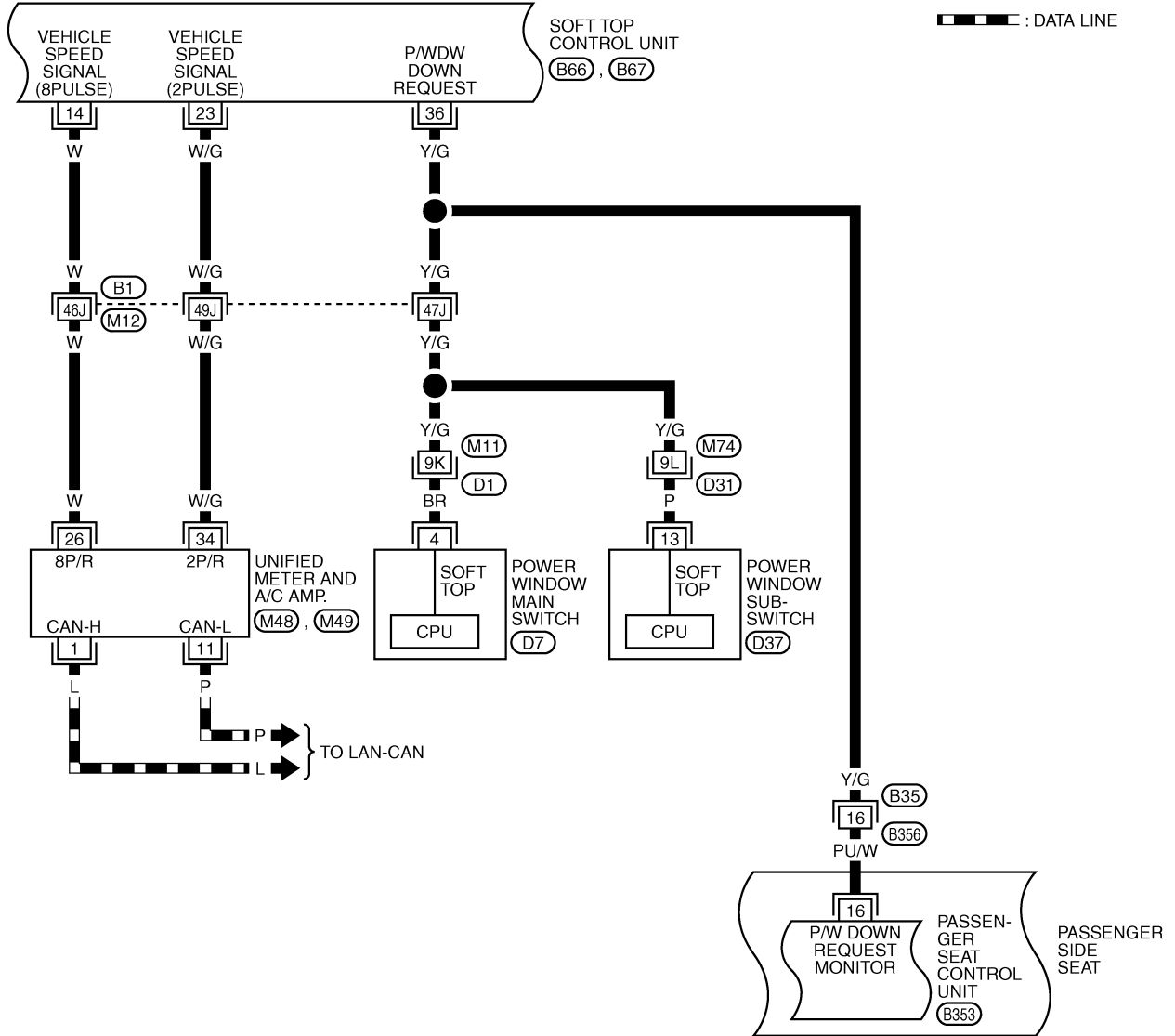
T1WT0765E



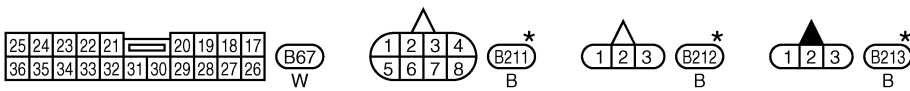
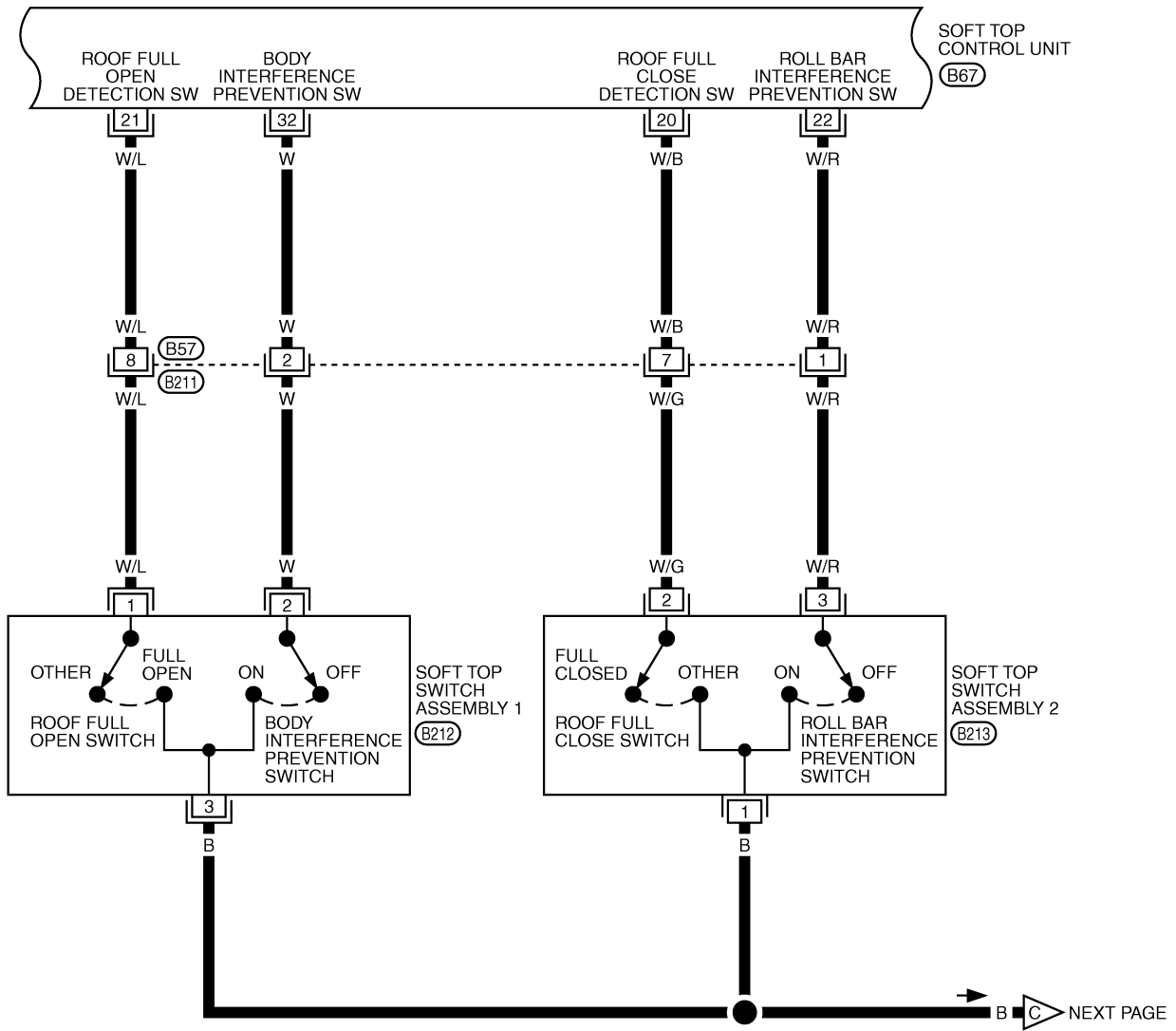
REFER TO THE FOLLOWING.
 (B1) -SUPER MULTIPLE JUNCTION (SMJ)

*: THIS CONNECTOR IS NOT SHOWN IN "HARNES LAYOUT", PG SECTION.

A
B
C
D
E
F
G
H
RF
J
K
L
M



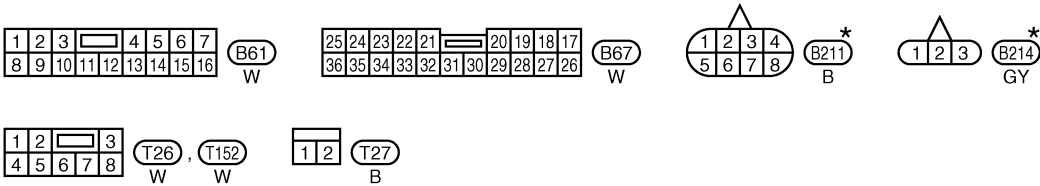
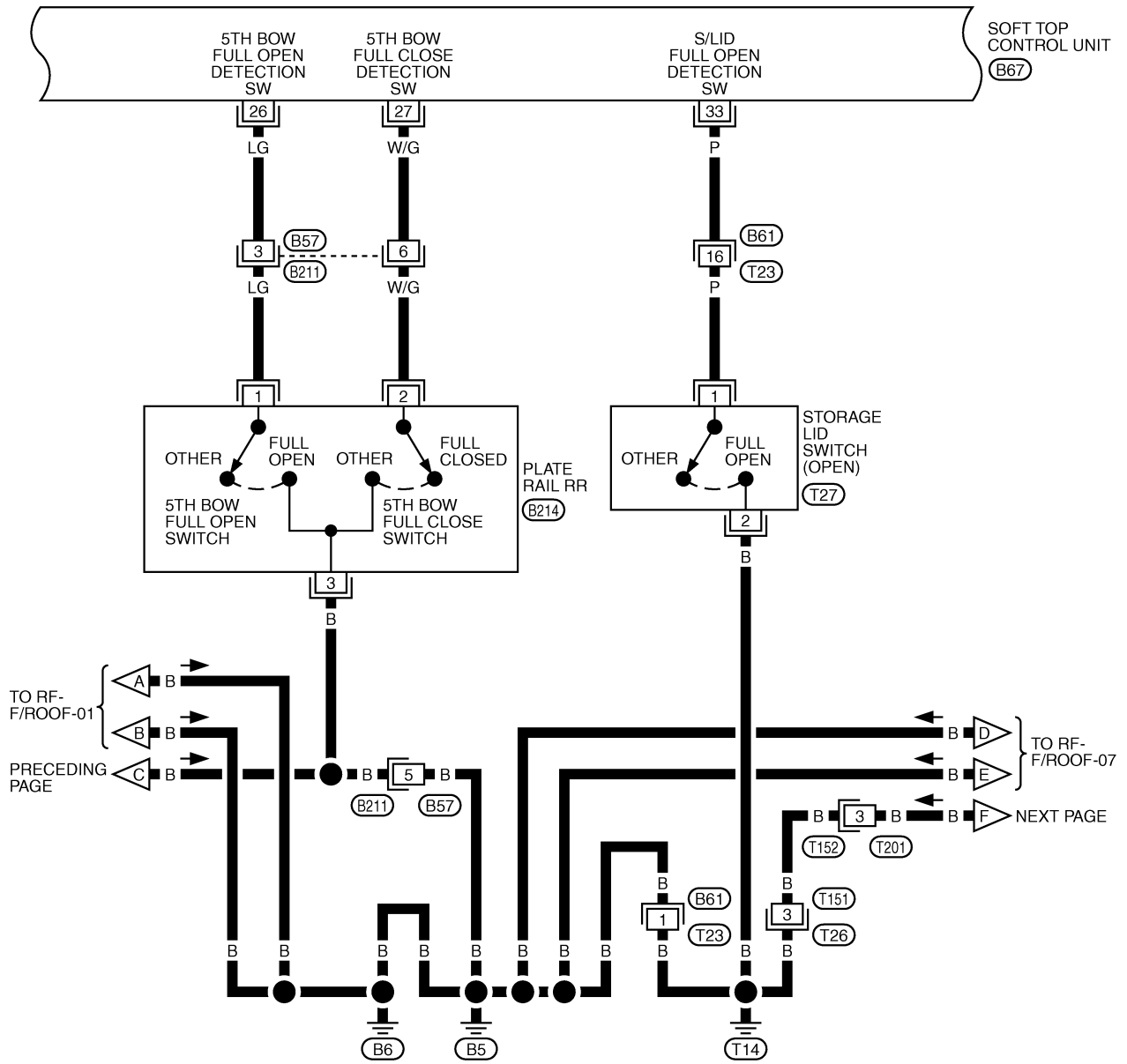
*: THIS CONNECTOR IS NOT SHOWN IN "HARNESS LAYOUT", PG SECTION.



*: THIS CONNECTOR IS NOT SHOWN IN "HARNESS LAYOUT", PG SECTION.

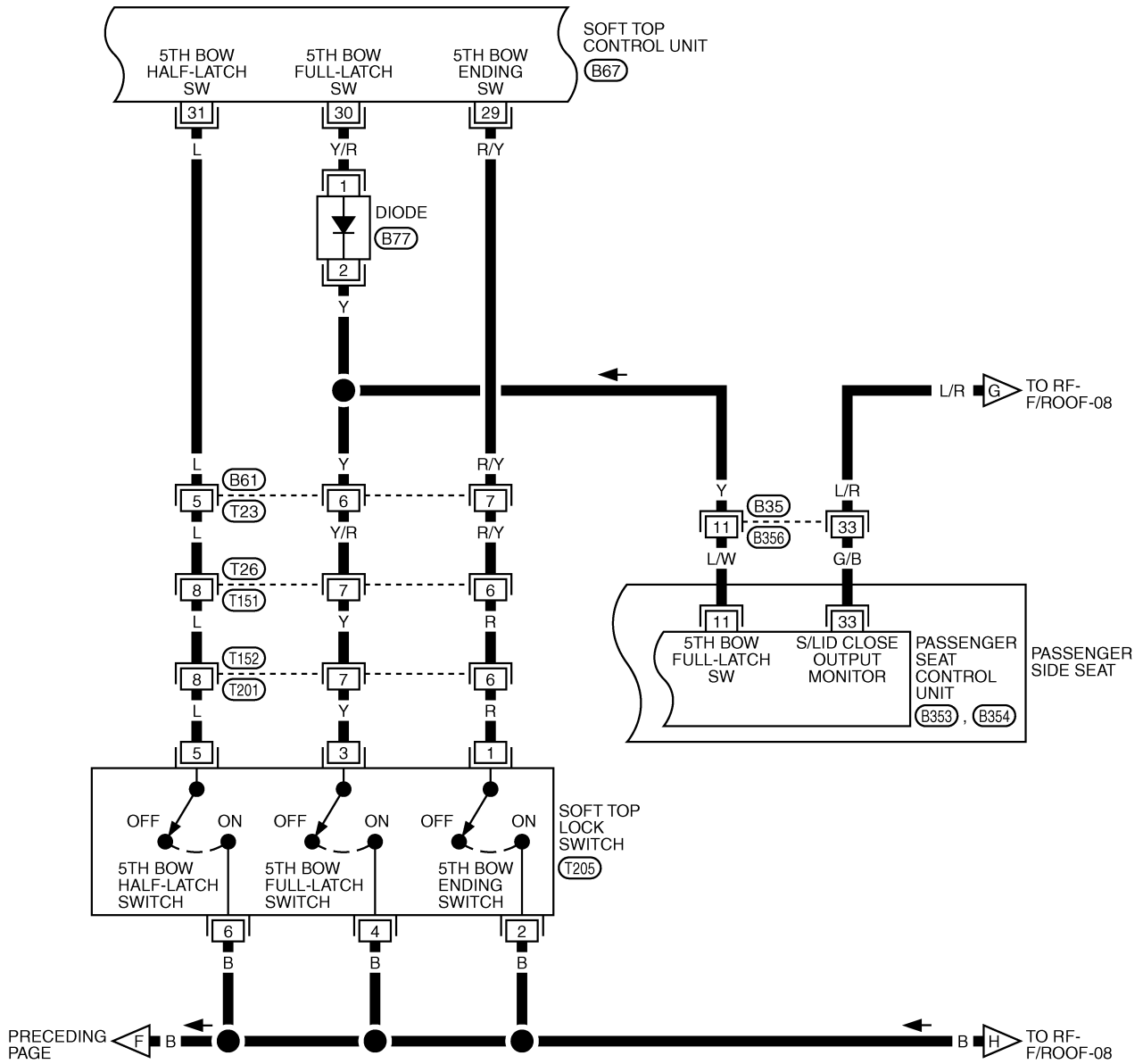
SOFT TOP

RF-F/ROOF-05



*: THIS CONNECTOR IS NOT SHOWN IN "HARNESS LAYOUT", PG SECTION.

TIWT0767E



11	32	16	4	5	6	10	1	2
48	40A	33		50	49	34	39	

(B35) W

1	2	3	4	5	6	7
8	9	10	11	12	13	14

(B61) W

25	24	23	22	21	20	19	18	17
36	35	34	33	32	31	30	29	28

(B67) W

1	2
---	---

(B77) W

16	15	14	13	12	11	10	9	8	7	6	5	4	3	2	1
32	31	30	29	28	27	26	25	24	23	22	21	20	19	18	17

(B353) W

39	38	37	36	35	34	33
48	47	46	45	44	43	42

(B354) W

1	2	3
4	5	6

(T26) W

1	2
3	4

(T152) W

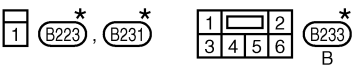
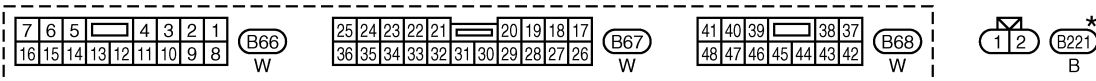
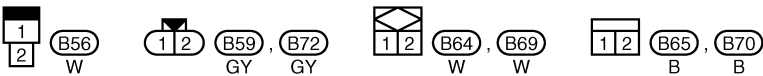
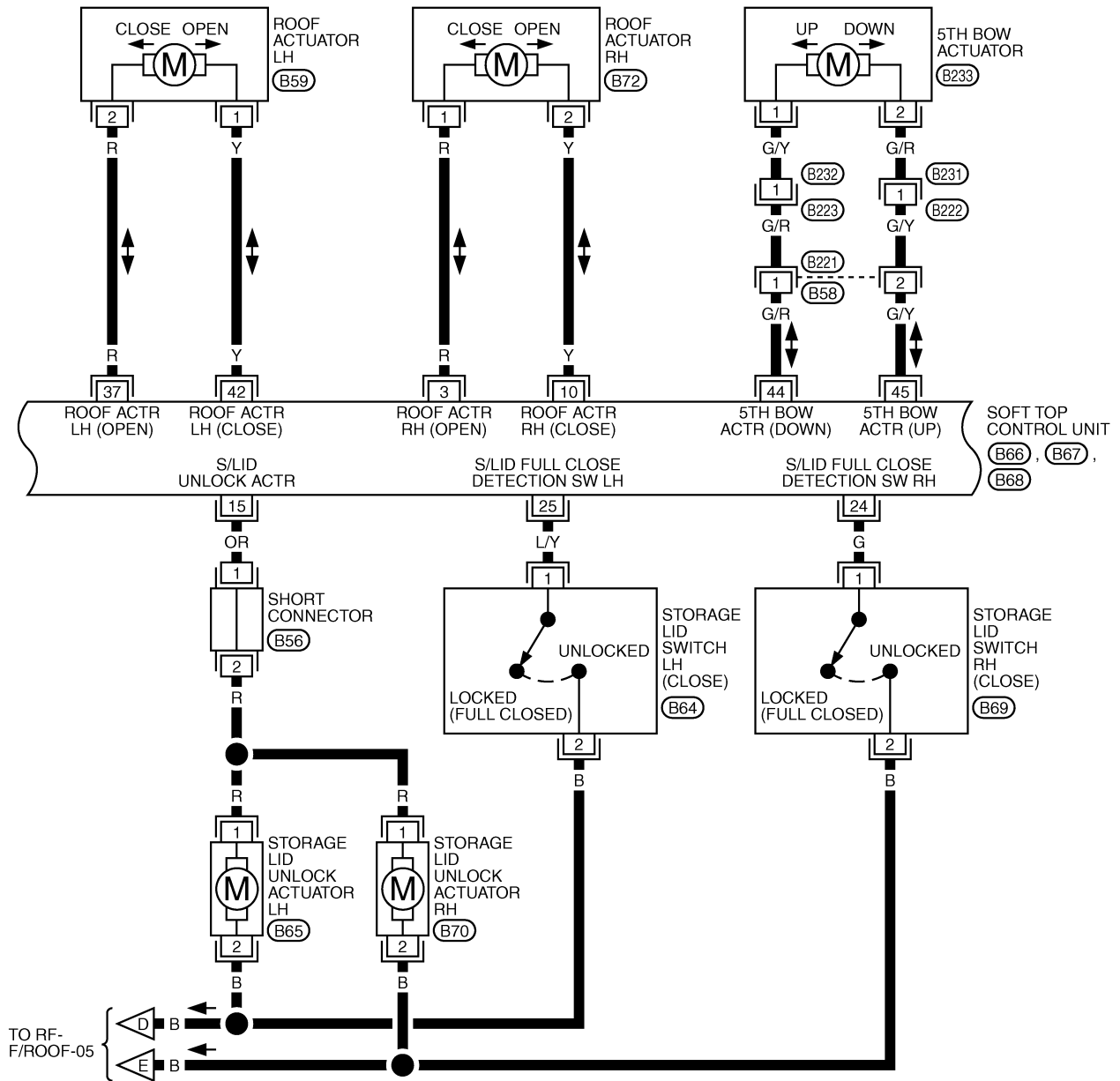
2	1
6	3

(T205) W

*: THIS CONNECTOR IS NOT SHOWN IN "HARNESS LAYOUT", PG SECTION.

SOFT TOP

RF-F/ROOF-07

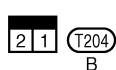
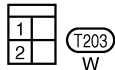
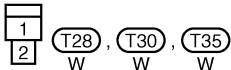
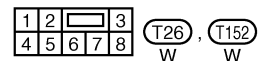
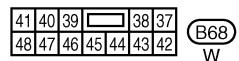
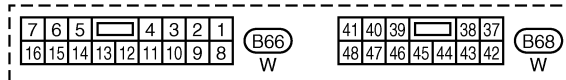
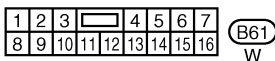
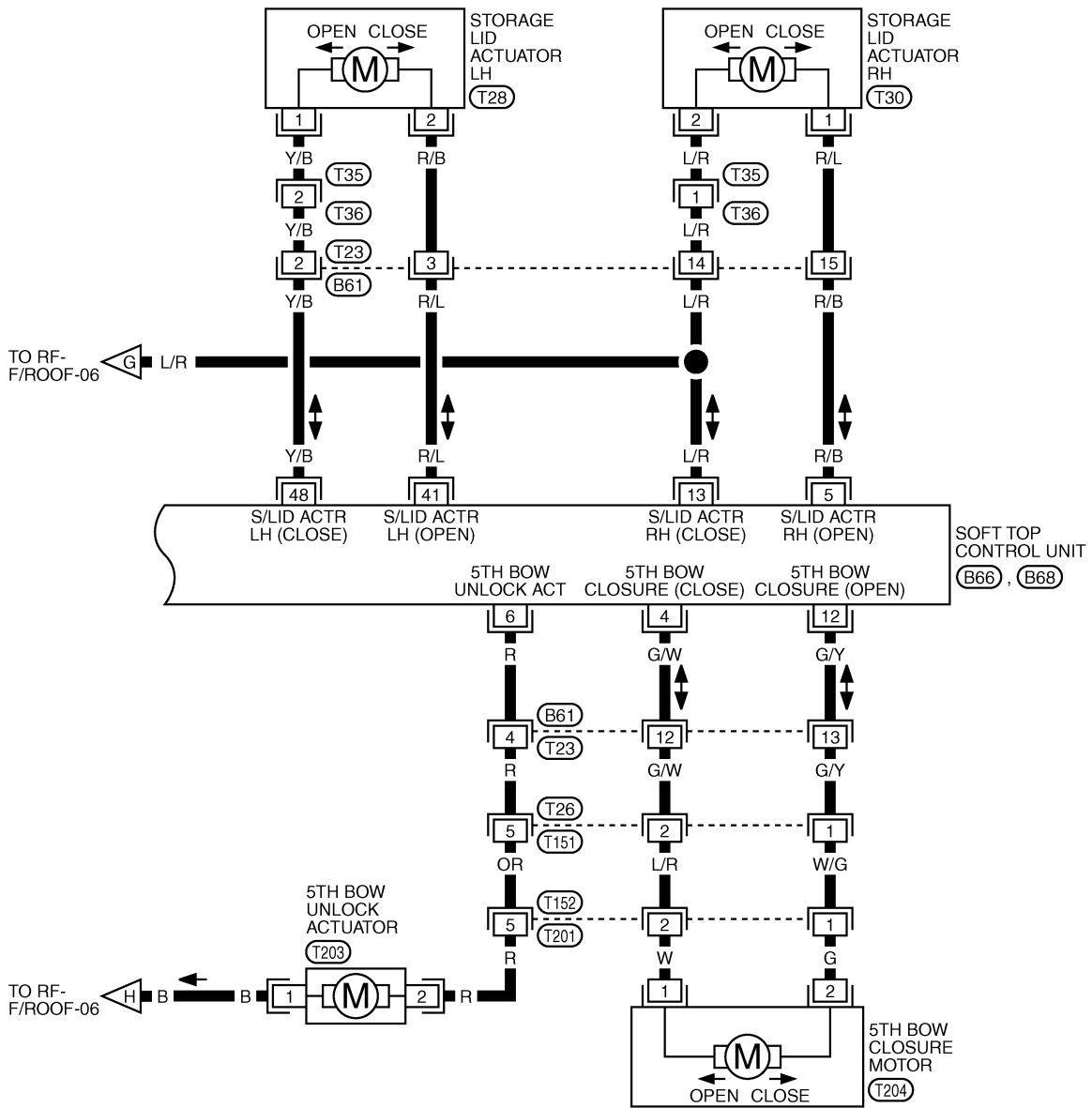


*: THIS CONNECTOR IS NOT SHOWN IN "HARNESS LAYOUT", PG SECTION.

TIWT0769E

SOFT TOP

RF-F/ROOF-08



TIWT1084E

SOFT TOP

Terminal and Reference Value of Soft Top Control Unit CLOSE → OPEN OPERATION

AI500529

The operation chart for roof position. Refer to [RF-19, "State Chart"](#).

Terminal	Wire color	Item	Condition (Roof position: OP)	Voltage (V) (Approx.)
1	W/R	Battery power supply	—	Battery voltage
3	R	Roof actuator RH (OPEN) signal	OP8 → OP11	0 → Battery voltage → 0
			Other than above	0
4	G/W	5th bow closure motor (CLOSE) signal	—	0
5	R/B	Storage lid actuator RH (OPEN) signal	OP6 → OP7	0 → Battery voltage → 0
			OP12	
			Other than above	0
6	R	5th bow unlock actuator signal	OP2 → OP3	0 → Battery voltage → 0
			Other than above	0
7	B	Ground	—	0
8	W/R	Battery power supply	—	Battery voltage
10	Y	Roof actuator RH (CLOSE) signal	—	0
12	G/Y	5th bow closure motor (OPEN) signal	OP4	0 → Battery voltage → 0
			Other than above	0
13	L/R	Storage lid actuator RH (CLOSE) signal	OP11 → OP12	0 → Battery voltage → 0
			Other than above	0
14	W	Speed signal (8 pulse)	Speed meter operate [When vehicle speed is Approx. 40km/h (25 MPH)]	
15	OR	Storage lid unlock actuator signal	OP5 → OP6	0 → Battery voltage → 0
			Other than above	0
16	B	Ground	—	0
17	G	Ignition switch (ON or START)	Ignition switch (ON or START position)	Battery voltage
18	L/W	Soft top switch (OPEN) signal	Soft top switch open operate	0
			Other than above	5
19	R/W	Soft top switch (CLOSE) signal	Soft top switch close operate	0
			Other than above	5
20	W/B	Roof full close detection switch signal	OP8	5 → 0
21	W/L	Roof full open detection switch signal	OP11	5 → 0
22	W/R	Roll bar interference prevention switch signal	OP9	5 → 0

A
B
C
D
E
F
G
H
RF
J
K
L
M

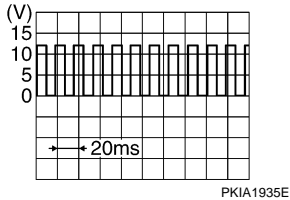
SOFT TOP

Terminal	Wire color	Item	Condition (Roof position: OP)	Voltage (V) (Approx.)
23	W/G	Speed signal (2 pulse)	Speed meter operate [When vehicle speed is Approx. 40 km/h (25 MPH)]	
24	G	Storage lid full close detection switch (RH) signal	OP5 → OP12	5 → 0 → 5
25	L/Y	Storage lid full close detection switch (LH) signal	OP6 → OP11	5 → 0 → 5
26	LG	5th bow full open detection switch signal	OP5 → OP7	5 → 0 → 5
			OP10	5 → 0
27	W/G	5th bow full close detection switch signal	OP4 → OP8	5 → 0 → 5
			OP9	5 → 0
29	R/Y	5th bow ending switch signal	OP4	5 → 0
30	Y/R	5th bow full-latch switch signal	OP4	5 → 0
31	L	5th bow half-latch switch signal	OP3	5 → 0
32	W	Body interference prevention switch signal	OP10	5 → 0
33	P	Storage lid full open detection switch signal	OP7 → OP11	5 → 0 → 5
34	L/W	Seat back position signal	When passenger seat inclines forward	0
			Other than above	5
35	BR	Indicator lamp signal	OP1 → OP12	0
			Other than above	Battery voltage
36	Y/G	Power window down signal	OP1 → OP11	0
			Other than above	5
37	R	Roof actuator LH (OPEN) signal	OP8 → OP11	0 → Battery voltage → 0
			Other than above	0
38	P/L	Brake pedal signal	Brake pedal : Depressed	Battery voltage
			: Released	0
41	R/L	Storage lid actuator LH (OPEN) signal	OP6 → OP7	0 → Battery voltage → 0
			OP12	
			Other than above	0
42	Y	Roof actuator LH (CLOSE) signal	—	0
44	G/R	5th bow actuator (DOWN) signal	OP7 → OP8	0 → Battery voltage → 0
			Other than above	0
45	G/Y	5th bow actuator (UP) signal	OP3 → OP5	0 → Battery voltage → 0
			OP9 → OP10	
			Other than above	0
48	Y/B	Storage lid actuator LH (CLOSE) signal	OP11 → OP12	0 → Battery voltage → 0
			Other than above	0

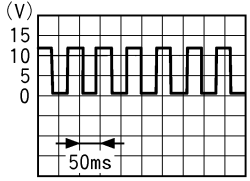
SOFT TOP

OPEN → CLOSE OPERATION

The operation chart for roof position. Refer to [RF-21, "State Chart"](#) .

Terminal	Wire color	Item	Condition (Roof position: CL)	Voltage (V) (Approx.)
1	W/R	Battery power supply	—	Battery voltage
3	R	Roof actuator RH (OPEN) signal	—	0
4	G/W	5th bow closure motor (CLOSE) signal	CL10	0 → Battery voltage → 0
			Other than above	0
5	R/B	Storage lid actuator RH (OPEN) signal	CL2 → CL3	0 → Battery voltage → 0
			CL8	
			Other than above	0
6	R	5th bow unlock actuator signal	—	0
7	B	Ground	—	0
8	W/R	Battery power supply	—	Battery voltage
10	Y	Roof actuator RH (CLOSE) signal	CL3 → CL6	0 → Battery voltage → 0
			Other than above	0
12	G/Y	5th bow closure motor (OPEN) signal	—	0
13	L/R	Storage lid actuator RH (CLOSE) signal	CL7 → CL8	0 → Battery voltage → 0
			Other than above	0
14	W	Speed signal (8 pulse)	Speed meter operate [When vehicle speed is Approx. 40 km/h (25 MPH)]	
15	OR	Storage lid unlock actuator signal	CL1 → CL2	0 → Battery voltage → 0
			Other than above	0
16	B	Ground	—	0
17	G	Ignition switch (ON or START)	Ignition switch (ON or START position)	Battery voltage
18	L/W	Soft top switch (OPEN) signal	Soft top switch open operate	0
			Other than above	5
19	R/W	Soft top switch (CLOSE) signal	Soft top switch close operate	0
			Other than above	5
20	W/B	Roof full close detection switch signal	CL6	0 → 5
21	W/L	Roof full open detection switch signal	CL3	0 → 5
22	W/R	Roll bar interference prevention switch signal	CL5	0 → 5

SOFT TOP

Terminal	Wire color	Item	Condition (Roof position: CL)	Voltage (V) (Approx.)
23	W/G	Speed signal (2 pulse)	Speed meter operate [When vehicle speed is Approx. 40 km/h (25 MPH)]	 PIIB0078J
24	G	Storage lid full close detection switch (RH) signal	CL1 → CL8	5 → 0 → 5
25	L/Y	Storage lid full close detection switch (LH) signal	CL2 → CL7	5 → 0 → 5
26	LG	5th bow full open detection switch signal	CL4	0 → 5
			CL7	5 → 0
			CL8	0 → 5
27	W/G	5th bow full close detection switch signal	CL5 → CL6	0 → 5 → 0
			CL9	0 → 5
29	R/Y	5th bow ending switch signal	CL10	0 → 5
30	Y/R	5th bow full-latch switch signal	CL10	0 → 5
31	L	5th bow half-latch switch signal	CL9 → CL10	0 → 5
32	W	Body interference prevention switch signal	CL3	0 → 5
33	P	Storage lid full open detection switch signal	CL3 → CL7	5 → 0 → 5
34	L/W	Seat back position signal	When passenger seat inclines forward	0
			Other than above	5
35	BR	Indicator lamp signal	CL1 → CL10	0
			Other than above	Battery voltage
36	Y/G	Power window down signal	CL1 → CL10	0
			Other than above	5
37	R	Roof actuator LH (OPEN) signal	—	0
38	P/L	Brake pedal signal	Brake pedal : Depressed	Battery voltage
			: Released	0
41	R/L	Storage lid actuator LH (OPEN) signal	CL2 → CL3	0 → Battery voltage → 0
			CL8	
			Other than above	0
42	Y	Roof actuator LH (CLOSE) signal	CL3 → CL6	0 → Battery voltage → 0
44	G/R	5th bow actuator (DOWN) signal	CL4 → CL5	0 → Battery voltage → 0
			CL8 → CL10	
45	G/Y	5th bow actuator (UP) signal	CL6 → CL7	0 → Battery voltage → 0
48	Y/B	Storage lid actuator LH (CLOSE) signal	CL7 → CL8	0 → Battery voltage → 0
			Other than above	0

SOFT TOP

Work Flow

AI S005ZA

1. Check the symptom and customer's requests.
2. Understand the outline of system. Refer to [RF-12, "System Description"](#) .
3. According to the trouble diagnosis chart, repair or replace the cause of the malfunction. Refer to [RF-37, "Trouble Diagnosis Chart by Symptom"](#) .
4. Does soft top system operate normally? If Yes, GO TO 5. If No, GO TO 3.
5. INSPECTION END.

Trouble Diagnosis Chart by Symptom (CLOSE → OPEN)

AI S005ZB

The operation chart for roof position. Refer to [RF-19, "State Chart"](#) .

Symptom	Diagnostic procedure and repair order	Roof position	Refer to page
Roof does not operate	1. Soft top control unit power supply check	OP1	RF-39
	2. Soft top switch (Open) check	OP1	RF-39
	3. Operation permission condition check	OP1	RF-76
	4. Each switch condition check (Open operate)	Full close	RF-79
	5. Seat back position signal check	OP1	RF-82
	6. 5th bow unlock actuator check (Open operate)	OP2	RF-43
	7. 5th bow half-latch switch check (Open operate)	OP2	RF-43
	8. 5th bow actuator check (Open operate)	OP3	RF-45
5th bow operation stops at full open position	1. 5th bow full close detection switch check (Open operate)	OP4	RF-45
	2. 5th bow full open detection switch check (Open operate)	OP5	RF-47
	3. Storage lid unlock actuator check (Open operate)	OP5	RF-48
	4. Storage lid full close detection switch (LH and RH) check (Open operate)	OP5.6	RF-49
	5. Storage lid actuator check (Open operate)	OP6	RF-51
Storage lid operation stops at full open position	1. Storage lid full open detection switch check (Open operate)	OP7	RF-52
Roof does not operate	1. Roof actuator check (Open operate)	OP8	RF-54
Roof stops on the way	1. Roll bar interference prevention switch check (Open operate)	OP8	RF-55
Storage lid operation stops at full open position after the roof is stored.	1. Body interference prevention switch check (Open operate)	OP10	RF-56
	2. Roof full open detection switch check	OP10	RF-57
Passenger side seat back does not operate.	1. Passenger side seat cancel switch check	OP1	SE-50
	2. Passenger side seat operate signal check 1	OP1	RF-81
Passenger side seat back does not return to former state	1. Passenger side seat operate signal check 2	OP10	RF-82
Power window down does not operate.	1. Power window harness check	OP1	RF-81
Both power window down and passenger seat are not operated.	1. Power window down request signal check	OP1	RF-80
Indicator lamp does not light. (soft top operates properly)	1. Indicator lamp circuit check	—	RF-84

SOFT TOP

Symptom	Diagnostic procedure and repair order	Roof position	Refer to page
Indicator lamp blinks when IGN SW : OFF → ON is done.	1. Replace soft top control unit	—	RF-85
Indicator lamp blinks when beginning to run.	1. Speed signal check	—	RF-83

(OPEN → CLOSE)

The operation chart for roof position. Refer to [RF-21, "State Chart"](#) .

Symptom	Diagnostic procedure and repair order	Roof position	Refer to page
Roof does not operate	1. Soft top control unit power supply check	CL1	RF-39
	2. Soft top switch (Close) check	CL1	RF-41
	3. Operation permission condition check	CL1	RF-76
	4. Each switch condition check (Close operate)	Full open	RF-80
	5. Seat back position signal check	CL1	RF-82
	6. Storage lid unlock actuator check (Close operate)	CL1	RF-58
	7. Storage lid full close detection switch (LH and RH) check (Close operate)	CL1.2	RF-59
	8. Storage lid actuator check (Close operate)	CL2	RF-61
Storage lid operation stops at full open position	1. Roof actuator check (Close operate)	CL2	RF-65
	2. Body interference prevention switch check (Close operate)	CL3	RF-64
Roof stops on the way	1. Storage lid full open detection switch check (Close operate)	CL3	RF-62
	2. Roof full close detection switch check (Close operate)	CL5	RF-66
	3. 5th bow actuator check (Close operate)	CL5	RF-68
Operation stops after 5th bow operates down	1. 5th bow full close detection switch check (Close operate)	CL5	RF-68
Operation stops after 5th bow operates up	1. 5th bow full open detection switch check (Close operate)	CL6	RF-70
Auto closure of 5th bow does not operate.	1. 5th bow half-latch switch check	CL10	RF-71
	2. 5th bow full-latch switch check	CL10	RF-72
	3. 5th bow ending switch check	CL10	RF-74
	4. 5th bow closure motor check	CL10	RF-75
Passenger side seat back does not operate.	1. Passenger side seat cancel switch check	CL1	SE-50
	2. Passenger side seat operate signal check 1	CL1	RF-81
Passenger side seat back does not return to former state	1. Passenger side seat operate signal check 3	CL10	RF-82
Power window down does not operate.	1. Power window harness check	CL1	RF-81
Both power window down and passenger seat are not operated.	1. Power window down request signal check	CL1	RF-80
Indicator lamp does not light. (soft top operates properly)	1. Indicator lamp circuit check	—	RF-84
Indicator lamp blinks when IGN SW : OFF → ON is done.	1. Replace soft top control unit	—	RF-85
Indicator lamp blinks when beginning to run.	1. Speed signal check	—	RF-83

SOFT TOP

Soft Top Control Unit Power Supply Check (OP, CL)

AIS005ZC

1. CHECK FUSE

- Check 10A fuse [No.12, located in the fuse block (J/B)]
- Check 40A fusible link (letter **G** located in the fuse and fusible link box.)

NOTE:

Refer to [RF-11, "Component Parts and Harness Connector Location"](#) .

OK or NG

OK >> GO TO 2.

NG >> If fuse blown out, be sure to eliminate cause of malfunction before installing new fuse. Refer to [PG-3, "POWER SUPPLY ROUTING CIRCUIT"](#) .

2. CHECK POWER SUPPLY CIRCUIT

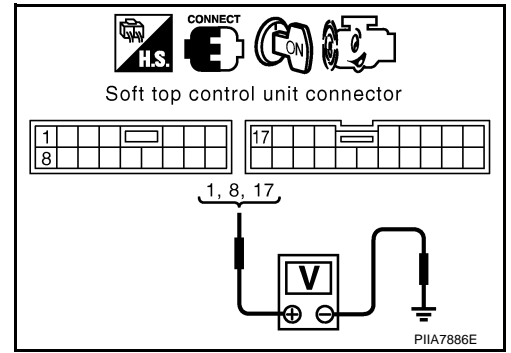
1. Start engine.
2. Check voltage between soft top control unit connector B66, 67 terminal 1, 8, 17 and ground.

- 1 (W/R) - Ground : Battery voltage**
- 8 (W/R) - Ground : Battery voltage**
- 17 (G) - Ground : Battery voltage**

OK or NG

OK >> GO TO 3.

NG >> Check soft top control unit power supply circuit for open or short.



3. CHECK GROUND CIRCUIT

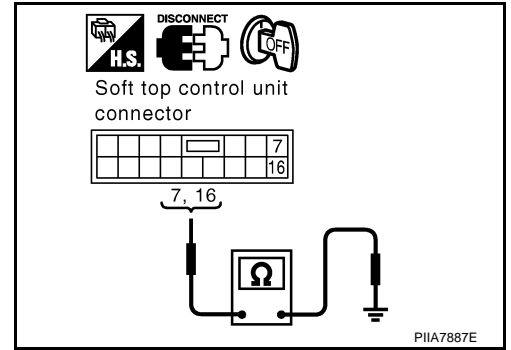
1. Turn ignition switch OFF.
2. Disconnect soft top control unit connector.
3. Check continuity between soft top control unit connector B66 terminal 7, 16 and ground.

- 7 (B) - Ground : Continuity should exist.**
- 16 (B) - Ground : Continuity should exist.**

OK or NG

OK >> Power supply and ground circuit are OK.

NG >> Check soft top control unit ground circuit for open or short.



Soft Top Switch (OPEN) Check

AIS005ZD

1. CHECK SOFT TOP OPEN SWITCH SIGNAL

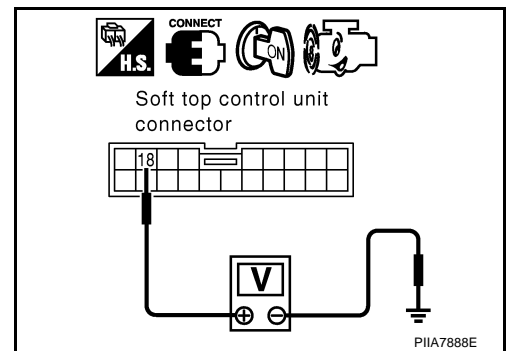
1. Start engine.
2. Check soft top control unit connector and ground.

Connector	Terminal (Wire color)		Soft top switch Condition	Voltage (V) (Approx.)
	(+)	(-)		
B67	18 (L/W)	Ground	OPEN	0
			Other than above	5

OK or NG

OK >> Soft top switch (OPEN) is OK.

NG >> GO TO 2.



SOFT TOP

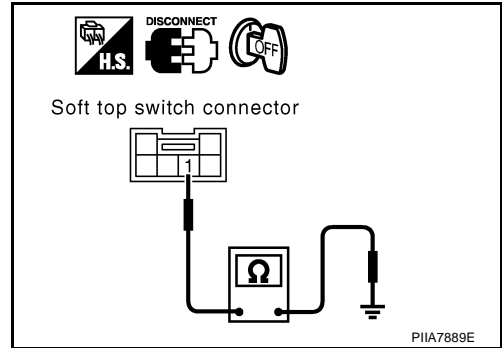
2. CHECK SOFT TOP SWITCH GROUND CIRCUIT

1. Turn ignition switch OFF.
2. Disconnect soft top switch connector.
3. Check continuity between soft top switch connector M14 terminal 1 and ground.

1 (B) - Ground : Continuity should exist.

OK or NG

- OK >> GO TO 3.
 NG >> Repair or replace harness.



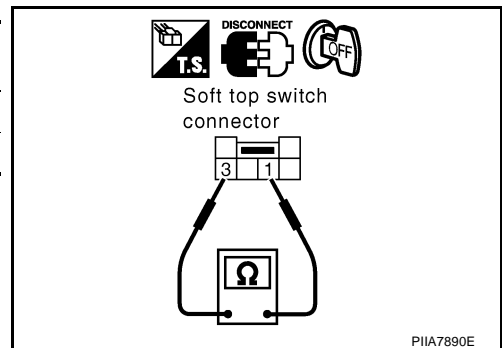
3. CHECK SOFT TOP SWITCH

Soft top switch operate, check continuity between soft top switch connector M14 terminal 1 and 3.

Connector	Terminal		Soft top switch Condition	Continuity
M14	1	3	OPEN	Yes
			Other than above	No

OK or NG

- OK >> GO TO 4.
 NG >> Replace soft top switch.



4. CHECK SOFT TOP SWITCH CIRCUIT

1. Check continuity between soft top control unit connector B67 terminal 18 and soft top switch connector M14 terminal 3.

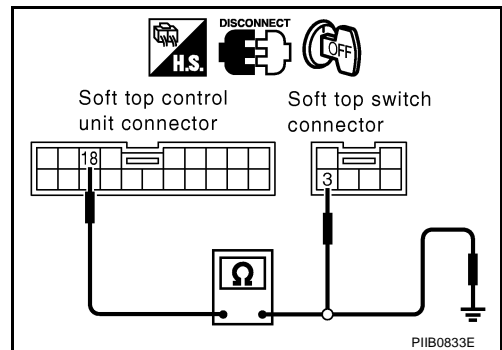
Connector	Terminal (Wire color)	Connector	Terminal (Wire color)	Continuity
	(+)		(-)	
B67	18 (L/W)	M14	3 (L/B)	No
M14	3 (L/B)	B67	18 (L/W)	Yes

2. Check continuity between soft top control unit connector B67 terminal 18 and ground.

18 (L/W) - Ground : Continuity should not exist.

OK or NG

- OK >> GO TO 5.
 NG >> Repair or replace harness.



SOFT TOP

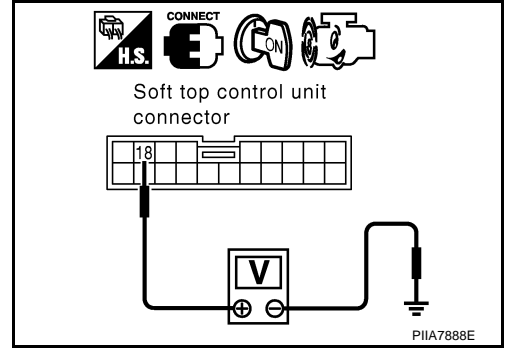
5. CHECK SOFT TOP CONTROL UNIT OUTPUT SIGNAL

1. Connect soft top control unit connector.
2. Start engine.
3. Check voltage between soft top control unit connector B67 terminal 18 and ground.

18 (L/W) - Ground : Approx. 5V

OK or NG

- OK >> Check condition of harness and connector.
 NG >> Replace soft top control unit.



AIS005ZE

Soft Top Switch (CLOSE) Check

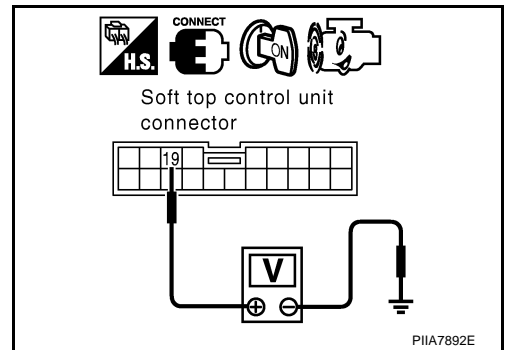
1. CHECK SOFT TOP CLOSE SWITCH SIGNAL

1. Start engine.
2. Check soft top control unit connector and ground.

Connector	Terminal (Wire color)		Soft top switch Condition	Voltage (V) (Approx.)
	(+)	(-)		
B67	19 (R/W)	Ground	CLOSE	0
			Other than above	5

OK or NG

- OK >> Soft top switch (CLOSE) is OK.
 NG >> GO TO 2.



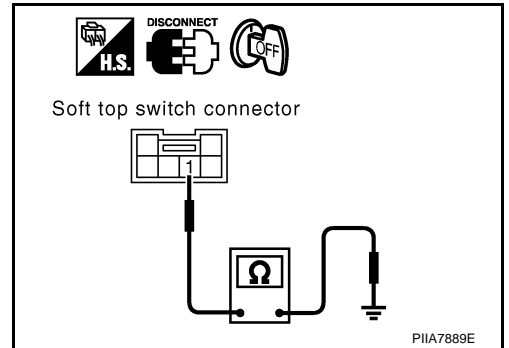
2. CHECK SOFT TOP SWITCH GROUND CIRCUIT

1. Turn ignition switch OFF.
2. Disconnect soft top switch connector.
3. Check continuity between soft top switch connector M14 terminal 1 and ground.

1 (B) - Ground : Continuity should exist.

OK or NG

- OK >> GO TO 3.
 NG >> Repair or replace harness.



SOFT TOP

3. CHECK SOFT TOP SWITCH

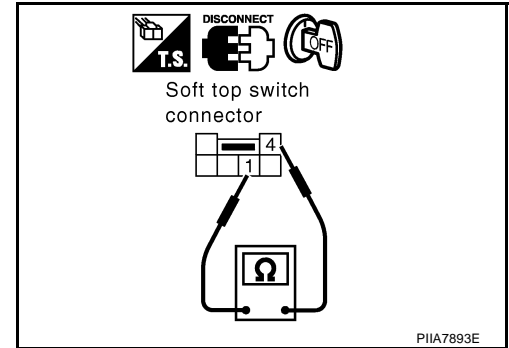
Soft top switch operate, check continuity between soft top switch connector M14 terminal 1 and 4.

Connector	Terminal		Soft top switch Condition	Continuity
	1	4		
M14	1	4	CLOSE	Yes
			Other than above	No

OK or NG

OK >> GO TO 4.

NG >> Replace soft top switch.



4. CHECK SOFT TOP SWITCH CIRCUIT

1. Check continuity between soft top control unit connector B67 terminal 19 and soft top switch connector M14 terminal 4.

Connector	Terminal (Wire color)	Connector	Terminal (Wire color)	Continuity
	(+)		(-)	
B67	19 (R/W)	M14	4 (R/G)	No
M14	4 (R/G)	B67	19 (R/W)	Yes

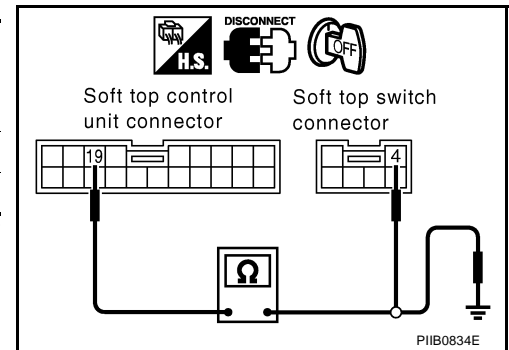
2. Check continuity between soft top control unit connector B67 terminal 19 and ground.

19 (R/W) - Ground : Continuity should not exist.

OK or NG

OK >> GO TO 5.

NG >> Repair or replace harness.



5. CHECK SOFT TOP CONTROL UNIT OUTPUT SIGNAL

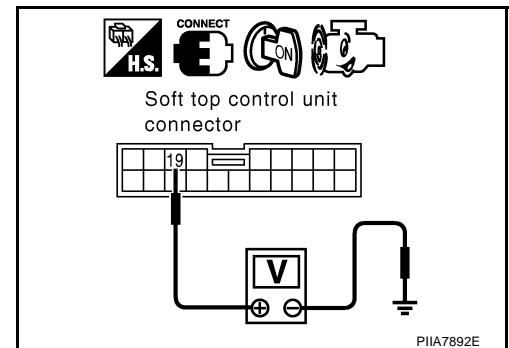
1. Connect soft top control unit connector.
2. Start engine.
3. Check voltage between soft top control unit connector B67 terminal 19 and ground.

19 (R/W) - Ground : Approx. 5V

OK or NG

OK >> Check condition of harness and connector.

NG >> Replace soft top control unit.



SOFT TOP

5th Bow Unlock Actuator Check (Open Operate)

AIS005ZF

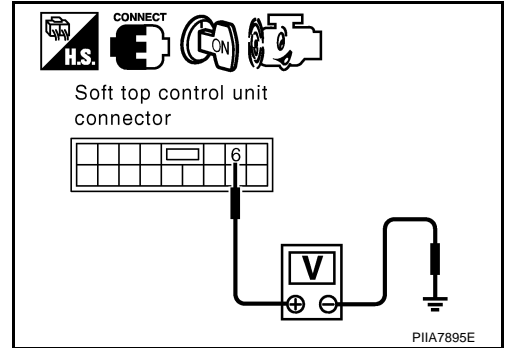
1. CHECK 5TH BOW UNLOCK ACTUATOR SIGNAL

1. Start engine.
2. Operate soft top switch OPEN, check voltage between soft top control unit connector and ground.

Con- nector	Terminal (Wire color)		Roof Condition	Voltage (V) (Approx.)
	(+)	(-)		
B66	6 (R)	Ground	OP1 → OP2	0 → Battery voltage

OK or NG

- OK >> GO TO 2.
 NG >> Replace soft top control unit.



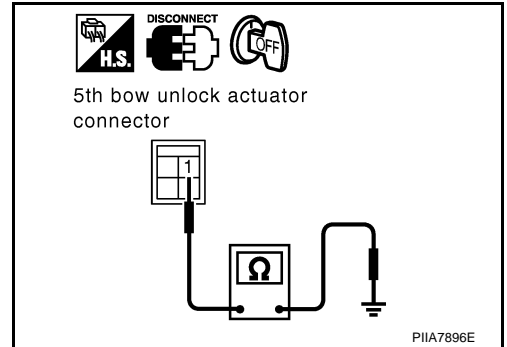
2. CHECK 5TH BOW UNLOCK ACTUATOR GROUND CIRCUIT

1. Turn ignition switch OFF.
2. Disconnect 5th bow unlock actuator connector.
3. Check continuity between 5th bow unlock actuator connector T203 terminal 1 and ground.

1 (B) - Ground : Continuity should exist.

OK or NG

- OK >> Replace 5th bow unlock actuator.
 NG >> Repair or replace harness.



5th Bow Half-Latch Switch Check (Open Operate)

AIS005ZG

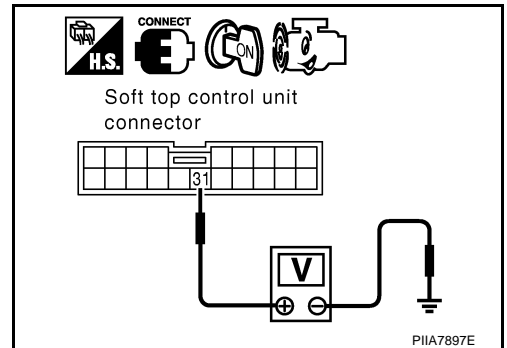
1. CHECK 5TH BOW HALF-LATCH SWITCH SIGNAL CHECK

1. Start engine.
2. Operate soft top switch OPEN, check voltage between soft top control unit connector and ground.

Connector	Terminal (Wire color)		Roof condition	Voltage (V) (Approx.)
	(+)	(-)		
B67	31 (L)	Ground	OP2 → OP3	5 → 0

OK or NG

- OK >> 5th bow half-latch switch is OK.
 NG >> GO TO 2.



SOFT TOP

2. CHECK 5TH BOW HALF-LATCH CIRCUIT

1. Turn ignition switch OFF.
2. Disconnect soft top control unit and soft top lock switch (at 5th bow lock assembly in storage lid) connector.
3. Check continuity between soft top control unit connector B67 terminal 31 and soft top lock switch connector T205 terminal 5.

31 (L) - 5 (L) : Continuity should exist.

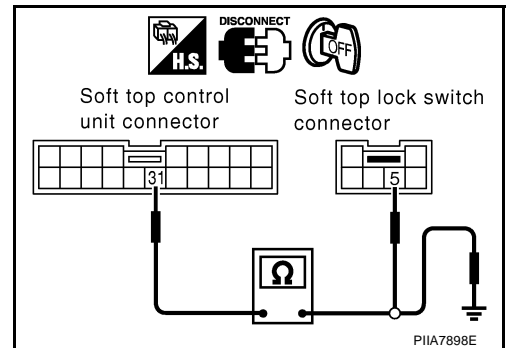
4. Check continuity between soft top control unit connector B67 terminal 31 and ground.

31 (L) - Ground : Continuity should not exist.

OK or NG

OK >> GO TO 3.

NG >> Repair or replace harness.



3. CHECK 5TH BOW HALF-LATCH SWITCH GROUND CIRCUIT

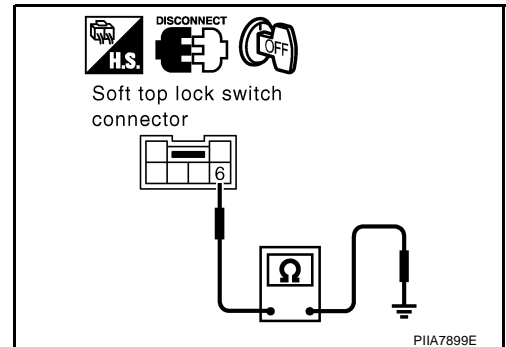
Check continuity between soft top lock switch connector T205 terminal 6 and ground.

6 (B) - Ground : Continuity should exist.

OK or NG

OK >> GO TO 4.

NG >> Repair or replace harness.



4. CHECK SOFT TOP CONTROL UNIT OUTPUT SIGNAL

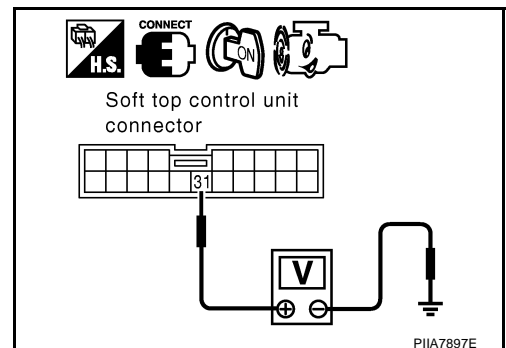
1. Connect soft top control unit connector.
2. Start engine.
3. Check voltage between soft top control unit connector B67 terminal 31 and ground.

31 (L) - Ground : Approx. 5V

OK or NG

OK >> Replace 5th bow lock assembly in storage lid.

NG >> Replace soft top control unit.



SOFT TOP

AIS005ZH

5th Bow Actuator Check (Open Operate)

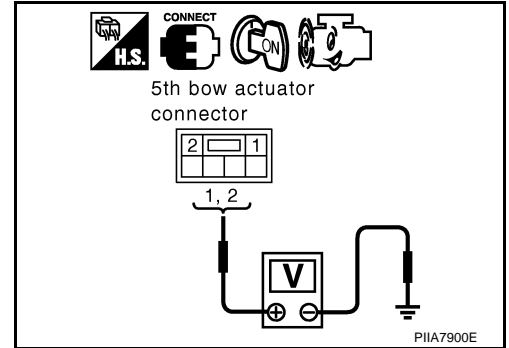
1. CHECK 5TH BOW ACTUATOR INPUT SIGNAL

1. Start engine.
2. Operate soft top switch OPEN, check voltage between 5th bow actuator connector and ground.

Con- nector	Terminal (Wire color)		Roof condition	Voltage (V) (Approx.)
	(+)	(-)		
B233	2 (G/R)	Ground	OP2 → OP3	0 → Battery voltage

OK or NG

- OK >> Replace 5th bow actuator.
 NG >> GO TO 2.



2. CHECK 5TH BOW ACTUATOR CIRCUIT

1. Turn ignition switch OFF.
2. Disconnect soft top control unit and 5th bow actuator connector.
3. Check continuity between soft top control unit connector B68 terminal 44, 45 and 5th bow actuator connector B233 terminal 1, 2.

44 (G/R) - 1 (G/Y) : Continuity should exist.

45 (G/Y) - 2 (G/R) : Continuity should exist.

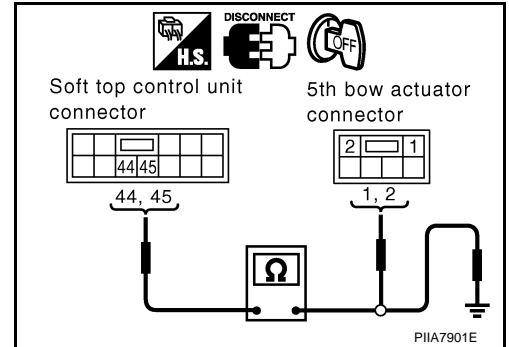
4. Check continuity between soft top control unit connector B68 terminal 44, 45 and ground.

44 (G/R) - Ground : Continuity should not exist.

45 (G/Y) - Ground : Continuity should not exist.

OK or NG

- OK >> Replace soft top control unit.
 NG >> Repair or replace harness.



5th Bow Full Close Detection Switch Check (Open Operate)

AIS005ZI

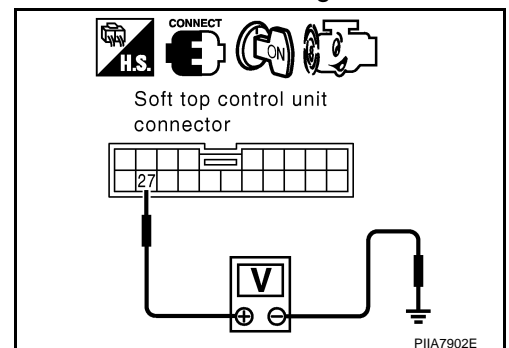
1. CHECK 5TH BOW FULL CLOSE DETECTION SWITCH SIGNAL

1. Start engine.
2. Operate soft top switch OPEN, check voltage between soft top control unit connector and ground.

Connector	Terminal (Wire color)		Roof condition	Voltage (V) (Approx.)
	(+)	(-)		
B67	27 (W/G)	Ground	OP3 → OP4	5 → 0

OK or NG

- OK >> 5th bow full close switch is OK.
 NG >> GO TO 2.



SOFT TOP

2. CHECK 5TH BOW FULL CLOSE DETECTION SWITCH CIRCUIT

1. Turn ignition switch OFF.
2. Disconnect soft top control unit and 5th bow switch assembly (at plate rail RR) connector.
3. Check continuity between soft top control unit connector B67 terminal 27 and 5th bow switch assembly connector B214 terminal 2.

27 (W/G) - 2 (W/G) : Continuity should exist.

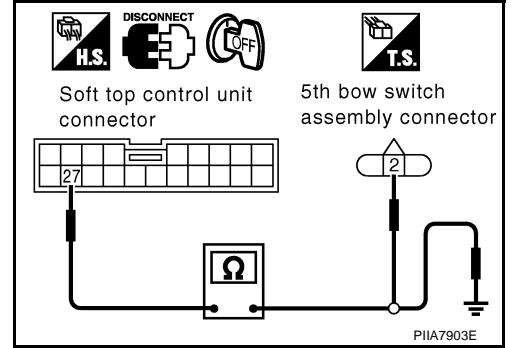
4. Check continuity between soft top control unit connector B67 terminal 27 and ground.

27 (W/G) - Ground : Continuity should not exist.

OK or NG

OK >> GO TO 3.

NG >> Repair or replace harness.



3. CHECK 5TH BOW FULL CLOSE DETECTION SWITCH GROUND CIRCUIT

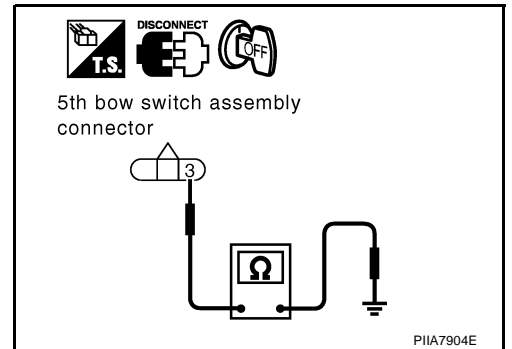
Check continuity between 5th bow switch assembly connector B214 terminal 3 and ground.

3 (B) - Ground : Continuity should exist.

OK or NG

OK >> GO TO 4.

NG >> Repair or replace harness.



4. CHECK SOFT TOP CONTROL UNIT OUTPUT SIGNAL

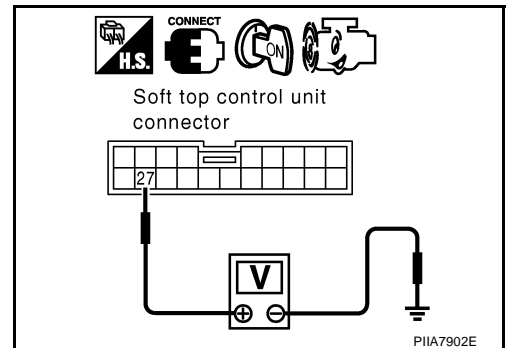
1. Connect soft top control unit connector.
2. Start engine.
3. Check voltage between soft top control unit connector B67 terminal 27 and ground.

27 (W/G) - Ground : Approx. 5V

OK or NG

OK >> Replace plate rail RR.

NG >> Replace soft top control unit.



SOFT TOP

AIS005ZJ

5th Bow Full Open Detection Switch Check (Open Operate)

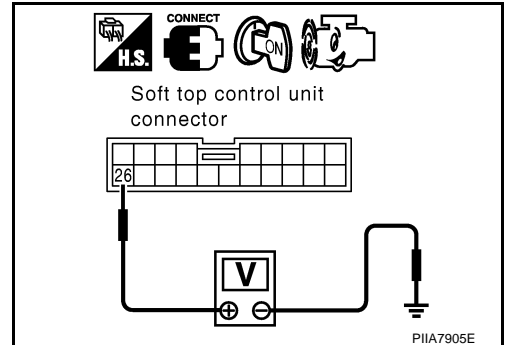
1. CHECK 5TH BOW FULL OPEN DETECTION SWITCH SIGNAL

1. Start engine.
2. Operate soft top switch OPEN, check voltage between soft top control unit connector and ground.

Connector	Terminal (Wire color)		Roof condition	Voltage (V) (Approx.)
	(+)	(-)		
B67	26 (LG)	Ground	OP4 → OP5	5 → 0

OK or NG

- OK >> 5th bow full open switch is OK.
 NG >> GO TO 2.



2. CHECK 5TH BOW FULL OPEN DETECTION SWITCH CIRCUIT

1. Turn ignition switch OFF.
2. Disconnect soft top control unit and 5th bow switch assembly (at plate rail RR) connector.
3. Check continuity between soft top control unit connector B67 terminal 26 and 5th bow switch assembly connector B214 terminal 1.

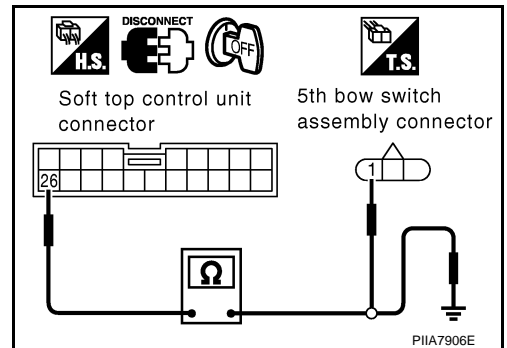
26 (LG) - 1 (LG) : Continuity should exist.

4. Check continuity between soft top control unit connector B67 terminal 26 and ground.

26 (LG) - Ground : Continuity should not exist.

OK or NG

- OK >> GO TO 3.
 NG >> Repair or replace harness.



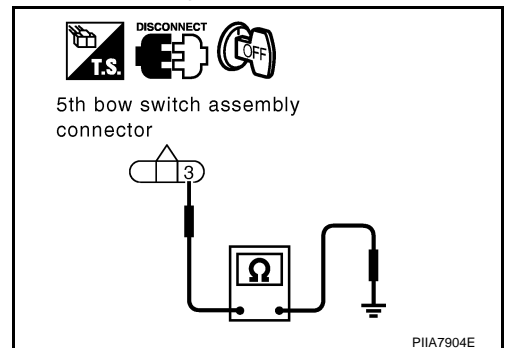
3. CHECK 5TH BOW FULL OPEN DETECTION SWITCH GROUND CIRCUIT

Check continuity between 5th bow switch assembly connector B214 terminal 3 and ground.

3 (B) - Ground : Continuity should exist.

OK or NG

- OK >> GO TO 4.
 NG >> Repair or replace harness.



SOFT TOP

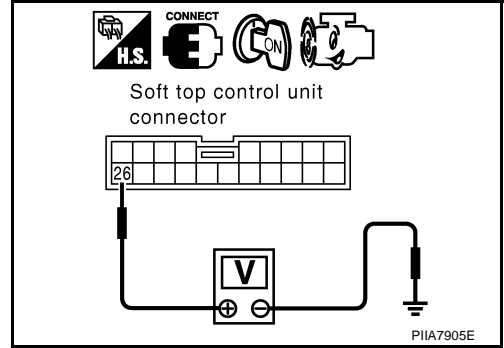
4. CHECK SOFT TOP CONTROL UNIT OUTPUT SIGNAL

1. Connect soft top control unit connector.
2. Start engine.
3. Check voltage between soft top control unit connector B67 terminal 26 and ground.

26 (LG) - Ground : Approx. 5V

OK or NG

- OK >> Replace plate rail RR.
 NG >> Replace soft top control unit.



Storage Lid Unlock Actuator Check (Open Operate)

AI/S005ZK

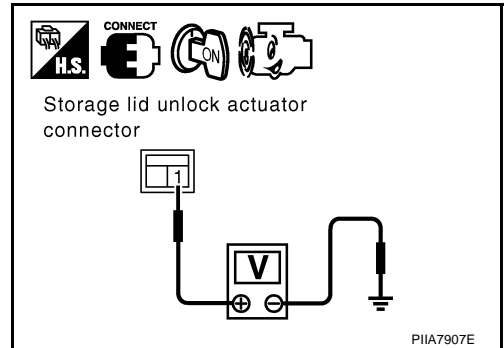
1. CHECK STORAGE LID UNLOCK ACTUATOR SIGNAL

1. Start engine.
2. Operate soft top switch OPEN, check voltage between storage lid unlock actuator (LH or RH) connector and ground.

Connector	Terminal (Wire color)		Roof condition	Voltage (V) (Approx.)
	(+)	(-)		
B65 (LH) B70 (RH)	1 (R)	Ground	OP5 → OP6	0 → Battery voltage → 0

OK or NG

- OK >> GO TO 3.
 NG >> GO TO 2.



2. CHECK STORAGE LID UNLOCK ACTUATOR CIRCUIT

1. Turn ignition switch OFF.
2. Disconnect soft top control unit and storage lid unlock actuator connector.
3. Check continuity between soft top control unit connector B66 terminal 15 and storage lid unlock actuator connector B65 (LH), B70 (RH) terminal 1.

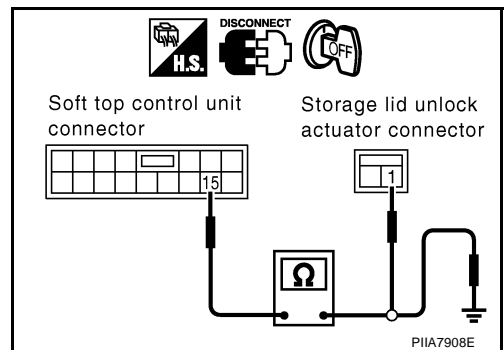
15 (OR) - 1 (R) : Continuity should exist.

4. Check continuity between soft top control unit connector B66 terminal 15 and ground.

15 (OR) - Ground : Continuity should not exist.

OK or NG

- OK >> Replace soft top control unit.
 NG >> Repair or replace harness.



SOFT TOP

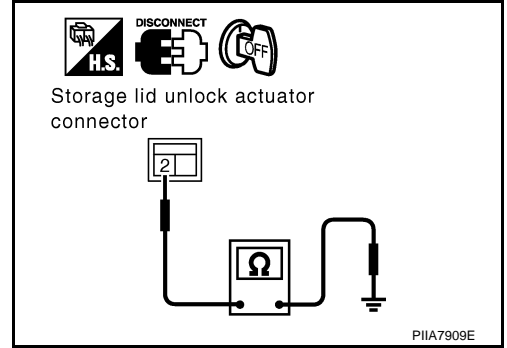
3. CHECK STORAGE LID UNLOCK ACTUATOR GROUND CIRCUIT

1. Turn ignition switch OFF.
2. Disconnect storage lid unlock actuator connector.
3. Check continuity between storage lid unlock actuator connector B65 (LH), B70 (RH) terminal 2 and ground.

2 (B) - Ground : Continuity should exist.

OK or NG

- OK >> Replace malfunction storage lid unlock actuator (LH or RH).
- NG >> Repair or replace harness.



Storage Lid Full Close Detection Switch Check (Open Operate)

AIS005ZL

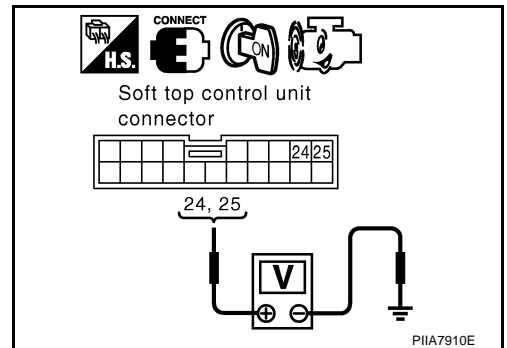
1. CHECK STORAGE LID FULL CLOSE DETECTION SWITCH SIGNAL

1. Start engine.
2. Operate soft top switch OPEN, check voltage between soft top control unit connector and ground.

Connector	Terminal (Wire color)		Roof condition	Voltage (V) (Approx.)
	(+)	(-)		
B67	24 (G)	Ground	OP5	5 → 0
	25 (L/Y)		OP6	

OK or NG

- OK >> Storage lid full close detection switch is OK.
- NG >> GO TO 2.



SOFT TOP

2. CHECK STORAGE LID FULL CLOSE DETECTION SWITCH CIRCUIT

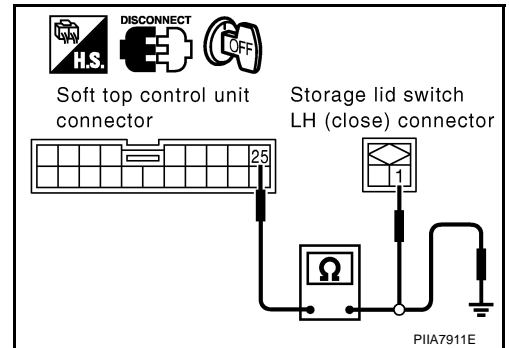
1. Turn ignition switch OFF.
2. Disconnect soft top control unit and storage lid switch (close) connector.
3. Check the following.

- Continuity between soft top control unit connector B67 terminal 25 and storage lid switch LH (close) connector B64 terminal 1.

25 (L/Y) - 1 (L/Y) : Continuity should exist.

- Continuity between soft top control unit connector B67 terminal 25 and ground.

25 (L/Y) - Ground : Continuity should not exist.



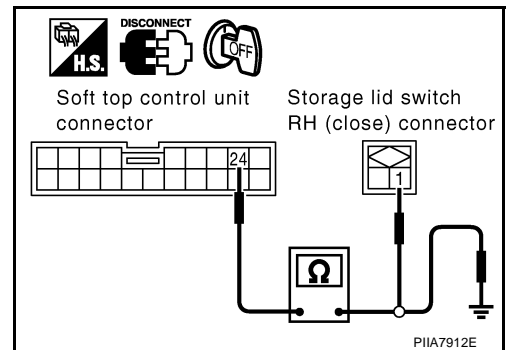
4. Check the following.

- Continuity between soft top control unit connector B67 terminal 24 and storage lid switch RH (close) connector B69 terminal 1.

24 (G) - 1 (G) : Continuity should exist.

- Continuity between soft top control unit connector B67 terminal 24 and ground.

24 (G) - Ground : Continuity should not exist.



OK or NG

OK >> GO TO 3.

NG >> Repair or replace harness.

3. CHECK STORAGE LID FULL CLOSE DETECTION SWITCH GROUND CIRCUIT

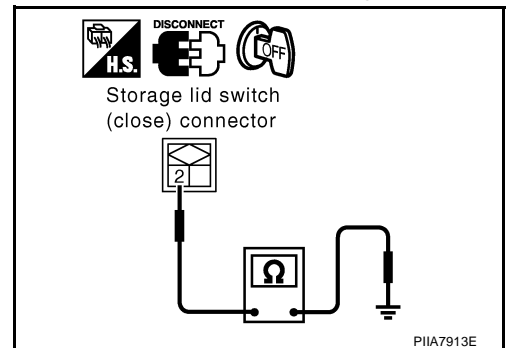
Check continuity between storage lid switch (close) connector B64 (LH), B69 (RH) terminal 2 and ground.

2 (B) - Ground : Continuity should exist.

OK or NG

OK >> GO TO 4.

NG >> Repair or replace harness.



SOFT TOP

4. CHECK SOFT TOP CONTROL UNIT OUTPUT SIGNAL

1. Connect soft top control unit connector.
2. Start engine.
3. Check voltage between soft top control unit connector B67 terminal 24, 25 and ground.

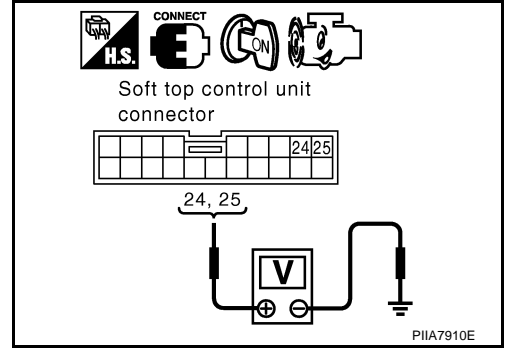
24 (G) - Ground : Approx. 5V

25 (L/Y) - Ground : Approx. 5V

OK or NG

OK >> Replace malfunction storage lid full close detection switch (LH or RH).

NG >> Replace soft top control unit.



Storage Lid Actuator Check (Open Operate)

1. CHECK STORAGE LID ACTUATOR (OPEN) SIGNAL

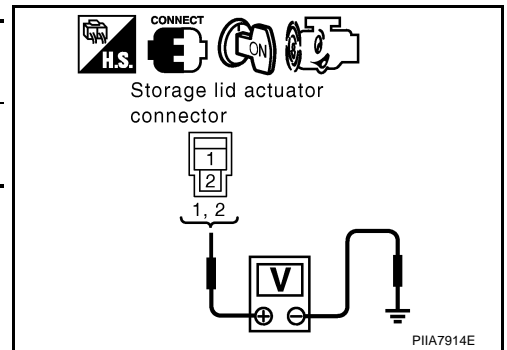
1. Start engine.
2. Operate soft top switch OPEN, check voltage between storage lid actuator connector and ground.

Connector	Terminal (Wire color)		Roof condition	Voltage (V) (Approx.)
	(+)	(-)		
T28 (LH)	2 (R/B)	Ground	OP6 → OP7	0 → Battery voltage → 0
T30 (RH)	1 (R/L)			

OK or NG

OK >> Replace storage lid actuator (LH or RH).

NG >> GO TO 2.



SOFT TOP

2. CHECK STORAGE LID ACTUATOR CIRCUIT

1. Turn ignition switch OFF.
2. Disconnect soft top control unit and storage lid actuator connector.
3. Check the following.

- Continuity between soft top control unit connector B68 terminal 41, 48 and storage lid actuator (LH) connector T28 terminal 1, 2.

41 (R/L) - 2 (R/B) : Continuity should exist.

48 (Y/B) - 1 (Y/B) : Continuity should exist.

- Continuity between soft top control unit connector B68 terminal 41, 48 and ground.

41 (R/L) - Ground : Continuity should not exist.

48 (Y/B) - Ground : Continuity should not exist.

4. Check the following.

- Continuity between soft top control unit connector B66 terminal 5, 13 and storage lid actuator (RH) connector T30 terminal 1, 2.

5 (R/B) - 1 (R/L) : Continuity should exist.

13 (L/R) - 2 (L/R) : Continuity should exist.

- Continuity between soft top control unit connector B66 terminal 5, 13 and ground.

5 (R/B) - Ground : Continuity should not exist.

13 (L/R) - Ground : Continuity should not exist.

OK or NG

OK >> Replace soft top control unit.

NG >> Repair or replace harness.

Storage Lid Full Open Detection Switch Check (Open Operate)

AIS005Z/N

1. CHECK STORAGE LID FULL OPEN DETECTION SWITCH SIGNAL

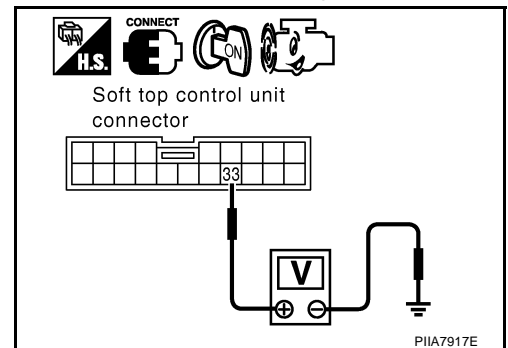
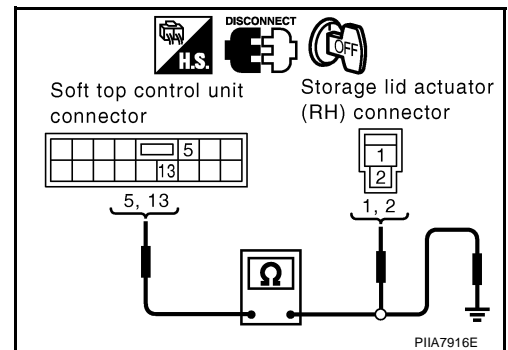
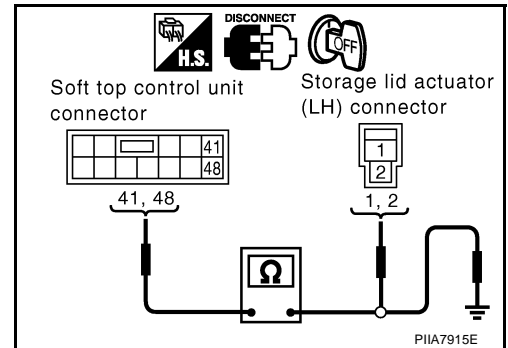
1. Start engine.
2. Operate soft top switch OPEN, check voltage between soft top control unit connector and ground.

Connector	Terminal (Wire color)		Roof condition	Voltage (V) (Approx.)
	(+)	(-)		
B67	33 (P)	Ground	OP6 → OP7	5 → 0

OK or NG

OK >> Storage lid full open detection switch is OK.

NG >> GO TO 2.



SOFT TOP

2. CHECK SOTORAGE LID FULL OPEN DETECTION SWITCH CIRCUIT

1. Turn ignition switch OFF.
2. Disconnect soft top control unit and storage lid switch (open) connector.
3. Check continuity between soft top control unit connector B67 terminal 33 and storage lid switch (open) connector T27 terminal 1.

33 (P) - 1 (P) : Continuity should exist.

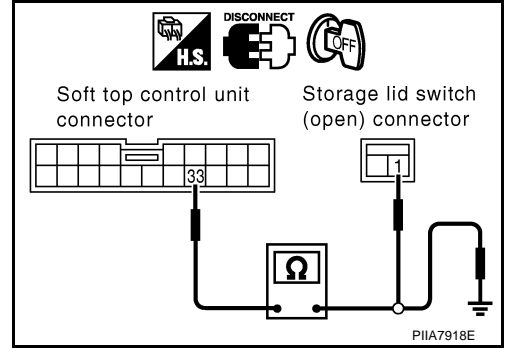
4. Check continuity between soft top control unit connector B67 terminal 33 and ground.

33 (P) - Ground : Continuity should not exist.

OK or NG

OK >> GO TO 3.

NG >> Repair or replace harness.



3. CHECK STORAGE LID FULL OPEN DETECTION SWITCH GROUND CIRCUIT

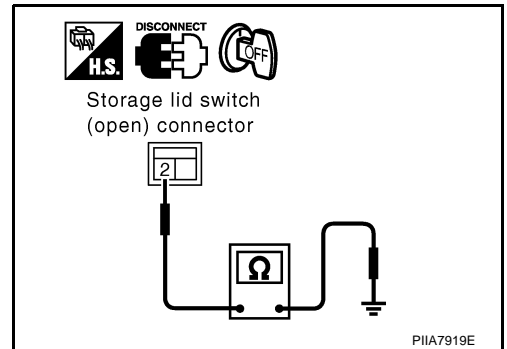
Check continuity between storage lid switch (open) connector T27 terminal 2 and ground.

2 (B) - Ground : Continuity should exist.

OK or NG

OK >> GO TO 4.

NG >> Repair or replace harness.



4. CHECK SOFT TOP CONTROL UNIT OUTPUT SIGNAL

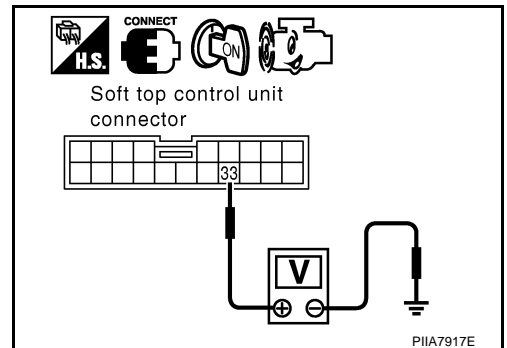
1. Connect soft top control unit connector.
2. Start engine.
3. Check voltage between soft top control unit connector B67 terminal 33 and ground.

33 (P) - Ground : Approx. 5V

OK or NG

OK >> Replace storage lid switch (open).

NG >> Replace soft top control unit.



Roof Actuator Check (Open Operate)

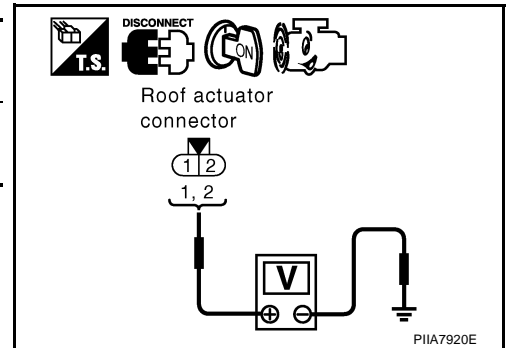
1. CHECK ROOF ACTUATOR (OPEN) SIGNAL

1. Turn ignition switch OFF.
2. Disconnect roof actuator connector.
3. Start engine.
4. Operate soft top switch (OPEN), check voltage between roof actuator connector and ground.

Connector	Terminal (Wire color)		Roof condition	Voltage (V) (Approx.)
	(+)	(-)		
B59 (LH)	2 (R)	Ground	OP8 → OP11	0 → Battery voltage → 0
B72 (RH)	1 (R)			

OK or NG

- OK >> Replace roof actuator (LH or RH).
 NG >> GO TO 2.



2. CHECK ROOF ACTUATOR CIRCUIT

1. Turn ignition switch OFF.
2. Disconnect soft top control unit connector.
3. Check the following.
 - Continuity between soft top control unit connector B68 terminal 37, 42 and roof actuator (LH) connector B59 terminal 1, 2.

37 (R) - 2 (R) : Continuity should exist.

42 (Y) - 1 (Y) : Continuity should exist.

- Continuity between soft top control unit connector B68 terminal 37, 42 and ground.

37 (R) - Ground : Continuity should not exist.

42 (Y) - Ground : Continuity should not exist.

4. Check the following.
 - Continuity between soft top control unit connector B66 terminal 3, 10 and roof actuator (RH) connector B72 terminal 1, 2.

3 (R) - 1 (R) : Continuity should exist.

10 (Y) - 2 (Y) : Continuity should exist.

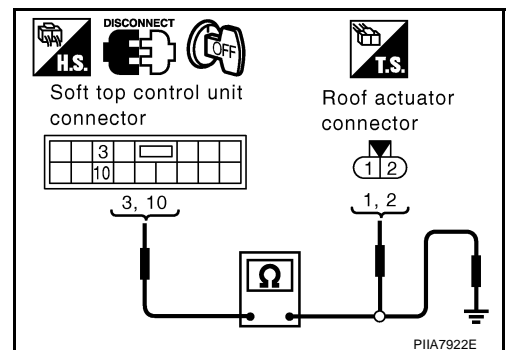
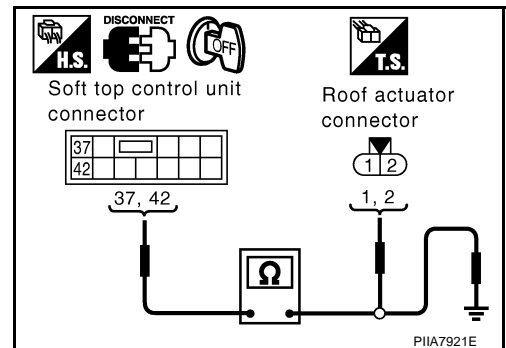
- Continuity between soft top control unit connector B66 terminal 3, 10 and ground.

3 (R) - Ground : Continuity should not exist.

10 (Y) - Ground : Continuity should not exist.

OK or NG

- OK >> Replace soft top control unit.
 NG >> Repair or replace harness.



SOFT TOP

Roll Bar Interference Prevention Switch Check (Open Operate)

AIS005ZP

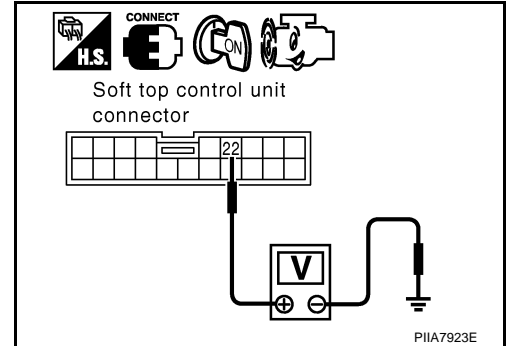
1. CHECK ROLL BAR INTERFERENCE PREVENTION SWITCH SIGNAL

1. Start engine.
2. Operate soft top switch OPEN, check voltage between soft top control unit connector and ground.

Connector	Terminal (Wire color)		Roof condition	Voltage (V) (Approx.)
	(+)	(-)		
B67	22 (W/R)	Ground	OP8 → OP9	5 → 0

OK or NG

- OK >> Roll bar interference prevention switch is OK.
 NG >> GO TO 2.



2. CHECK ROLL BAR INTERFERENCE PREVENTION SWITCH CIRCUIT

1. Turn ignition switch OFF.
2. Disconnect soft top control unit and soft top switch assembly 2 (roll bar interference prevention switch) connector.
3. Check continuity between soft top control unit connector B67 terminal 22 and soft top switch assembly 2 connector B213 terminal 3.

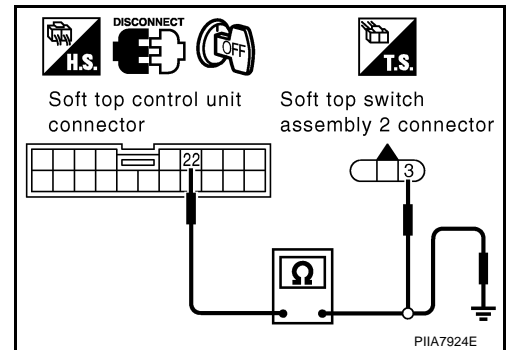
22 (W/R) - 3 (W/R) : Continuity should exist.

4. Check continuity between soft top control unit connector B67 terminal 22 and ground.

22 (W/R) - Ground : Continuity should not exist.

OK or NG

- OK >> GO TO 3.
 NG >> Repair or replace harness.



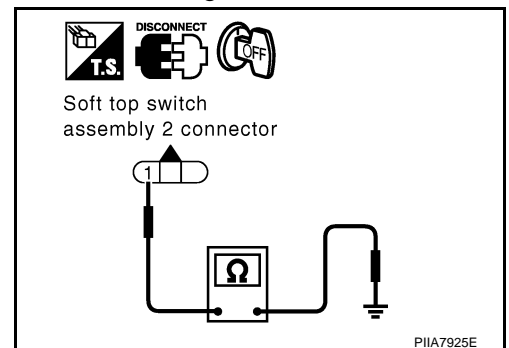
3. CHECK ROLL BAR INTERFERENCE PREVENTION SWITCH GROUND CIRCUIT

Check continuity between soft top switch assembly 2 connector B213 terminal 1 and ground.

1 (B) - Ground : Continuity should exist.

OK or NG

- OK >> GO TO 4.
 NG >> Repair or replace harness.



SOFT TOP

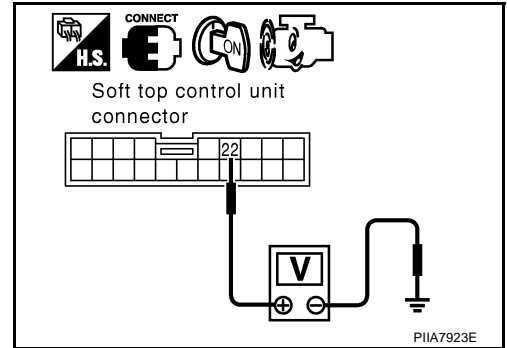
4. CHECK SOFT TOP CONTROL UNIT OUTPUT SIGNAL

1. Connect soft top control unit connector.
2. Start engine.
3. Check voltage between soft top control unit connector B67 terminal 22 and ground.

22 (W/R) - Ground : Approx. 5V

OK or NG

- OK >> Replace soft top switch assembly 2.
 NG >> Replace soft top control unit.



Body Interference Prevention Switch Check (Open Operate)

AIS005ZQ

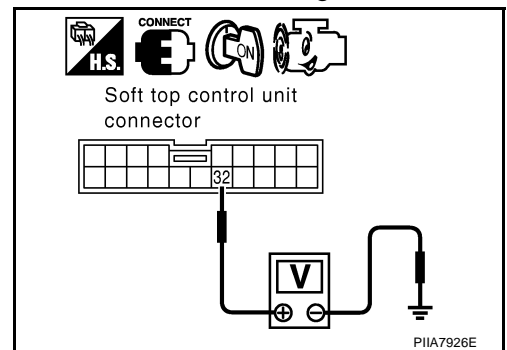
1. CHECK BODY INTERFERENCE PREVENTION SWITCH

1. Start engine.
2. Operate soft top switch OPEN, check voltage between soft top control unit connector and ground.

Connector	Terminal (Wire color)		Roof condition	Voltage (V) (Approx.)
	(+)	(-)		
B67	32 (W)	Ground	OP10	5 → 0

OK or NG

- OK >> Body interference prevention switch is OK.
 NG >> GO TO 2.



2. CHECK BODY INTERFERENCE PREVENTION SWITCH CIRCUIT

1. Turn ignition switch OFF.
2. Disconnect soft top control unit and soft top switch assembly 2 (body interference prevention switch) connector.
3. Check continuity between soft top control unit connector B67 terminal 32 and soft top switch assembly 1 connector B212 terminal 2.

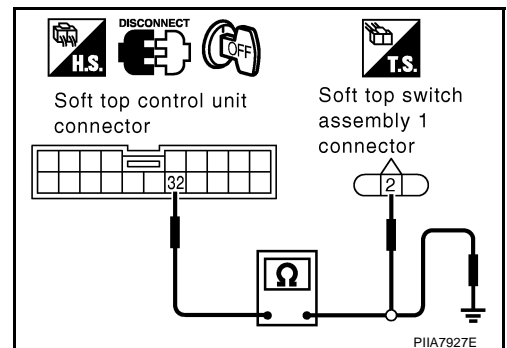
32 (W) - 2 (W) : Continuity should exist.

4. Check continuity between soft top control unit connector B67 terminal 32 and ground.

32 (W) - Ground : Continuity should not exist.

OK or NG

- OK >> GO TO 3.
 NG >> Repair or replace harness.



SOFT TOP

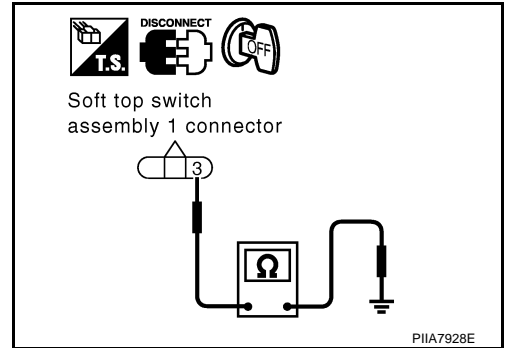
3. CHECK BODY INTERFERENCE PREVENTION SWITCH GROUND CIRCUIT

Check continuity between soft top switch assembly 1 connector B212 terminal 3 and ground.

3 (B) - Ground : Continuity should exist.

OK or NG

- OK >> GO TO 4.
- NG >> Repair or replace harness.



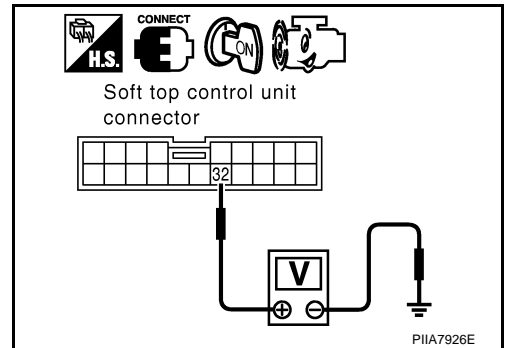
4. CHECK SOFT TOP CONTROL UNIT OUTPUT SIGNAL

1. Connect soft top control unit connector.
2. Start engine.
3. Check voltage between soft top control unit connector B67 terminal 32 and ground.

32 (W) - Ground : Approx. 5V

OK or NG

- OK >> Replace soft top switch assembly 1.
- NG >> Replace soft top control unit.



Roof Full Open Detection Switch Check (Open Operate)

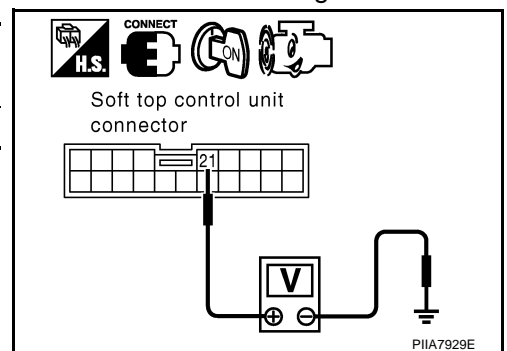
1. CHECK ROOF FULL OPEN DETECTION SWITCH SIGNAL

1. Start engine.
2. Operate soft top switch OPEN, check voltage between soft top control unit connector and ground.

Connector	Terminal (Wire color)		Roof condition	Voltage (V) (Approx.)
	(+)	(-)		
B67	21 (W/L)	Ground	OP10 → OP11	5 → 0

OK or NG

- OK >> Roof full open detection switch is OK.
- NG >> GO TO 2.



SOFT TOP

2. CHECK ROOF OPEN DETECTION SWITCH CIRCUIT

1. Turn ignition switch OFF.
2. Disconnect soft top control unit and soft top switch assembly 1 connector.
3. Check continuity between soft top control unit connector B67 terminal 21 and soft top switch assembly 1 connector B212 terminal 1.

21 (W/L) - 1 (W/L) : Continuity should exist.

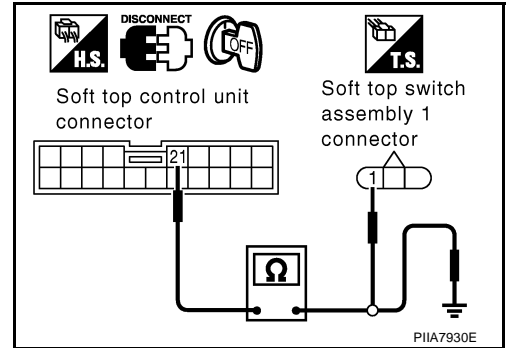
4. Check continuity between soft top control unit connector B67 terminal 21 and ground.

21 (W/L) - Ground : Continuity should not exist.

OK or NG

OK >> GO TO 3.

NG >> Repair or replace harness.



3. CHECK SOFT TOP CONTROL UNIT OUTPUT SIGNAL

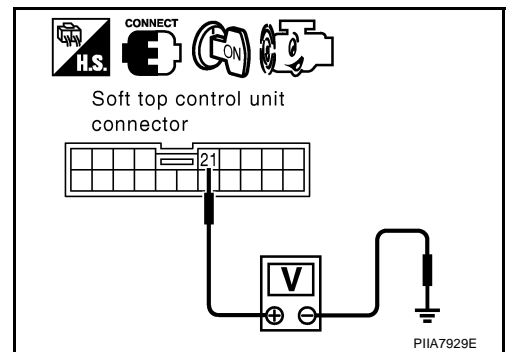
1. Connect soft top control unit connector.
2. Start engine.
3. Check voltage between soft top control unit connector B67 terminal 21 and ground.

21 (W/L) - Ground : Approx. 5V

OK or NG

OK >> Replace soft top switch assembly 1.

>> Replace soft top control unit.



Storage Lid Unlock Actuator Check (Close Operate)

AIS005ZS

1. CHECK STORAGE LID UNLOCK ACTUATOR SIGNAL

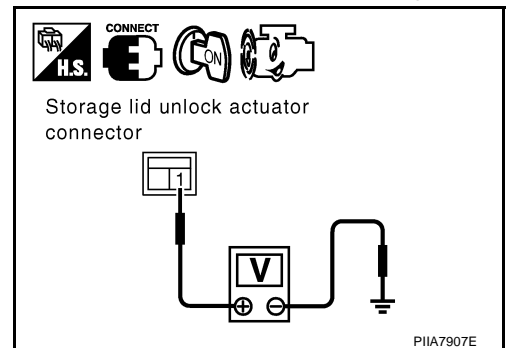
1. Start engine.
2. Operate soft top switch CLOSE, check voltage between storage lid unlock actuator connector and ground.

Connector	Terminal (Wire color)		Roof condition	Voltage (V) (Approx.)
	(+)	(-)		
B65 (LH) B70 (RH)	1 (R)	Ground	CL1 → CL2	0 → Battery voltage → 0

OK or NG

OK >> GO TO 3.

NG >> GO TO 2.



SOFT TOP

2. CHECK STORAGE LID UNLOCK ACTUATOR CIRCUIT

1. Turn ignition switch OFF.
2. Disconnect soft top control unit and storage lid unlock actuator connector.
3. Check continuity between soft top control unit connector B66 terminal 15 and storage lid unlock actuator connector B65 (LH), B70 (RH) terminal 1.

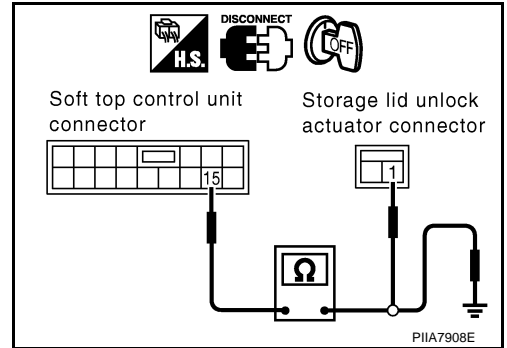
15 (OR) - 1 (R) : Continuity should exist.

4. Check continuity between soft top control unit connector B66 terminal 15 and ground.

15 (OR) - Ground : Continuity should not exist.

OK or NG

- OK >> Replace soft top control unit.
 NG >> Repair or replace harness.



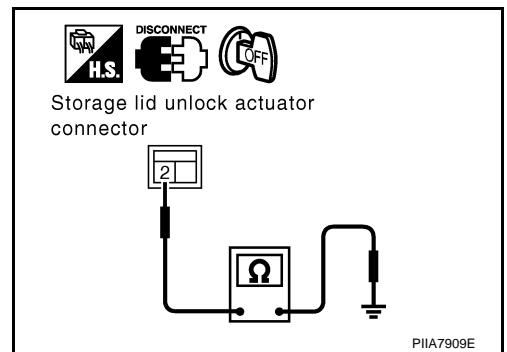
3. CHECK STORAGE LID UNLOCK ACTUATOR GROUND CIRCUIT

1. Turn ignition switch OFF.
2. Disconnect storage lid unlock actuator connector.
3. Check continuity between storage lid unlock actuator connector B65 (LH), B70 (RH) terminal 2 and ground.

2 (B) - Ground : Continuity should exist.

OK or NG

- OK >> Replace malfunction storage lid unlock actuator (LH or RH).
 NG >> Repair or replace harness.



Storage Lid Full Close Detection Switch Check (Close Operate)

AIS005ZT

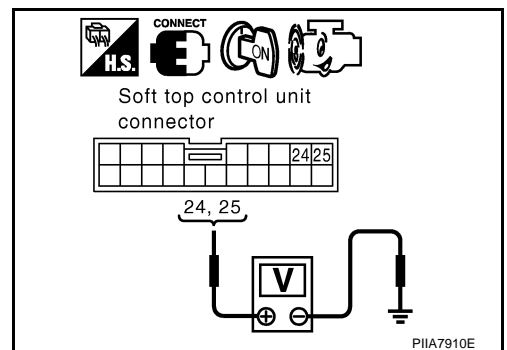
1. CHECK STORAGE LID FULL CLOSE DETECTION SWITCH SIGNAL

1. Start engine.
2. Operate soft top switch CLOSE, check voltage between soft top control unit connector and ground.

Connector	Terminal (Wire color)		Roof condition	Voltage (V) (Approx.)
	(+)	(-)		
B67	24 (G) for switch RH	Ground	CL1	5 → 0
	25 (L/Y) for switch LH		CL1 → CL2	

OK or NG

- OK >> Storage lid full close detection switch is OK.
 NG >> GO TO 2.



SOFT TOP

2. CHECK STORAGE LID FULL CLOSE DETECTION SWITCH CIRCUIT

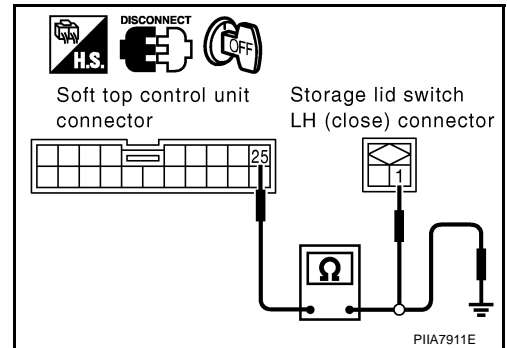
1. Turn ignition switch OFF.
2. Disconnect soft top control unit and storage lid switch (close) connector.
3. Check the following.

- Continuity between soft top control unit connector B67 terminal 25 and storage lid switch LH (close) connector B64 terminal 1.

25 (L/Y) - 1 (L/Y) : Continuity should exist.

- Continuity between soft top control unit connector B67 terminal 25 and ground.

25 (L/Y) - Ground : Continuity should not exist.



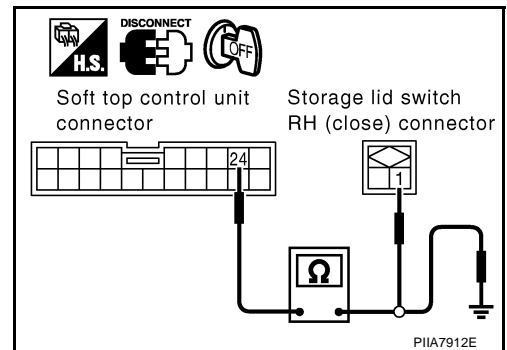
4. Check the following.

- Continuity between soft top control unit connector B67 terminal 24 and storage lid switch RH (close) connector B69 terminal 1.

24 (G) - 1 (G) : Continuity should exist.

- Continuity between soft top control unit connector B67 terminal 24 and ground.

24 (G) - Ground : Continuity should not exist.



OK or NG

OK >> GO TO 3.

NG >> Repair or replace harness.

3. CHECK STORAGE LID FULL CLOSE DETECTION SWITCH GROUND CIRCUIT

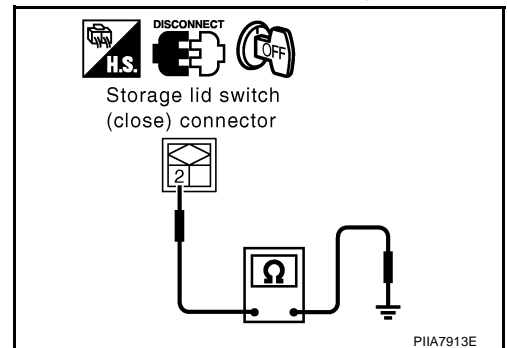
Check continuity between storage lid switch (close) connector B64 (LH), B69 (RH) terminal 2 and ground.

2 (B) - Ground : Continuity should exist.

OK or NG

OK >> GO TO 4.

NG >> Repair or replace harness.



SOFT TOP

4. CHECK SOFT TOP ROOF CONTROL UNIT OUTPUT SIGNAL

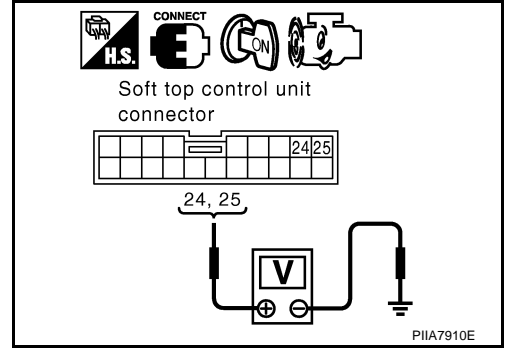
1. Connect soft top control unit connector.
2. Start engine.
3. Check voltage between soft top control unit connector B67 terminal 24, 25 and ground.

24 (G) - Ground : Approx. 5V

25 (L/Y) - Ground : Approx. 5V

OK or NG

- OK >> Replace storage lid full close detection switch RH or LH.
 NG >> Replace soft top control unit.



AIS005ZU

Storage Lid Actuator Check (Close Operate)

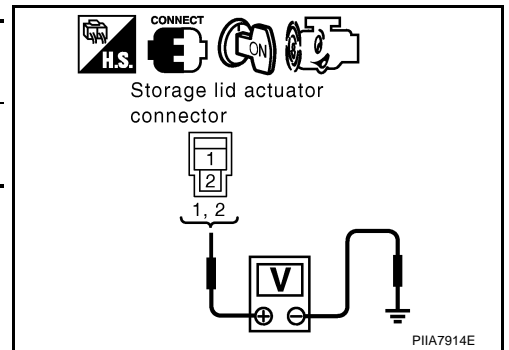
1. CHECK STORAGE LID ACTUATOR (CLOSE) SIGNAL

1. Start engine.
2. Operate soft top switch CLOSE, check voltage between storage lid actuator connector and ground.

Connector	Terminal (Wire color)		Roof condition	Voltage (V) (Approx.)
	(+)	(-)		
T28 (LH)	1 (Y/B)	Ground	CL2 → CL3	0 → Battery voltage → 0
T30 (RH)	2 (L/R)			

OK or NG

- OK >> Replace storage lid actuator (LH or RH).
 NG >> GO TO 2.



PIA7914E

SOFT TOP

2. CHECK STORAGE LID ACTUATOR CIRCUIT

1. Turn ignition switch OFF.
2. Disconnect soft top control unit and storage lid actuator connector.
3. Check the following.

- Continuity between soft top control unit connector B68 terminal 41, 48 and storage lid actuator (LH) connector T28 terminal 1, 2.

41 (R/L) - 2 (R/B) : Continuity should exist.

48 (Y/B) - 1 (Y/B) : Continuity should exist.

- Continuity between soft top control unit connector B68 terminal 41, 48 and ground.

41 (R/L) - Ground : Continuity should not exist.

48 (Y/B) - Ground : Continuity should not exist.

4. Check the following.

- Continuity between soft top control unit connector B66 terminal 5, 13 and storage lid actuator (RH) connector T30 terminal 1, 2.

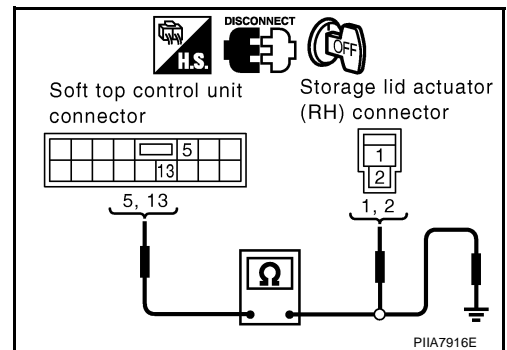
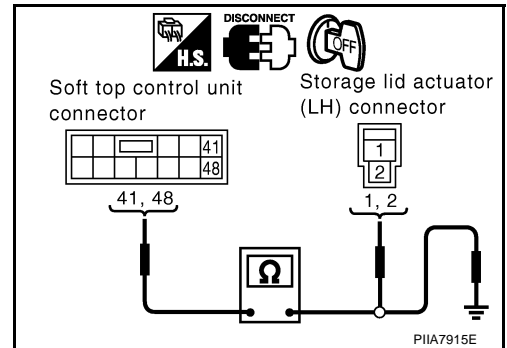
5 (R/B) - 1 (R/L) : Continuity should exist.

13 (L/R) - 2 (L/R) : Continuity should exist.

- Continuity between soft top control unit connector B66 terminal 5, 13 and ground.

5 (R/B) - Ground : Continuity should not exist.

13 (L/R) - Ground : Continuity should not exist.



OK or NG

- OK >> Replace soft top control unit.
- NG >> Repair or replace harness.

Storage Lid Full Open Detection Switch Check (Close Operate)

AIS005ZV

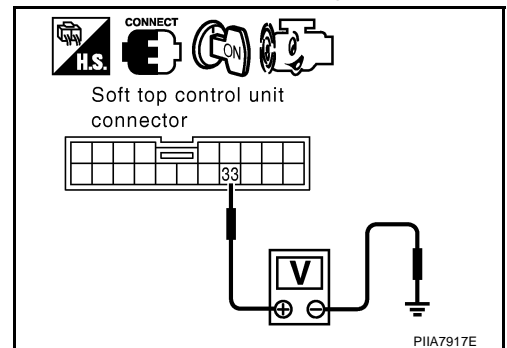
1. CHECK STORAGE LID FULL OPEN DETECTION SWITCH SIGNAL

1. Start engine.
2. Operate soft top switch CLOSE, check voltage between soft top control unit connector and ground.

Connector	Terminal (Wire color)		Roof condition	Voltage (V) (Approx.)
	(+)	(-)		
B67	33 (P)	Ground	CL2 → CL3	5 → 0

OK or NG

- OK >> Storage lid full open detection switch is OK.
- NG >> GO TO 2.



SOFT TOP

2. CHECK SOTORAGE LID FULL OPEN DETECTION SWITCH CIRCUIT

1. Turn ignition switch OFF.
2. Disconnect soft top control unit and storage lid switch (open) connector.
3. Check continuity between soft top control unit connector B67 terminal 33 and storage lid switch (open) connector T27 terminal 1.

33 (P) - 1 (P) : Continuity should exist.

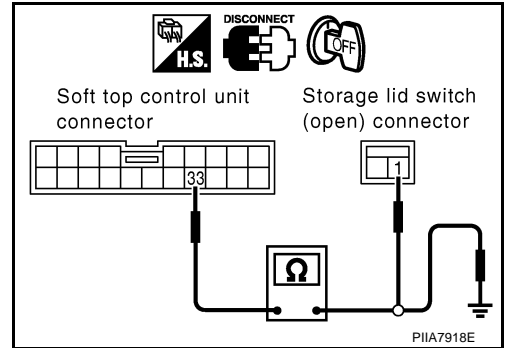
4. Check continuity between soft top control unit connector B67 terminal 33 and ground.

33 (P) - Ground : Continuity should not exist.

OK or NG

OK >> GO TO 3.

NG >> Repair or replace harness.



3. CHECK STORAGE LID FULL OPEN DETECTION SWITCH GROUND CIRCUIT

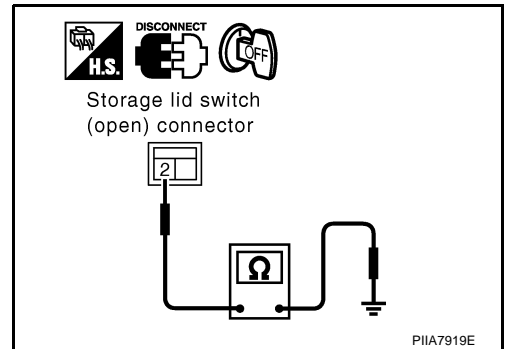
Check continuity between storage lid switch (open) connector T27 terminal 2 and ground.

2 (B) - Ground : Continuity should exist.

OK or NG

OK >> GO TO 4.

NG >> Repair or replace harness.



4. CHECK SOFT TOP CONTROL UNIT OUTPUT SIGNAL

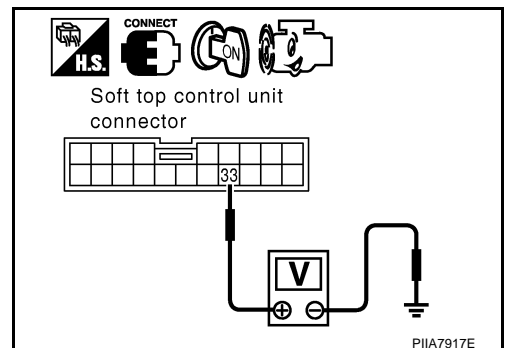
1. Connect soft top control unit connector.
2. Start engine.
3. Check voltage between soft top control unit connector B67 terminal 33 and ground.

33 (P) - Ground : Approx. 5V

OK or NG

OK >> Replace storage lid switch (open).

NG >> Replace soft top control unit.



SOFT TOP

AIS005ZW

Body Interference Prevention Switch Check (Close Operate)

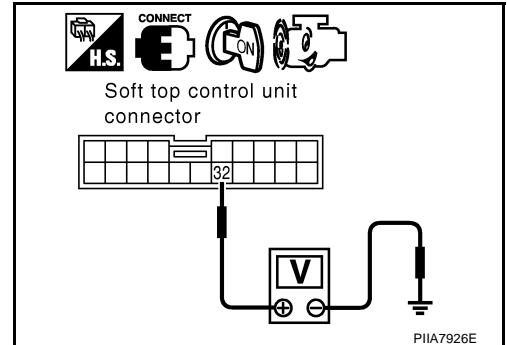
1. CHECK BODY INTERFERENCE PREVENTION SWITCH

1. Start engine.
2. Operate soft top switch CLOSE, check voltage between soft top control unit connector and ground.

Connector	Terminal (Wire color)		Roof condition	Voltage (V) (Approx.)
	(+)	(-)		
B67	32 (W)	Ground	CL3	0 → 5

OK or NG

- OK >> Body interference prevention switch is OK.
 NG >> GO TO 2.



2. CHECK BODY INTERFERENCE PREVENTION SWITCH CIRCUIT

1. Turn ignition switch OFF.
2. Disconnect soft top control unit and soft top switch assembly 1 (body interference prevention switch) connector.
3. Check continuity between soft top control unit connector B67 terminal 32 and soft top switch assembly 1 connector B212 terminal 2.

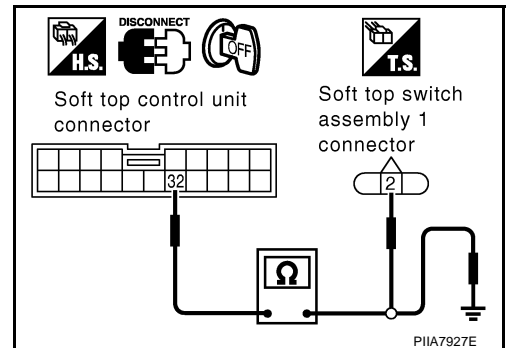
32 (W) - 2 (W) : Continuity should exist.

4. Check continuity between soft top control unit connector B67 terminal 32 and ground.

32 (W) - Ground : Continuity should not exist.

OK or NG

- OK >> GO TO 3.
 NG >> Repair or replace harness.



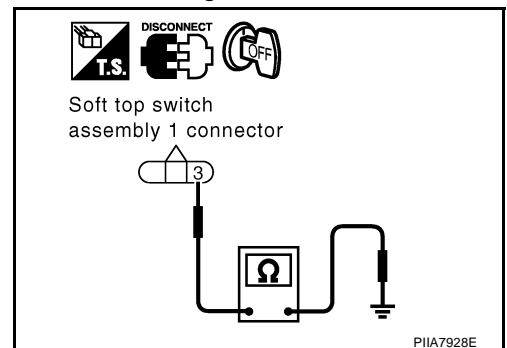
3. CHECK BODY INTERFERENCE PREVENTION SWITCH GROUND CIRCUIT

Check continuity between soft top switch assembly 1 connector B212 terminal 3 and ground.

3 (B) - Ground : Continuity should exist.

OK or NG

- OK >> GO TO 4.
 NG >> Repair or replace harness.



SOFT TOP

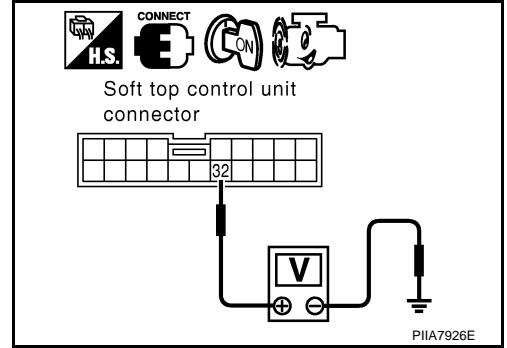
4. CHECK SOFT TOP CONTROL UNIT OUTPUT SIGNAL

1. Connect soft top control unit connector.
2. Start engine.
3. Check voltage between soft top control unit connector B67 terminal 32 and ground.

32 (W) - Ground : Approx. 5V

OK or NG

- OK >> Replace soft top switch assembly 1.
 NG >> Replace soft top control unit.



AIS005ZX

Roof Actuator Check (Close Operate)

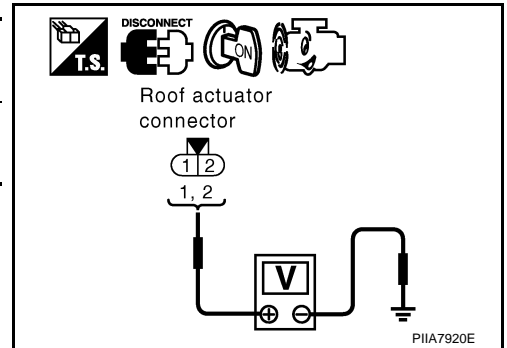
1. CHECK ROOF ACTUATOR (CLOSE) SIGNAL

1. Turn ignition switch OFF.
2. Disconnect roof actuator connector.
3. Start engine.
4. Operate soft top switch (CLOSE), check voltage between roof actuator connector and ground.

Connector	Terminal (Wire color)		Roof condition	Voltage (V) (Approx.)
	(+)	(-)		
B59 (LH)	1 (Y)	Ground	CL3 → CL6	0 → Battery voltage → 0
B72 (RH)	2 (Y)			

OK or NG

- OK >> Replace roof actuator (LH or RH).
 NG >> GO TO 2.



A
B
C
D
E
F
G
H
RF
J
K
L
M

SOFT TOP

2. CHECK ROOF ACTUATOR CIRCUIT

1. Turn ignition switch OFF.
2. Disconnect soft top control unit connector.
3. Check the following.
 - Continuity between soft top control unit connector B68 terminal 37, 42 and roof actuator (LH) connector B59 terminal 1, 2.

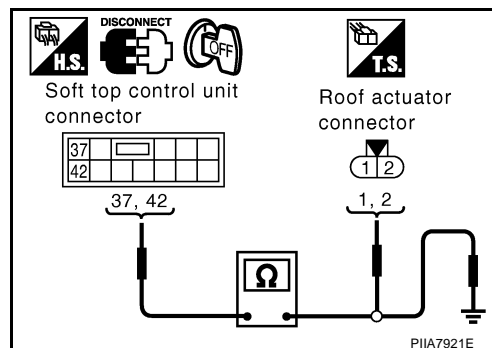
37 (R) - 2 (R) : Continuity should exist.

42 (Y) - 1 (Y) : Continuity should exist.

- Continuity between soft top control unit connector B68 terminal 37, 42 and ground.

37 (R) - Ground : Continuity should not exist.

42 (Y) - Ground : Continuity should not exist.



4. Check the following.

- Continuity between soft top control unit connector B66 terminal 3, 10 and roof actuator (RH) connector B72 terminal 1, 2.

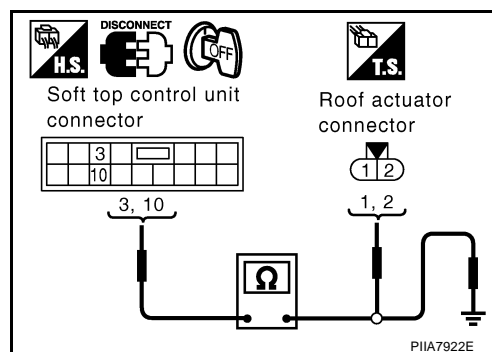
3 (R) - 1 (R) : Continuity should exist.

10 (Y) - 2 (Y) : Continuity should exist.

- Continuity between soft top control unit connector B66 terminal 3, 10 and ground.

3 (R) - Ground : Continuity should not exist.

10 (Y) - Ground : Continuity should not exist.



OK or NG

OK >> Replace soft top control unit.

NG >> Repair or replace harness.

Roof Full Close Detection Switch Check

AIS005ZY

1. CHECK ROOF FULL CLOSE DETECTION SWITCH SIGNAL

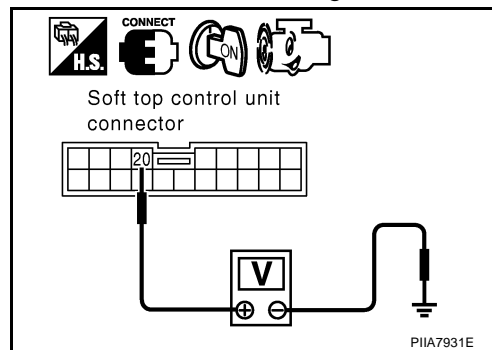
1. Start engine.
2. Operate soft top switch CLOSE, check voltage between soft top control unit connector and ground.

Connector	Terminal (Wire color)		Roof condition	Voltage (V) (Approx.)
	(+)	(-)		
B67	20 (W/B)	Ground	CL5 → CL6	0 → 5

OK or NG

OK >> Roof full close detection switch is OK.

NG >> GO TO 2.



SOFT TOP

2. CHECK ROOF FULL CLOSE DETECTION SWITCH CIRCUIT

1. Turn ignition switch OFF.
2. Disconnect soft top control unit and soft top switch assembly 2 (roof full close detection switch) connector.
3. Check continuity between soft top control unit connector B67 terminal 20 and soft top switch assembly 2 connector B213 terminal 2.

20 (W/B) - 2 (W/G) : Continuity should exist.

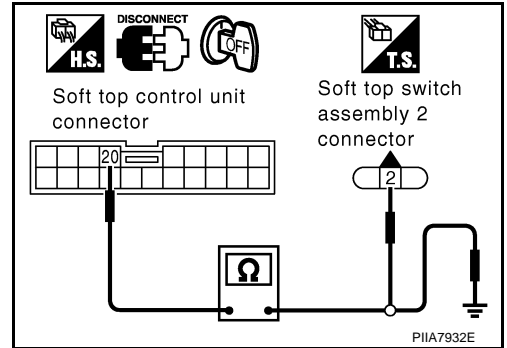
4. Check continuity between soft top control unit connector B67 terminal 20 and ground.

20 (W/B) - Ground : Continuity should not exist.

OK or NG

OK >> GO TO 3.

NG >> Repair or replace harness.



3. CHECK ROOF FULL CLOSE DETECTION SWITCH GROUND CIRCUIT

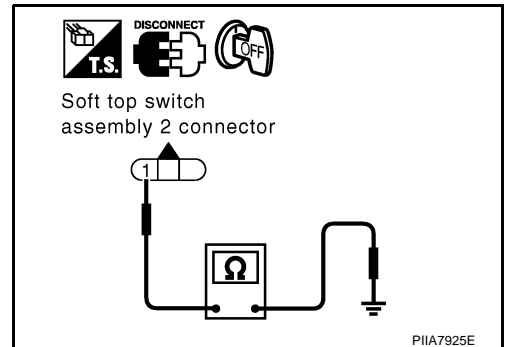
Check continuity between soft top switch assembly 2 connector B213 terminal 1 and ground.

1 (B) - Ground : Continuity should exist.

OK or NG

OK >> GO TO 4.

NG >> Repair or replace harness.



4. CHECK SOFT TOP CONTROL UNIT OUTPUT SIGNAL

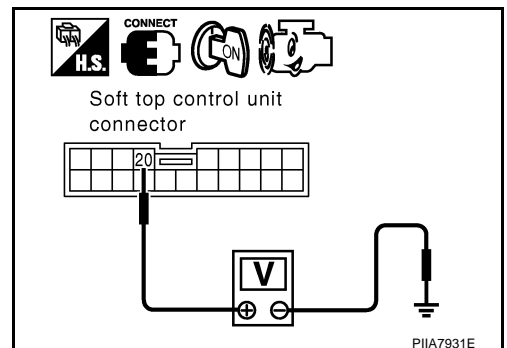
1. Connect soft top control unit connector.
2. Start engine.
3. Check voltage between soft top control unit connector B67 terminal 20 and ground.

20 (W/B) - Ground : Approx. 5V

OK or NG

OK >> Replace soft top switch assembly 2.

NG >> Replace soft top control unit.



SOFT TOP

5th Bow Actuator Check (Close Operate)

AIS005ZZ

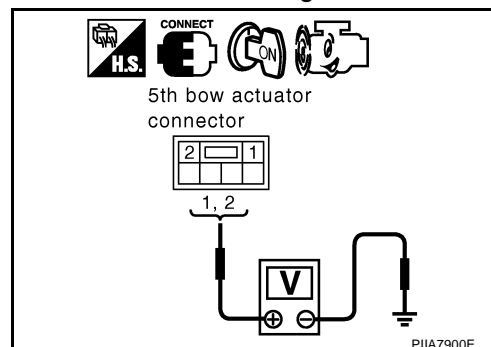
1. CHECK 5TH BOW ACTUATOR INPUT SIGNAL

1. Start engine.
2. Operate soft top switch CLOSE, check voltage between 5th bow actuator connector and ground.

Connector	Terminal (Wire color)		Roof condition	Voltage (V) (Approx.)
	(+)	(-)		
B233	1 (G/Y)	Ground	CL4 → CL5	0 → Battery voltage → 0

OK or NG

- OK >> Replace 5th bow actuator.
 NG >> GO TO 2.



2. CHECK 5TH BOW ACTUATOR CIRCUIT

1. Turn ignition switch OFF.
2. Disconnect soft top control unit and 5th bow actuator connector.
3. Check continuity between soft top control unit connector B68 terminal 44, 45 and 5th bow actuator connector B233 terminal 1, 2.

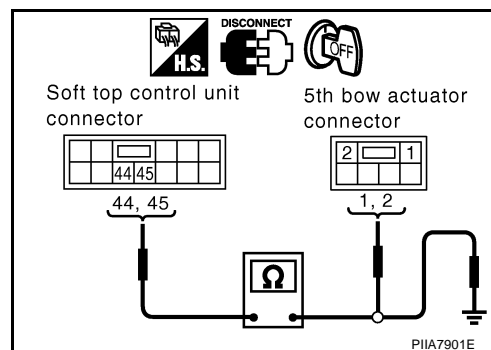
44 (G/R) - 1 (G/Y) : Continuity should exist.

45 (G/Y) - 2 (G/R) : Continuity should exist.

4. Check continuity between soft top control unit connector B68 terminal 44, 45 and ground.

44 (G/R) - Ground : Continuity should not exist.

45 (G/Y) - Ground : Continuity should not exist.



OK or NG

- OK >> Replace soft top control unit.
 NG >> Repair or replace harness.

5th Bow Full Close Detection Switch Check (Close Operate)

AIS00600

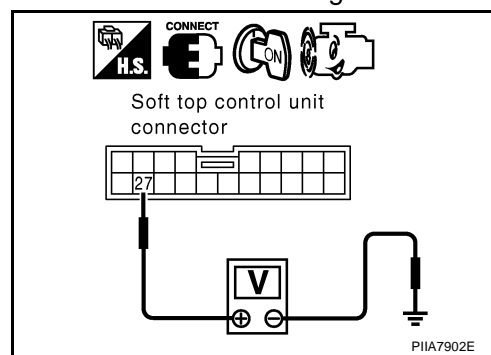
1. CHECK 5TH BOW FULL CLOSE DETECTION SWITCH SIGNAL

1. Start engine.
2. Operate soft top switch CLOSE, check voltage between soft top control unit connector and ground.

Connector	Terminal (Wire color)		Roof condition	Voltage (V) (Approx.)
	(+)	(-)		
B67	27 (W/G)	Ground	CL5 → CL6	0 → 5 → 0

OK or NG

- OK >> 5th bow full close switch is OK.
 NG >> GO TO 2.



SOFT TOP

2. CHECK 5TH BOW FULL CLOSE DETECTION SWITCH CIRCUIT

1. Turn ignition switch OFF.
2. Disconnect soft top control unit and 5th bow switch assembly (at plate rail RR) connector.
3. Check continuity between soft top control unit connector B67 terminal 27 and 5th bow switch assembly connector B214 terminal 2.

27 (W/G) - 2 (W/G) : Continuity should exist.

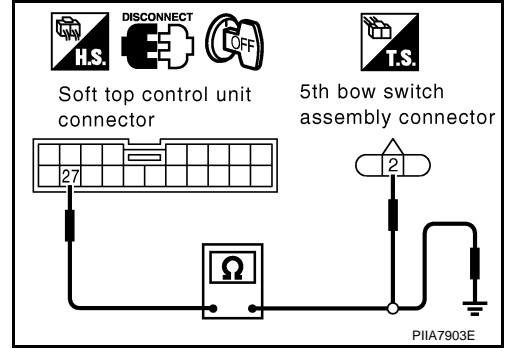
4. Check continuity between soft top control unit connector B67 terminal 27 and ground.

27 (W/G) - Ground : Continuity should not exist.

OK or NG

OK >> GO TO 3.

NG >> Repair or replace harness.



3. CHECK 5TH BOW FULL CLOSE DETECTION SWITCH GROUND CIRCUIT

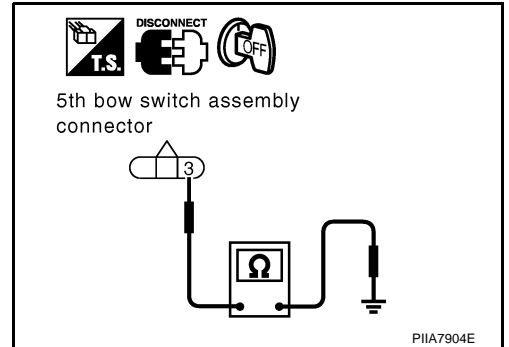
Check continuity between 5th bow switch assembly connector B214 terminal 3 and ground.

3 (B) - Ground : Continuity should exist.

OK or NG

OK >> GO TO 4.

NG >> Repair or replace harness.



4. CHECK SOFT TOP CONTROL UNIT OUTPUT SIGNAL

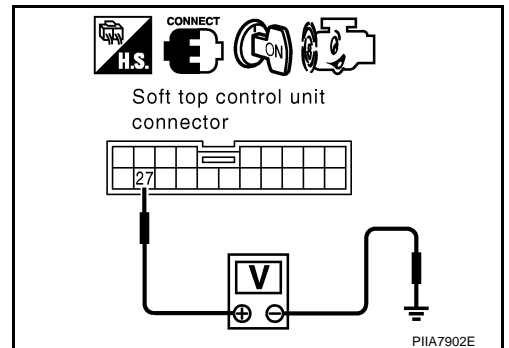
1. Connect soft top control unit connector.
2. Start engine.
3. Check voltage between soft top control unit connector B67 terminal 27 and ground.

27 (W/G) - Ground : Approx. 5V

OK or NG

OK >> Replace plate rail RR.

NG >> Replace soft top control unit.



SOFT TOP

AIS00601

5th Bow Full Open Detection Switch Check (Close Operate)

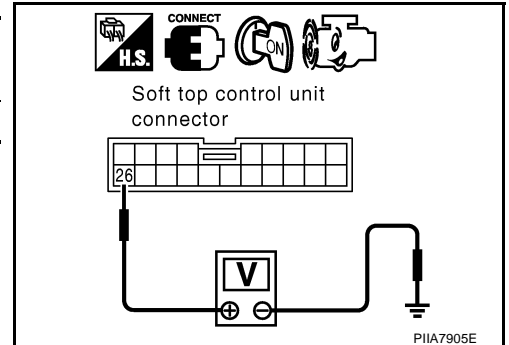
1. CHECK 5TH BOW FULL OPEN DETECTION SWITCH SIGNAL

1. Start engine.
2. Operate soft top switch CLOSE, check voltage between soft top control unit connector and ground.

Connector	Terminal (Wire color)		Roof condition	Voltage (V) (Approx.)
	(+)	(-)		
B67	26 (LG)	Ground	CL6 → CL7	5 → 0

OK or NG

- OK >> 5th bow full open switch is OK.
 NG >> GO TO 2.



2. CHECK 5TH BOW FULL OPEN DETECTION SWITCH CIRCUIT

1. Turn ignition switch OFF.
2. Disconnect soft top control unit and 5th bow switch assembly connector.
3. Check continuity between soft top control unit connector B67 terminal 26 and 5th bow switch assembly connector B214 terminal 1.

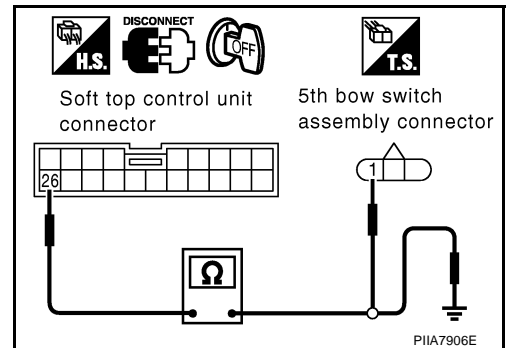
26 (LG) - 1 (LG) : Continuity should exist.

4. Check continuity between soft top control unit connector B67 terminal 26 and ground.

26 (LG) - Ground : Continuity should not exist.

OK or NG

- OK >> GO TO 3.
 NG >> Repair or replace harness.



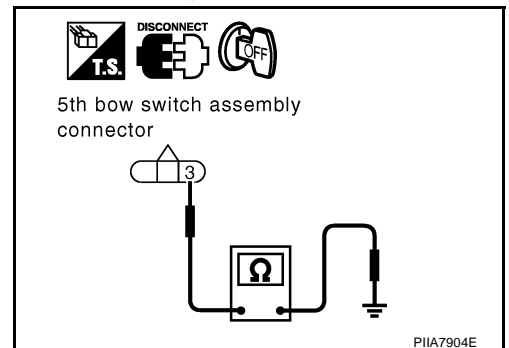
3. CHECK 5TH BOW FULL OPEN DETECTION SWITCH GROUND CIRCUIT

Check continuity between 5th bow switch assembly connector B214 terminal 3 and ground.

3 (B) - Ground : Continuity should exist.

OK or NG

- OK >> GO TO 4.
 NG >> Repair or replace harness.



SOFT TOP

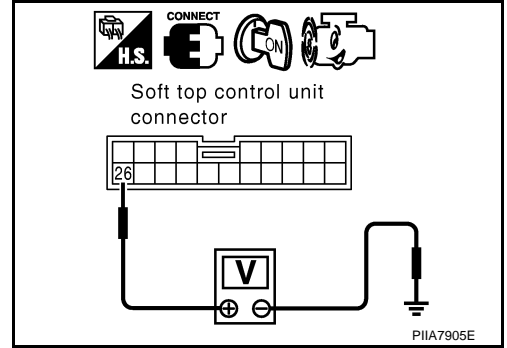
4. CHECK SOFT TOP CONTROL UNIT OUTPUT SIGNAL

1. Connect soft top control unit connector.
2. Start engine.
3. Check voltage between soft top control unit connector B67 terminal 26 and ground.

26 (LG) - Ground : Approx. 5V

OK or NG

- OK >> Replace plate rail RR.
 NG >> Replace soft top control unit.



AIS00602

5th Bow Half-Latch Switch Check (Close Operate)

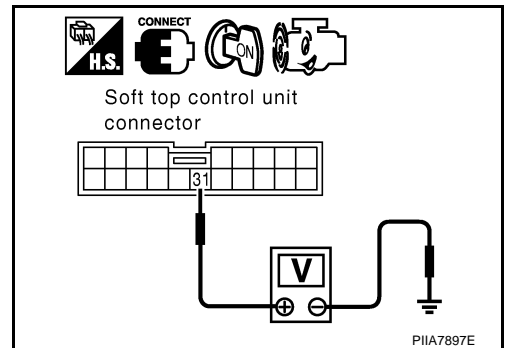
1. CHECK 5TH BOW HALF-LATCH SWITCH SIGNAL CHECK

1. Start engine.
2. Operate soft top switch CLOSE, check voltage between soft top control unit connector and ground.

Connector	Terminal (Wire color)		Roof condition	Voltage (V) (Approx.)
	(+)	(-)		
B67	31 (L)	Ground	CL9 → CL10	0 → 5

OK or NG

- OK >> 5th bow half-latch switch is OK.
 NG >> GO TO 2.



2. CHECK 5TH BOW HALF-LATCH CIRCUIT

1. Turn ignition switch OFF.
2. Disconnect soft top control unit and soft top lock switch (at 5th bow lock assembly in storage lid) connector.
3. Check continuity between soft top control unit connector B67 terminal 31 and soft top lock switch connector T205 terminal 5.

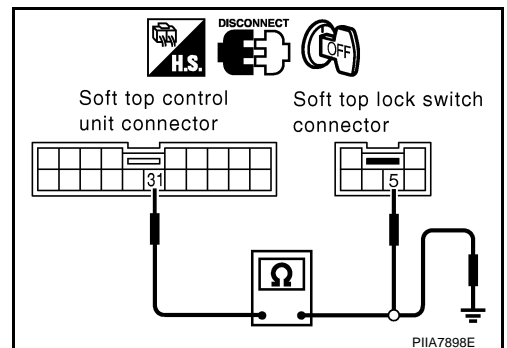
31 (L) - 5 (L) : Continuity should exist.

4. Check continuity between soft top control unit connector B67 terminal 31 and ground.

31 (L) - Ground : Continuity should not exist.

OK or NG

- OK >> GO TO 3.
 NG >> Repair or replace harness.



SOFT TOP

3. CHECK 5TH BOW HALF-LATCH SWITCH GROUND CIRCUIT

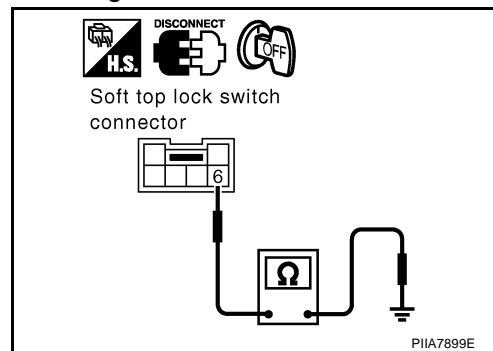
Check continuity between soft top lock switch connector T205 terminal 6 and ground.

6 (B) - Ground : Continuity should exist.

OK or NG

OK >> GO TO 4.

NG >> Repair or replace harness.



4. CHECK SOFT TOP CONTROL UNIT OUTPUT SIGNAL

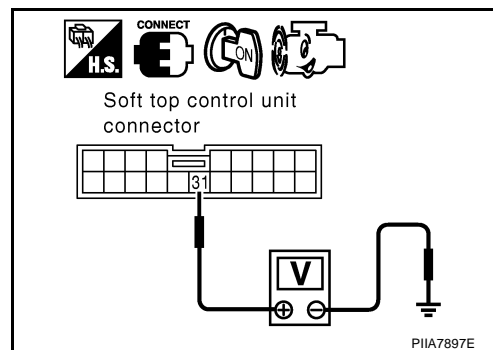
1. Connect soft top control unit connector.
2. Start engine.
3. Check voltage between soft top control unit connector B67 terminal 31 and ground.

31 (L) - Ground : Approx. 5V

OK or NG

OK >> Replace 5th bow lock assembly in storage lid.

NG >> Replace soft top control unit.



5th Bow Full-Latch Switch Check

1. CHECK 5TH BOW FULL-LATCH SWITCH SIGNAL

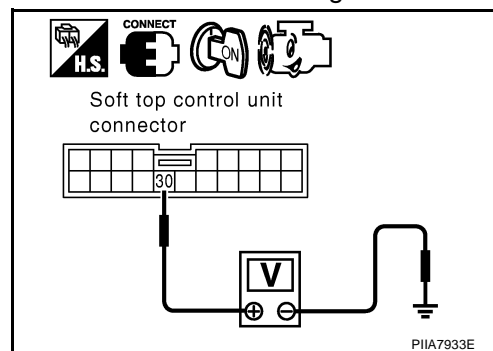
1. Start engine.
2. Operate soft top switch CLOSE, check voltage between soft top control unit connector and ground.

Connector	Terminal (Wire color)		Roof condition	Voltage (V) (Approx.)
	(+)	(-)		
B67	30 (Y/R)	Ground	CL10	0 → 5

OK or NG

OK >> 5th bow full-latch switch is OK.

NG >> GO TO 2.



SOFT TOP

2. CHECK 5TH BOW FULL-LATCH CIRCUIT

1. Turn ignition switch OFF.
2. Disconnect soft top control unit and soft top lock switch (at 5th bow lock assembly in storage lid) connector.
3. Check continuity between soft top control unit connector B67 terminal 30 and soft top lock switch connector T205 terminal 3.

30 (Y/R) - 3 (Y) : Continuity should exist.

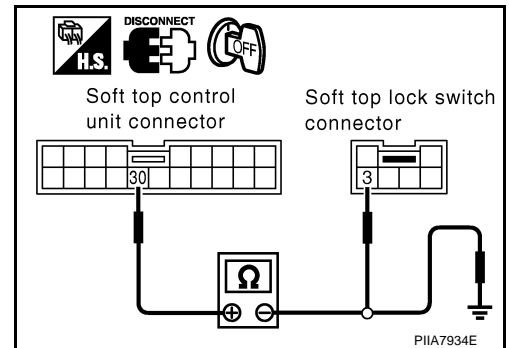
4. Check continuity between soft top control unit connector B67 terminal 30 and ground.

30 (Y/R) - Ground : Continuity should not exist.

OK or NG

OK >> GO TO 3.

NG >> Repair or replace harness.



3. CHECK 5TH BOW HALF-LATCH SWITCH GROUND CIRCUIT

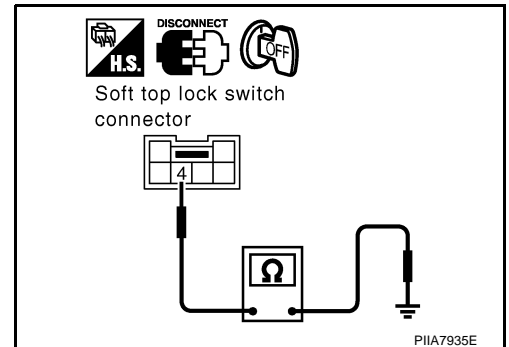
Check continuity between soft top lock switch connector T205 terminal 4 and ground.

4 (B) - Ground : Continuity should exist.

OK or NG

OK >> GO TO 4.

NG >> Repair or replace harness.



4. CHECK SOFT TOP CONTROL UNIT OUTPUT SIGNAL

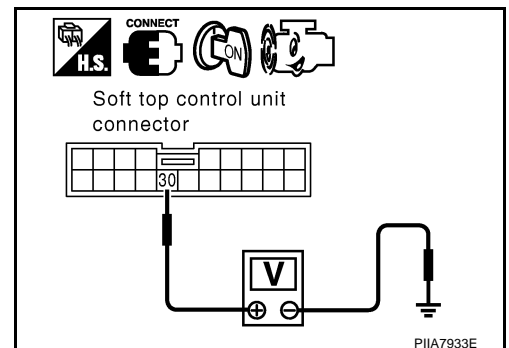
1. Connect soft top control unit connector.
2. Start engine.
3. Check voltage between soft top control unit connector B67 terminal 30 and ground.

30 (Y/R) - Ground : Approx. 5V

OK or NG

OK >> Replace 5th bow assembly in storage lid.

NG >> Replace soft top control unit.



SOFT TOP

AIS00604

5th Bow Ending Switch Check

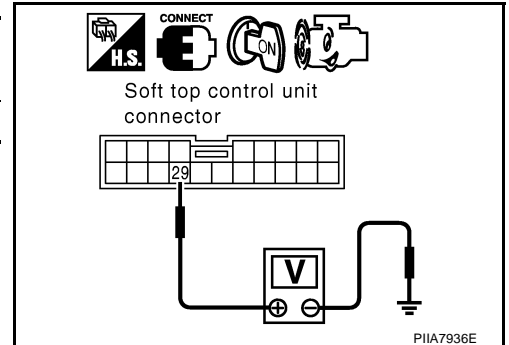
1. CHECK 5TH BOW ENDING SWITCH SIGNAL

1. Start engine.
2. Operate soft top switch CLOSE, check voltage between soft top control unit connector and ground.

Connector	Terminal (Wire color)		Roof condition	Voltage (V) (Approx.)
	(+)	(-)		
B67	29 (R/Y)	Ground	CL10	0 → 5

OK or NG

- OK >> 5th bow ending switch is OK.
 NG >> GO TO 2.



2. CHECK 5TH BOW ENDING CIRCUIT

1. Turn ignition switch OFF.
2. Disconnect soft top control unit and soft top lock switch (at 5th bow lock assembly in storage lid) connector.
3. Check continuity between soft top control unit connector B67 terminal 29 and soft top lock switch connector T205 terminal 1.

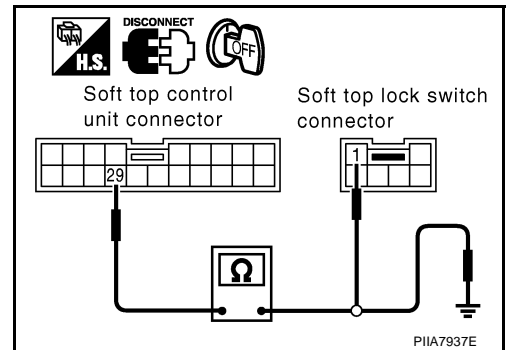
29 (R/Y) - 1 (R) : Continuity should exist.

4. Check continuity between soft top control unit connector B67 terminal 29 and ground.

29 (R/Y) - Ground : Continuity should not exist.

OK or NG

- OK >> GO TO 3.
 NG >> Repair or replace harness.



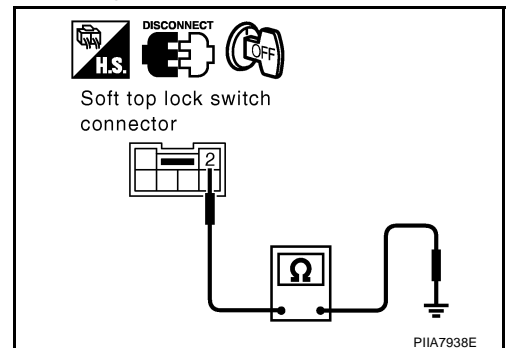
3. CHECK 5TH BOW ENDING SWITCH GROUND CIRCUIT

Check continuity between soft top lock switch connector T205 terminal 2 and ground.

2 (B) - Ground : Continuity should exist.

OK or NG

- OK >> GO TO 4.
 NG >> Repair or replace harness.



SOFT TOP

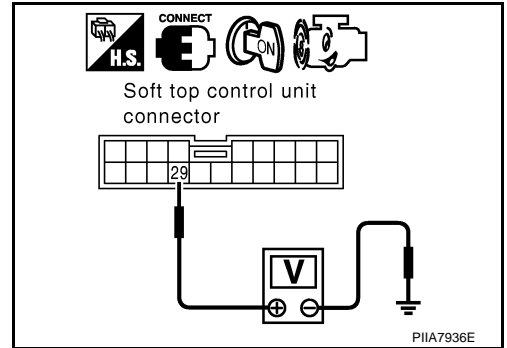
4. CHECK SOFT TOP CONTROL UNIT OUTPUT SIGNAL

1. Connect soft top control unit connector.
2. Start engine.
3. Check voltage between soft top control unit connector B67 terminal 29 and ground.

29 (R/Y) - Ground : Approx. 5V

OK or NG

- OK >> Replace 5th bow lock assembly in storage lid.
 NG >> Replace soft top control unit.



AIS00605

5th Bow Closure Motor Check

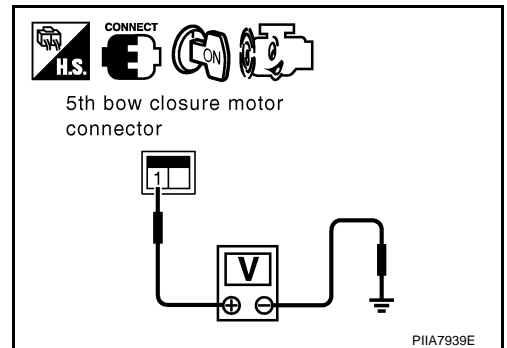
1. 5TH BOW CLOSURE MOTOR INPUT SIGNAL

1. Start engine.
2. Operate soft top switch CLOSE, check voltage between 5th bow closure motor connector and ground.

Connector	Terminal (Wire color)		Roof condition	Voltage (V) (Approx.)
	(+)	(-)		
T204	1 (W)	Ground	CL9 → CL10	0 → Battery voltage → 0

OK or NG

- OK >> Replace 5th bow closure motor.
 NG >> GO TO 2.



2. CHECK 5TH BOW CLOSURE MOTOR CIRCUIT

1. Turn ignition switch OFF.
2. Disconnect soft top control unit and 5th bow closure motor connector.
3. Check continuity between soft top control unit connector B66 terminal 4, 12 and 5th bow closure motor connector T204 terminal 1, 2.

4 (G/W) - 1 (W) : Continuity should exist.

12 (G/Y) - 2 (G) : Continuity should exist.

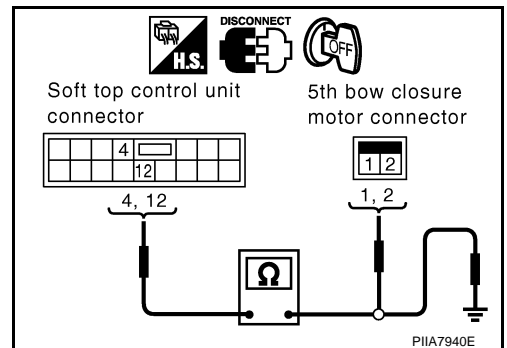
4. Check continuity between soft top control unit connector B66 terminal 4, 12 and ground.

4 (G/W) - Ground : Continuity should not exist.

12 (G/Y) - Ground : Continuity should not exist.

OK or NG

- OK >> Replace soft top control unit.
 NG >> Repair or replace harness.



SOFT TOP

AIS00606

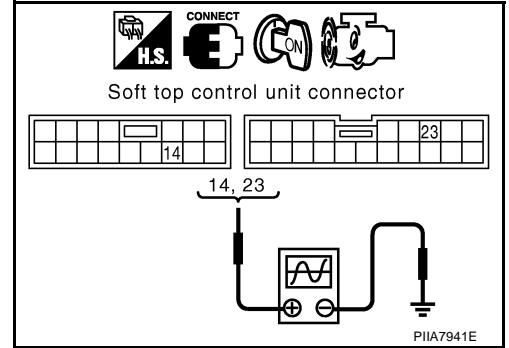
Operation Permission Condition Check

First perform the "SELF-DIAG RESULT" in "BCM" with CONSULT-II, then perform the each trouble diagnosis of malfunction system indicated "SELF-DIAG RESULT" of "BCM". Refer to [BCS-15, "CONSULT-II Function \(BCM\)"](#).

1. CHECK VEHICLE SPEED SIGNAL

1. Start engine.
2. Check the signal between soft top control unit connector and ground.

Connector	Terminal (Wire color)		Condition	Signal (Reference value.)
	(+)	(-)		
B66	14 (W)	Ground	Speedometer operated [When vehicle speed is Approx. 40km/h (25MPH)]	
B67	23 (W/G)			



OK or NG

- OK >> GO TO 3.
- NG >> GO TO 2.

SOFT TOP

2. CHECK VEHICLE SPEED SIGNAL CIRCUIT

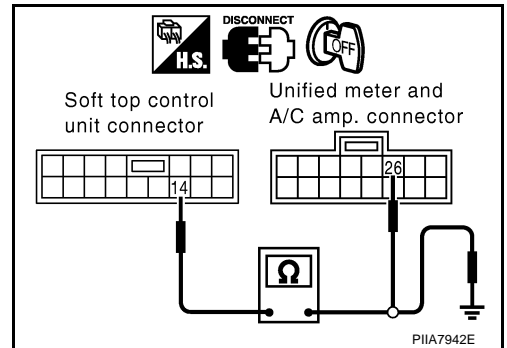
1. Turn ignition switch OFF.
2. Disconnect soft top control unit and unified meter and A/C amp connector.
3. Check the following.

- Continuity between soft top control unit connector B66 terminal 14 and unified meter and A/C amp connector M49 terminal 26.

14 (W) - 26 (W) : Continuity should exist.

- Continuity between soft top control unit connector B66 terminal 14 and ground.

14 (W) - Ground : Continuity should not exist.



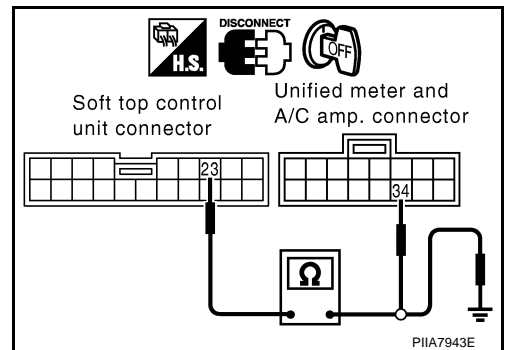
4. Check the following.

- Continuity between soft top control unit connector B67 terminal 23 and unified meter and A/C amp connector M49 terminal 34.

23 (W/G) - 34 (W/G) : Continuity should exist.

- Continuity between soft top control unit connector B67 terminal 23 and ground.

23 (W/G) - Ground : Continuity should not exist.



OK or NG

- OK >> Check unified meter and A/C amp. Refer to [DI-49, "System Description"](#).
- NG >> Repair or replace harness.

3. CHECK FUSE

- Check 10A fuse [No.20, located in fuse block (J/B)].

NOTE:

Refer to [RF-11, "Component Parts and Harness Connector Location"](#).

OK or NG

- OK >> GO TO 4.
- NG >> If fuse blown out, be sure to eliminate cause of malfunction before installing new fuse. Refer to [PG-3, "POWER SUPPLY ROUTING CIRCUIT"](#).

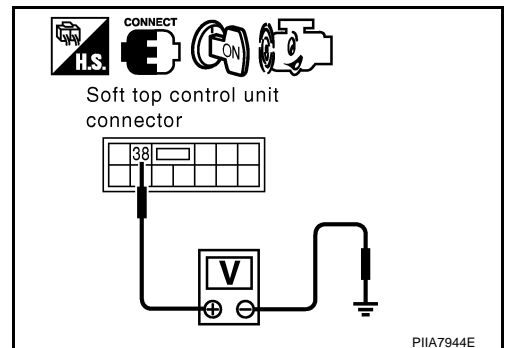
4. CHECK BRAKE PEDAL SIGNAL

Check voltage between soft top control unit connector and ground.

Connector	Terminal (Wire color)		Brake pedal condition	Voltage (V) (Approx.)
	(+)	(-)		
B68	38 (P/L)	Ground	Depressed	Battery voltage
			Released	0

OK or NG

- OK >> Operation permission condition is OK.
- NG >> GO TO 5.



SOFT TOP

5. CHECK BRAKE PEDAL SIGNAL CIRCUIT

1. Turn ignition switch OFF.
2. Disconnect soft top control unit and stop lamp switch connector.
3. Check the following.

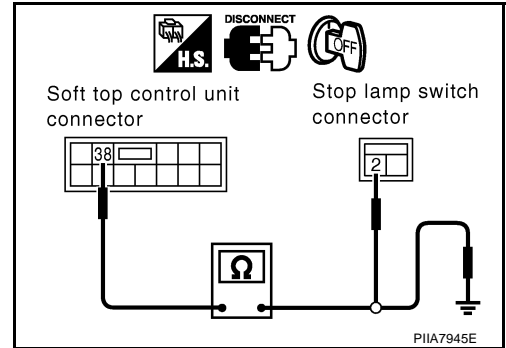
(M/T Models)

- Continuity between soft top control unit connector B68 terminal 38 and stop lamp switch connector E112 terminal 2.

38 (P/L) - 2 (P/L) : Continuity should exist.

- Continuity between soft top control unit connector B68 terminal 38 and ground.

38 (P/L) - Ground : Continuity should not exist.



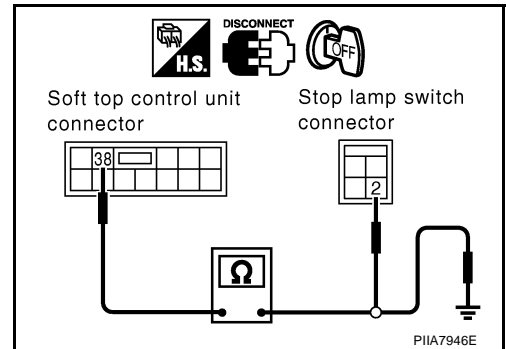
(A/T Models)

- Continuity between soft top control unit connector B68 terminal 38 and stop lamp switch connector E111 terminal 2.

38 (P/L) - 2 (P/L) : Continuity should exist.

- Continuity between soft top control unit connector B68 terminal 38 and ground.

38 (P/L) - Ground : Continuity should not exist.



OK or NG

OK >> GO TO 6.

NG >> Repair or replace harness.

SOFT TOP

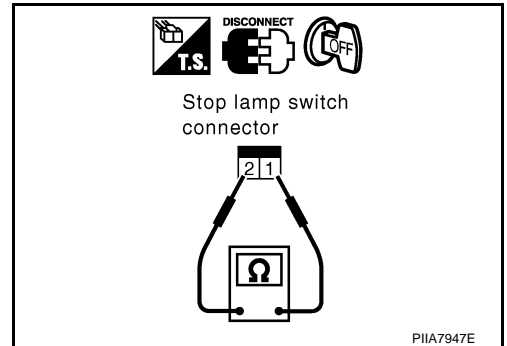
6. CHECK STOP LAMP SWITCH

1. Check the following.

(M/T Models)

- Continuity between stop lamp switch connector E112 terminal 1 and 2.

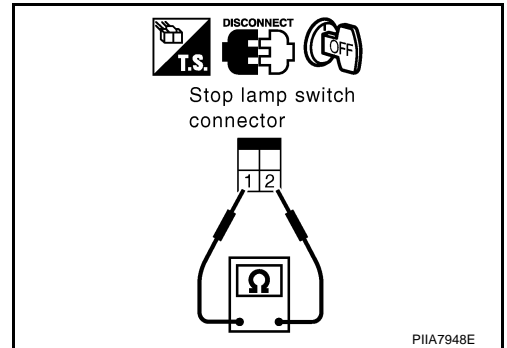
Connector	Terminal		Brake pedal condition	Continuity
	1	2		
E112	1	2	Depressed	Yes
			Released	No



(A/T Models)

- Continuity between stop lamp switch connector E111 terminal 1 and 2.

Connector	Terminal		Brake pedal condition	Continuity
	1	2		
E111	1	2	Depressed	Yes
			Released	No



OK or NG

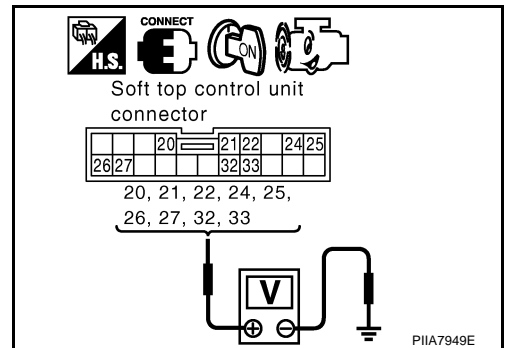
- OK >> Check condition of harness and connector.
- NG >> Replace stop lamp switch.

Each Switch Condition Check (Open Operate)

1. CHECK EACH SWITCH SIGNAL

1. Start engine.
2. Check voltage between soft top control unit connector and ground.

Connector	Terminal (Wire color)		Roof condition	Voltage (V) (Approx.)
	(+)	(-)		
B67	20 (W/B)	Ground	Full closed	5
	21 (W/L)			
	22 (W/R)			
	24 (G)			
	25 (L/Y)			
	26 (LG)			
	27 (W/G)			
	32 (W)			
33 (P)				



OK or NG

- OK >> Each switch condition is OK.
- NG >> Check malfunction switch.

SOFT TOP

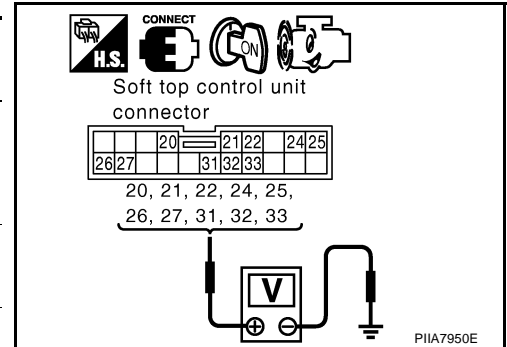
Each Switch Condition Check (Close Operate)

AIS00608

1. CHECK EACH SWITCH SIGNAL

1. Start engine.
2. Check voltage between soft top control unit connector and ground.

Connector	Terminal (Wire color)		Roof condition	Voltage (V) (Approx.)
	(+)	(-)		
B67	20 (W/B)	Ground	Full opened	0
	21 (W/L)			
	22 (W/R)			
	24 (G)			5
	25 (L/Y)			
	26 (LG)			
	27 (W/G)			0
	31 (L)			
	32 (W)			
33 (P)	5			



OK or NG

- OK >> Each switch condition is OK.
 NG >> Check malfunction switch.

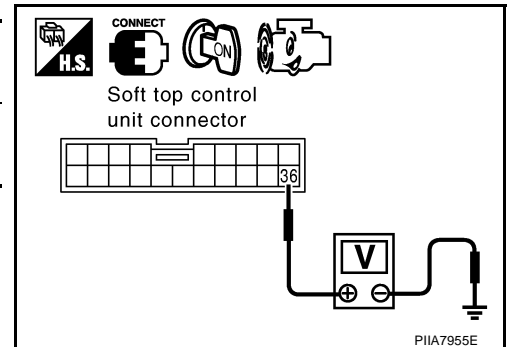
Power Window Down Request Signal Check

AIS00609

1. CHECK POWER WINDOW REQUEST SIGNAL

1. Start engine.
2. Soft top switch operate, check voltage between soft top control unit connector and ground.

Connector	Terminal (Wire color)		Roof condition	Voltage (V) (Approx.)
	(+)	(-)		
B67	36 (Y/G)	Ground	OP1 → OP11	5 → 0 → 5
			CL1 → CL10	



OK or NG

- OK >> Check the condition of harness and connector.
 NG >> Replace soft top control unit.

Power Window Harness Check

AIS0060A

1. CHECK POWER WINDOW CIRCUIT

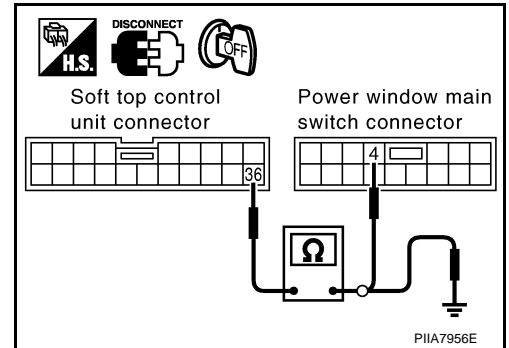
1. Turn ignition switch OFF.
2. Disconnect soft top control unit, power window main switch and power window sub-switch connector.
3. Check the following.

- Continuity between soft top control unit connector B67 terminal 36 and power window main switch connector D7 terminal 4.

36 (Y/G) - 4 (B/R) : Continuity should exist.

- Continuity between soft top control unit connector B67 terminal 36 and ground.

36 (Y/G) - Ground : Continuity should not exist.



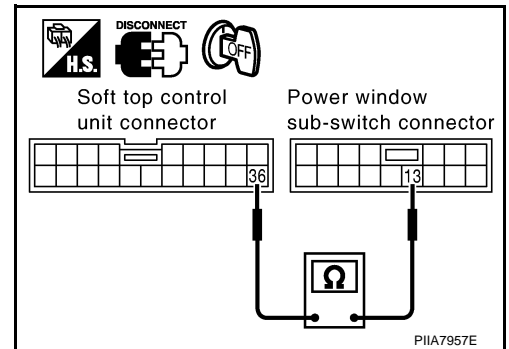
4. Check the following.

- Continuity between soft top control unit connector B67 terminal 36 and power window sub-switch connector D37 terminal 13.

36 (Y/G) - 13 (P) : Continuity should exist.

OK or NG

- OK >> Replace malfunction power window switch.
- NG >> Repair or replace harness.



Passenger Side Seat Operate Signal Check 1

AIS0060B

1. CHECK PASSENGER SIDE SEAT CIRCUIT

1. Turn ignition switch OFF.
2. Disconnect soft top control unit and passenger side seat control unit connector.
3. Check continuity between soft top control unit connector B67 terminal 36 and passenger side seat control unit connector B353 terminal 16.

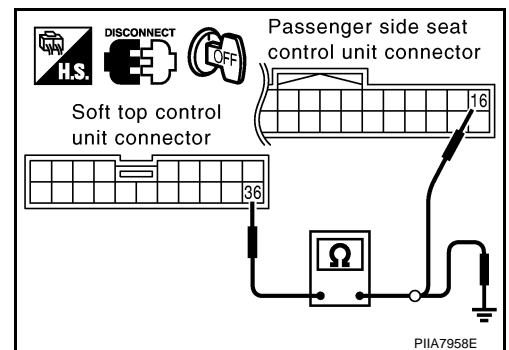
36 (Y/G) - 16 (PU/W) : Continuity should exist.

4. Check continuity between soft top control unit connector B67 terminal 36 and ground.

36 (Y/G) - Ground : Continuity should not exist.

OK or NG

- OK >> Replace passenger side seat control unit.
- NG >> Repair or replace harness.



SOFT TOP

Passenger Side Seat Operate Signal Check 2

AIS0060C

1. CHECK PASSENGER SIDE SEAT CIRCUIT

1. Turn ignition switch OFF.
2. Disconnect soft top control unit, storage lid actuator RH and passenger side seat control unit connector.
3. Check continuity between soft top control unit connector B66 terminal 13 and passenger side seat control unit connector B354 terminal 33.

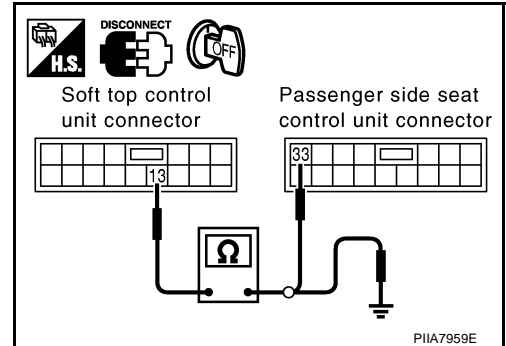
13 (L/R) - 33 (G/B) : Continuity should exist.

4. Check continuity between soft top control unit connector B66 terminal 13 and ground.

13 (L/R) - Ground : Continuity should not exist.

OK or NG

- OK >> Replace passenger side seat control unit.
 NG >> Repair or replace harness.



PIIA7959E

Passenger Side Seat Operate Signal Check 3

AIS0060D

1. CHECK PASSENGER SIDE SEAT CIRCUIT

1. Turn ignition switch OFF.
2. Disconnect soft top control unit, passenger side seat control unit and soft top lock switch connector.
3. Check continuity between soft top control unit connector B67 terminal 30 and passenger side seat control unit connector B353 terminal 11.

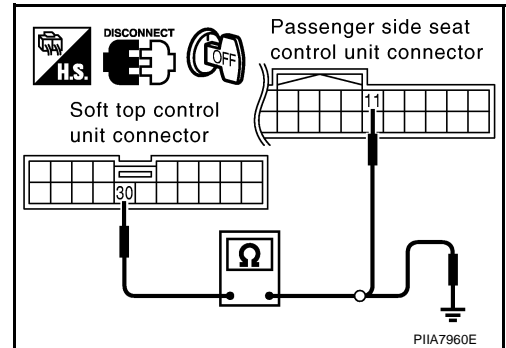
30 (Y/R) - 11 (L/W) : Continuity should exist.

4. Check continuity between soft top control unit connector B67 terminal 30 and ground.

30 (Y/R) - Ground : Continuity should not exist.

OK or NG

- OK >> Replace passenger side seat control unit.
 NG >> Repair or replace harness.



PIIA7960E

Seat Back Position Signal Check

AIS0060E

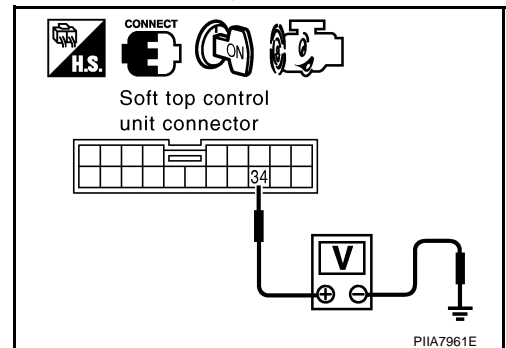
1. CHECK SEAT BACK POSITION SIGNAL

1. Start engine.
2. The thing whose seat cancel switch is OFF is confirmed.
3. Soft top switch operate, check voltage between soft top control unit connector and ground.

Connector	Terminal (Wire color)		Seat condition	Voltage (V) (Approx.)
	(+)	(-)		
B67	34 (L/W)	Ground	When passenger seat inclines forward	5
			Other than above	0

OK or NG

- OK >> Replace soft top control unit.
 NG >> GO TO 2.



PIIA7961E

SOFT TOP

2. CHECK SEAT BACK POSITION SIGNAL CIRCUIT

1. Turn ignition switch OFF.
2. Disconnect soft top control unit and passenger side seat control unit connector.
3. Check continuity between soft top control unit connector B67 terminal 34 and passenger side seat control unit connector B353 terminal 32.

34 (L/W) - 32 (G/W) : Continuity should exist.

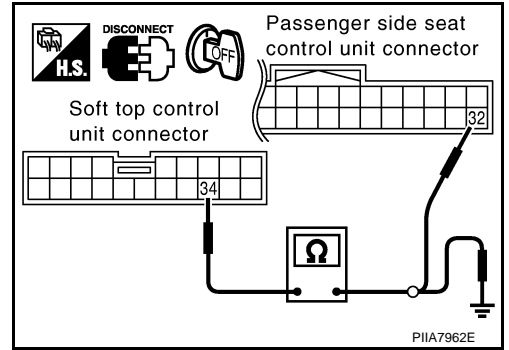
4. Check continuity between soft top control unit connector B67 terminal 34 and ground.

34 (L/W) - Ground : Continuity should not exist.

OK or NG

OK >> Check passenger side seat. Refer to [SE-36, "Trouble Diagnosis Symptom Chart"](#).

NG >> Repair or replace harness.



Speed Signal Circuit Check

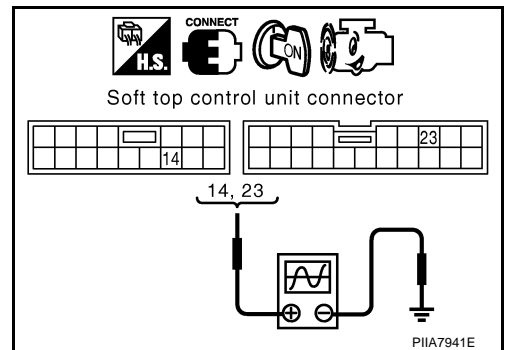
AIS0060F

First perform the "SELF-DIAG RESULT" in "BCM" with CONSULT-II, then perform the each trouble diagnosis of malfunction system indicated "SELF-DIAG RESULT" of "BCM". Refer to [BCS-15, "CONSULT-II Function \(BCM\)"](#).

1. CHECK VEHICLE SPEED SIGNAL

1. Start engine.
2. Check the signal between soft top control unit connector and ground.

Connector	Terminal (Wire color)		Condition	Signal (Reference value.)
	(+)	(-)		
B66	14 (W)	Ground	Speedometer operated [When vehicle speed is Approx. 40km/h (25MPH)]	
B67	23 (W/G)			



OK or NG

OK >> Replace soft top control unit.

NG >> GO TO 2.

SOFT TOP

2. CHECK VEHICLE SPEED SIGNAL CIRCUIT

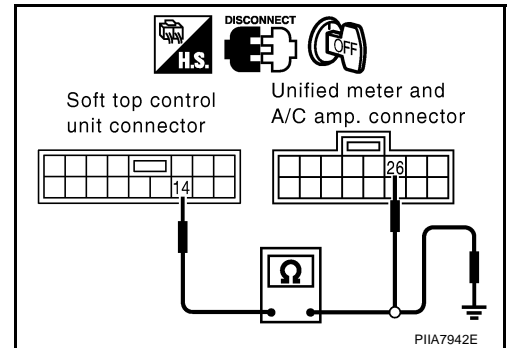
1. Turn ignition switch OFF.
2. Disconnect soft top control unit and unified meter and A/C amp connector.
3. Check the following.

- Continuity between soft top control unit connector B66 terminal 14 and unified meter and A/C amp connector M49 terminal 26.

14 (W) - 26 (W) : Continuity should exist.

- Continuity between soft top control unit connector B66 terminal 14 and ground.

14 (W) - Ground : Continuity should not exist.



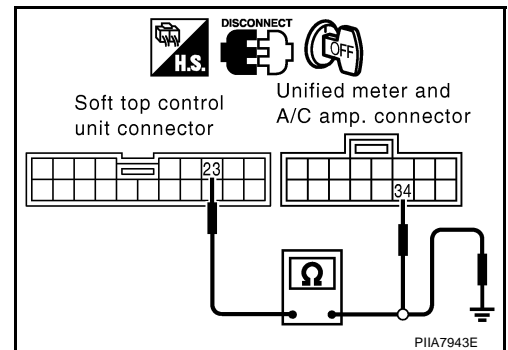
4. Check the following.

- Continuity between soft top control unit connector B67 terminal 23 and unified meter and A/C amp connector M49 terminal 34.

23 (W/G) - 34 (W/G) : Continuity should exist.

- Continuity between soft top control unit connector B67 terminal 23 and ground.

23 (W/G) - Ground : Continuity should not exist.



OK or NG

- OK >> Check unified meter and A/C amp. Refer to [DI-49, "System Description"](#).
- NG >> Repair or replace harness.

Indicator Lamp Circuit Check

1. CHECK FUSE

- Check 10A fuse [No.14, located in fuse block (J/B)]

NOTE:

Refer to [RF-11, "Component Parts and Harness Connector Location"](#).

OK or NG

- OK >> GO TO 3.
- NG >> If fuse blown out, be sure to eliminate cause of malfunction before installing new fuse. Refer to [PG-3, "POWER SUPPLY ROUTING CIRCUIT"](#).

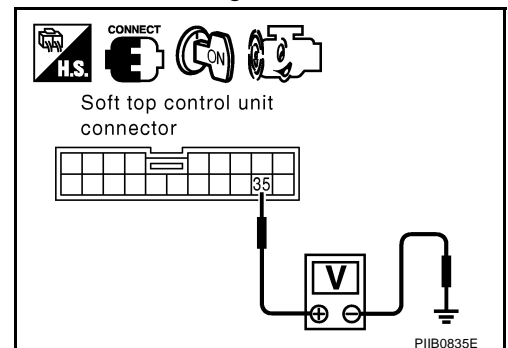
2. CHECK INDICATOR LAMP SIGNAL

1. Start engine.
2. Soft top switch operate, check voltage between soft top control unit connector and ground.

Connector	Terminal (Wire color)		Roof condition	Voltage (V) (Approx.)
	(+)	(-)		
B67	35 (BR)	Ground	In position on the way	0
			Full open or full close	Battery voltage

OK or NG

- OK >> Check the condition of the harness and the connector.
- NG - 1 >> If battery voltage : Replace soft top control unit.
- NG - 2 >> If 0V : GO TO 3.



SOFT TOP

3. CHECK INDICATOR LAMP CIRCUIT

1. Turn ignition switch OFF.
2. Disconnect soft top control unit and combination meter connector.
3. Check continuity between soft top control unit connector B67 terminal 35 and combination meter connector M19 terminal 13.

35 (BR) – 13 (G/W) : Continuity should exist.

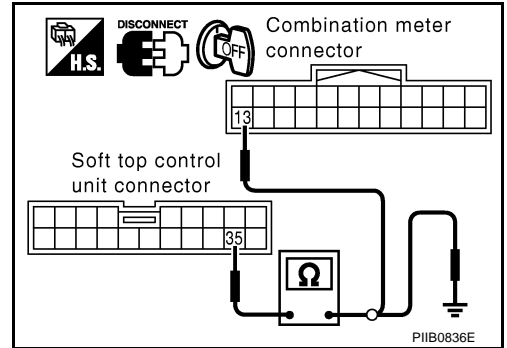
4. Check continuity between soft top control unit connector B67 terminal 35 and ground.

35 (BR) – Ground : Continuity should not exist.

OK or NG

OK >> GO TO 4.

NG >> Repair or replace harness.



4. CHECK INDICATOR LAMP POWER SUPPLY

1. Turn ignition switch ON.
2. Check voltage between combination meter connector M19 terminal 23 and ground.

23 (G/Y) – Ground : Battery voltage

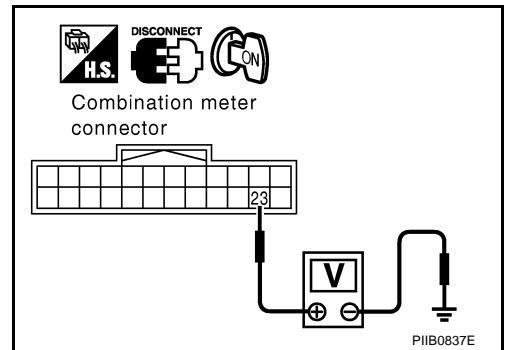
OK or NG

OK >> Check the Condition of the Harness and the Connector.

- If OK : Replace combination meter.

- If NG : Repair or replace harness.

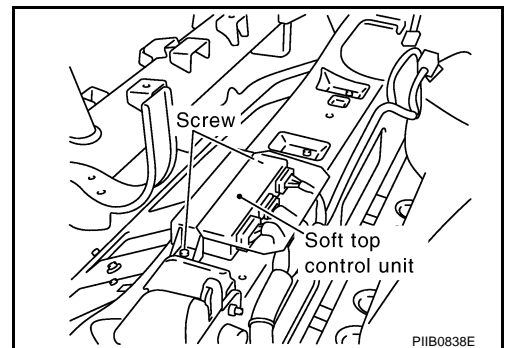
NG >> Repair or replace harness.



Removal and Installation of Soft Top Control Unit

REMOVAL

1. Push the soft top switch on the close side to clear the soft top strage room, and release the buttom before strage lid starts closing.
2. Remove trim parts and turn the front side of storage room finisher. [RF-125, "Removal and Installation of Storage Room Finisher"](#)
3. Disconnect soft top control unit connector, remove the screw and soft top control unit.



INSTALLATION

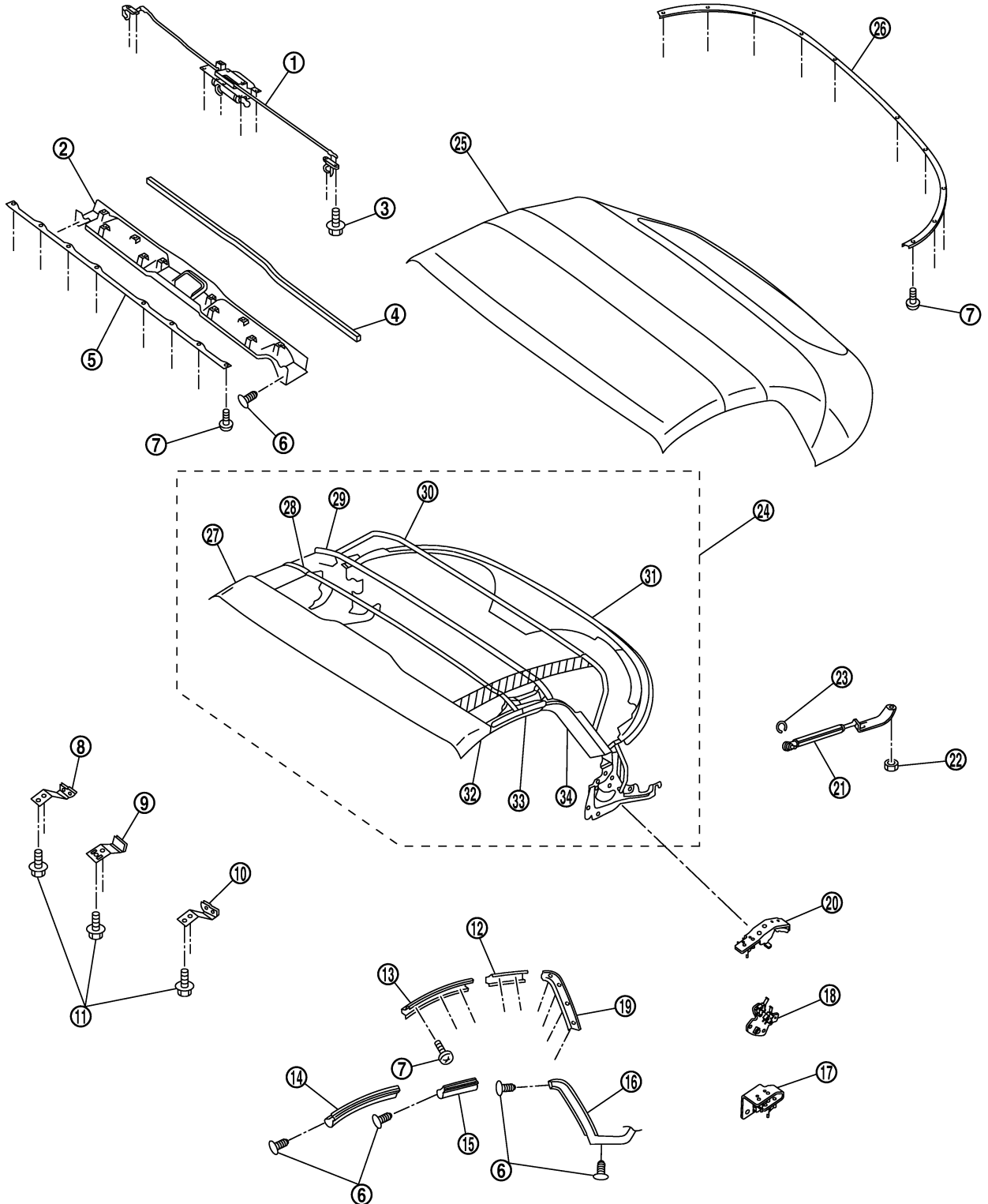
Installation in the reverse order of removal.

SOFT TOP

Component Parts Drawing

AI500601

SEC. 737



PIIB1399E

SOFT TOP

- | | | |
|-------------------------------------|-------------------------------|---------------------------------|
| 1. Front lock | 2. Front lock finisher | 3. TORX bolt (T30) |
| 4. Welt | 5. Front center retainer | 6. Clip |
| 7. Screw | 8. Front lock striker, RH | 9. Front lock striker, center |
| 10. Front lock striker, LH | 11. Bolt | 12. B link retainer |
| 13. A link retainer | 14. A link weatherstrip | 15. B link weatherstrip |
| 16. C link and 5th bow weatherstrip | 17. Soft top switch bracket 1 | 18. Soft top switch bracket 2 |
| 19. C link retainer | 20. Plate rail RR bracket | 21. 5th bow operating strut rod |
| 22. Nut | 23. Holder | 24. Soft top frame |
| 25. Soft top cover | 26. 5th bow retainer | 27. 1st bow |
| 28. 2nd bow | 29. 3rd bow | 30. 4th bow |
| 31. 5th bow | 32. A link | 33. B link |
| 34. C link | | |

A
B
C
D
E
F
G
H
J
K
L
M

Removal and Installation of Soft Top Assembly

AIS0060J

CAUTION:

Install fender cover to protect rear fender.

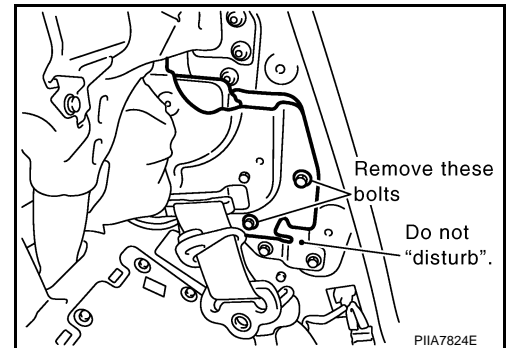
REMOVAL

1. Fully open storage lid with soft top retracting.
2. Remove seat belt sholder bolt. Refer to [SB-6, "REMOVAL OF SEAT BELT RETRACTOR"](#) .
3. Remove rear side finisher. Refer to [EI-37, "REAR SIDE FINISHER"](#) .
4. Remove back panel finisher. Refer to [EI-42, "BACK PANEL FINISHER"](#) .
5. Loosen bolts at soft top mounting bracket (front).

CAUTION:

Do not remove soft top mounting bracket (front) (body side).

 **Nut : 28.0 N·m (2.9 kg·m, 21 ft·lb)**

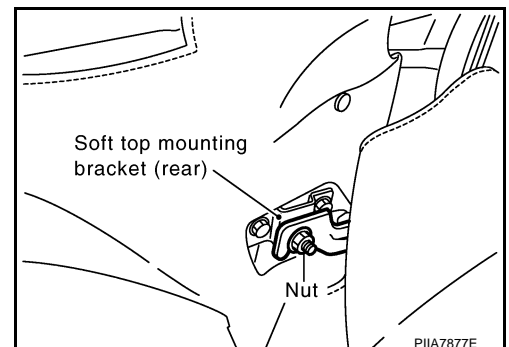


6. Close soft top until 5th bow are raised and folded with C-link. Loosen nut at soft top mounting bracket (rear). Then fold (open) soft top assembly completely.

CAUTION:

Do not remove soft top mounting bracket (rear) (body side).

 **Bolt : 28.0 N·m (2.9 kg·m, 21 ft·lb)**



7. Remove back panel bracket.


RF

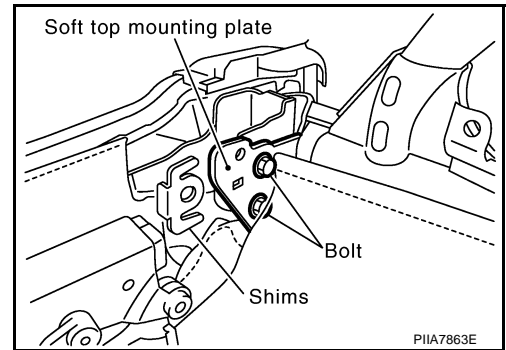
SOFT TOP

8. Remove bolts, at the soft top mounting plate and shims.

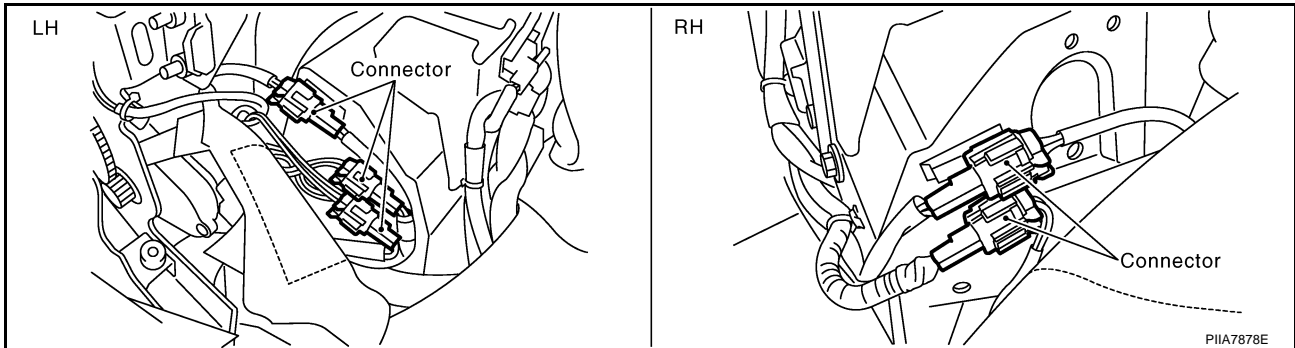
CAUTION:

Do not replace left and right shims with each one with different thickness.

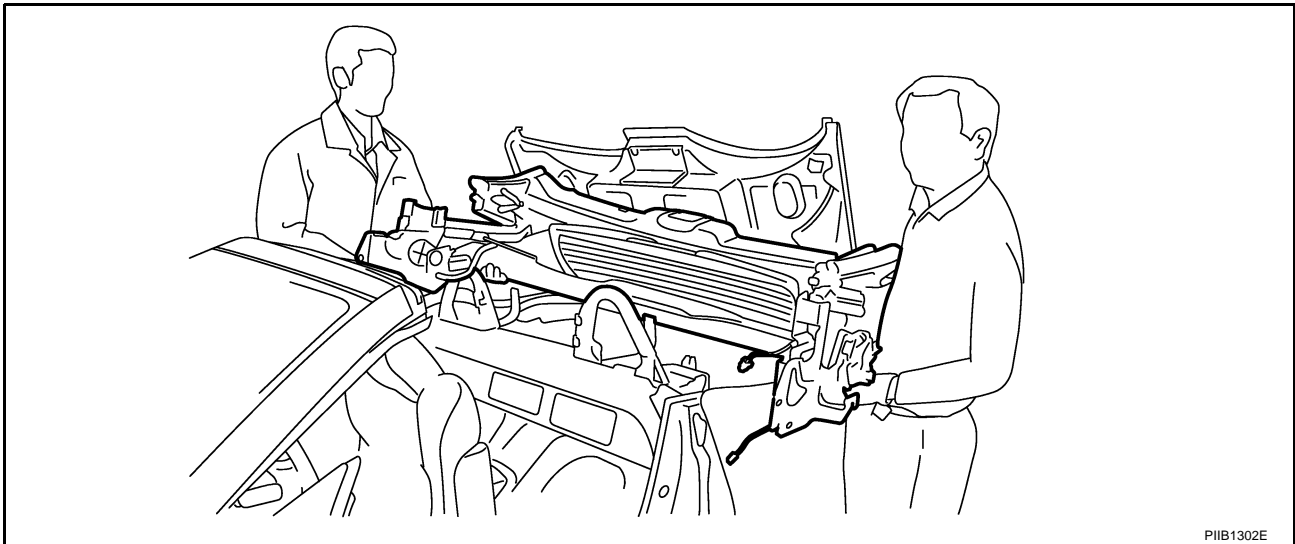
 Bolt: 28.0 N-m (2.9 kg-m, 21 ft-lb)



9. Disconnect harness connector.



10. Lift up soft top assembly from left and right, and then remove soft top assembly



CAUTION:

2 workers are required for the heavy load of approximately 40 kg (89 lb).

INSTALLATION

Install in the reverse order of removal except the order of tightening bolts and nuts. (See note below.)

NOTE:

- Before tighten soft top fixing bolts and nuts, make sure that soft top is sat on each pins from soft top mounting brackets without any gaps.
To sit soft top correctly, follow this order.
1. Push soft top assembly down when nuts at soft top mounting bracket (rear) is tighten.
 2. Close soft top until the angle of A-link becomes vertical against ground, then tighten bolts at soft top mounting bracket (front).
 3. Tighten bolts at soft top mounting plate with shims, then attach back panel bracket with bolts.

SOFT TOP

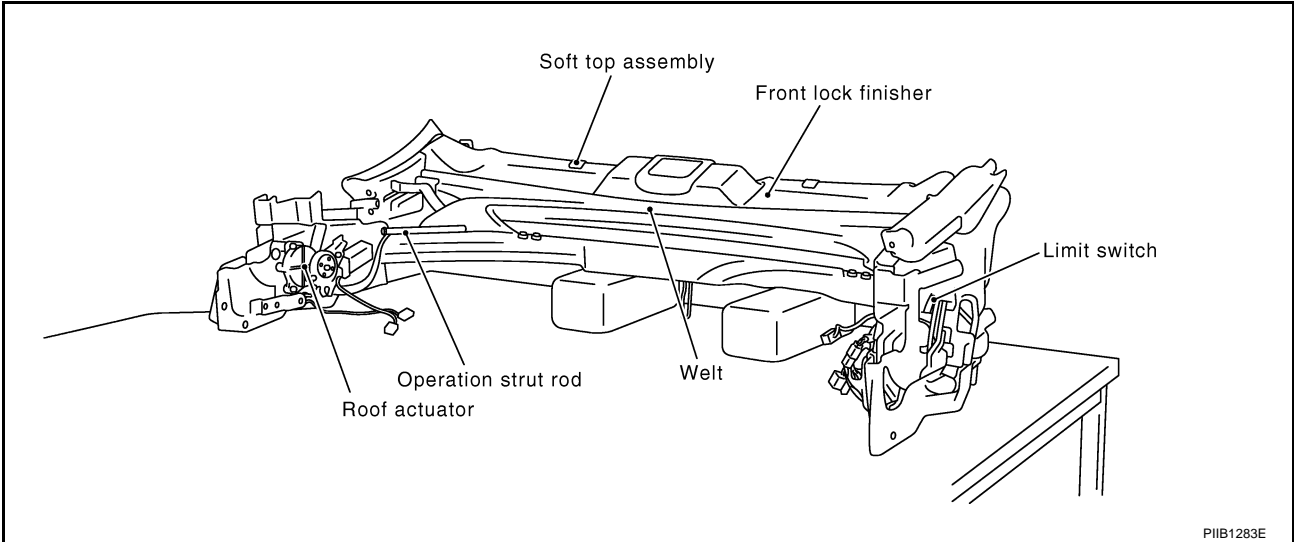
AIS0060K

Removal and Installation of Soft Top Cover

REMOVAL

CAUTION:

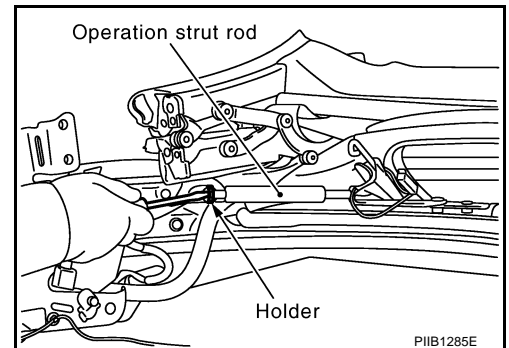
- Do not reuse used double-faced adhesive tape, nonwoven fabric, EPT seal, pad, etc.
 - Be careful not to damage soft top assembly during removal. Do not place it upside-down so as to prevent cover from compression scars.
1. Remove soft top assembly from the vehicle. Refer to [RF-87, "Removal and Installation of Soft Top Assembly"](#).
 2. Set up the soft top assembly on the table.



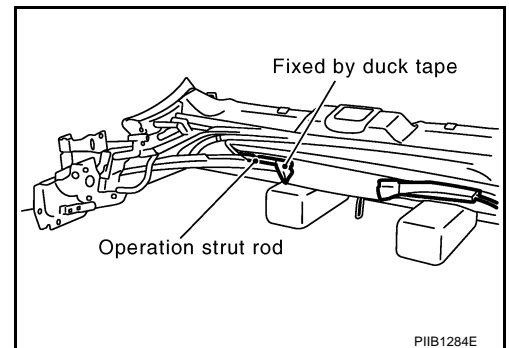
3. Remove roof actuator (RH/LH). Refer to [RF-107, "Removal and Installation of Roof Actuator"](#).
4. Remove holder of 5th bow operation strut rods, and then remove 5th bow operation strut rods.

CAUTION:

- When 5th bow operating strut rods are removed, 5th bow drops suddenly.
Perform operation while holding 5th bow.



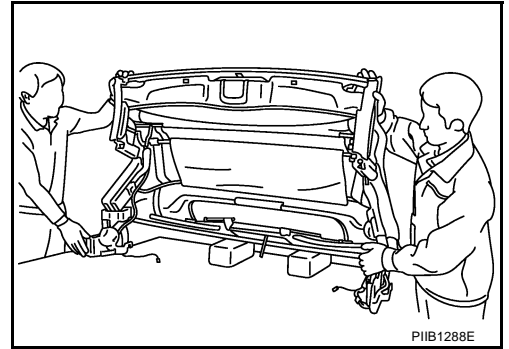
- Temporarily fix 5th bow operating strut rods on 5th bow finisher after removal.



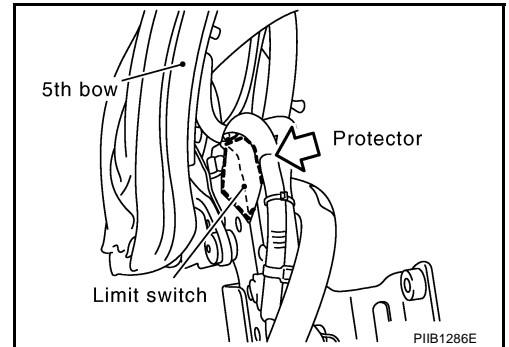
A
B
C
D
E
F
G
H
RF
J
K
L
M

SOFT TOP

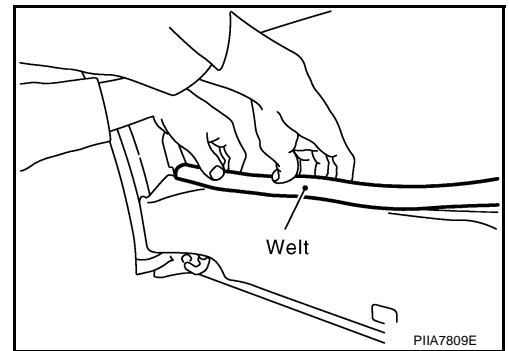
5. Open soft top assembly.



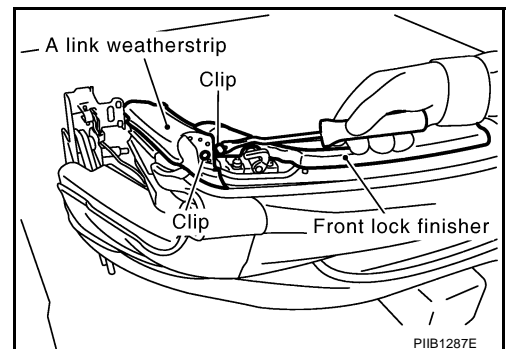
6. Protect the limit switch contact around the rotation axis of the 5th bow on the left side of soft top with tape.



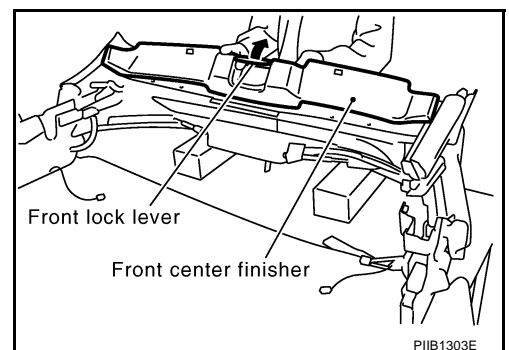
7. Remove welt on the rear end of front lock finisher.



8. Remove left/right clips on the front end of front lock finisher.

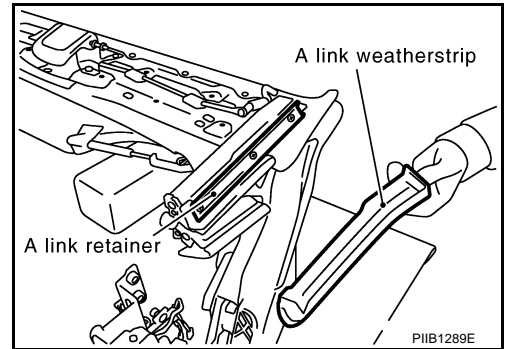


9. Pull up front lock lever, and then disengage clips to remove front lock finisher.

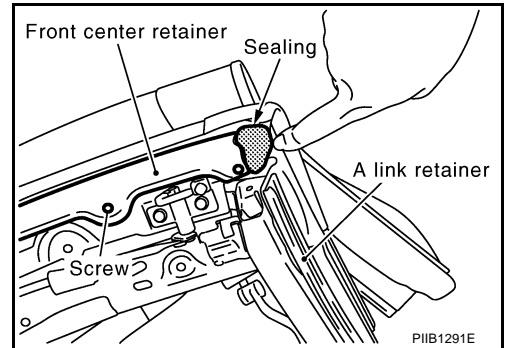


SOFT TOP

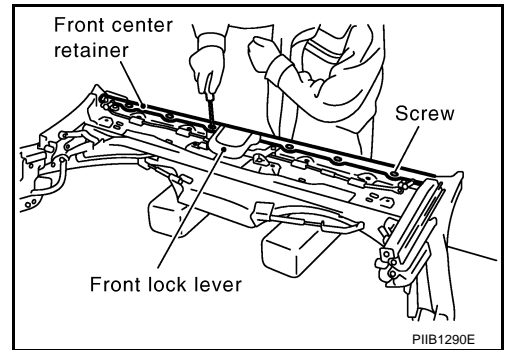
10. Remove clip, and then A link weatherstrip.



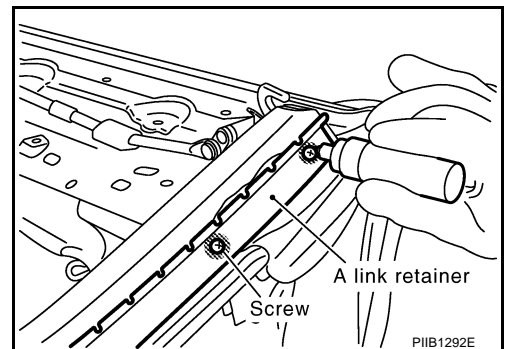
11. Peel a link sealing out.



12. Remove screws, and then remove front center retainer.



13. Put matching marks to installation position of A link retainer.

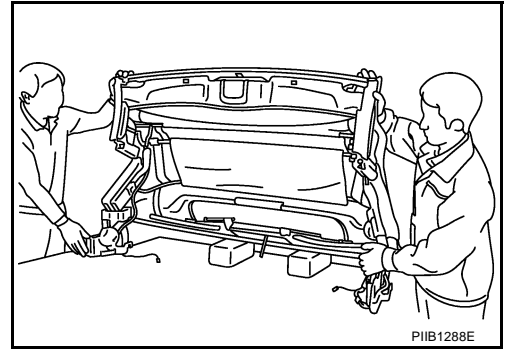


14. Remove screws, and then remove A link retainer.

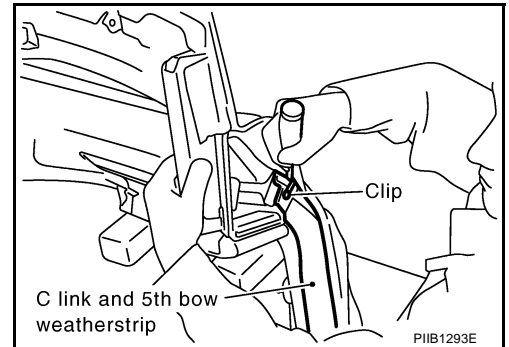
A
B
C
D
E
F
G
H
RF
J
K
L
M

SOFT TOP

15. Open soft top about 90 degrees.



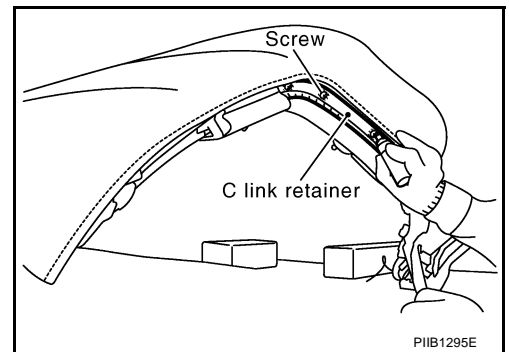
16. Remove clips on the top of C link and 5th bow weatherstrip.



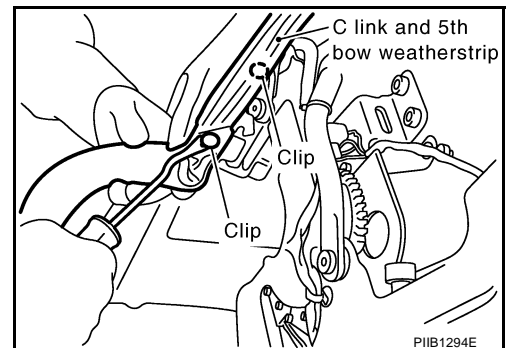
17. Fully open soft top.

18. Put matching marks to installation position on C link retainer.

19. Remove screws, and then remove C link retainer.

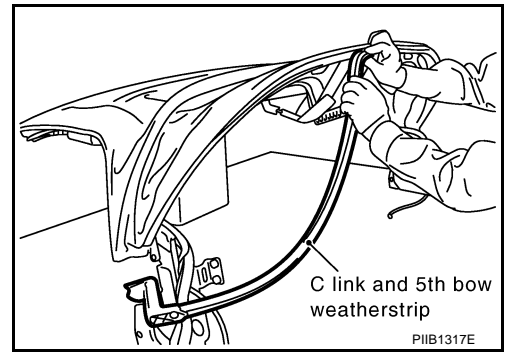


20. Remove clips on the bottom edge of C link and 5th bow weatherstrip.

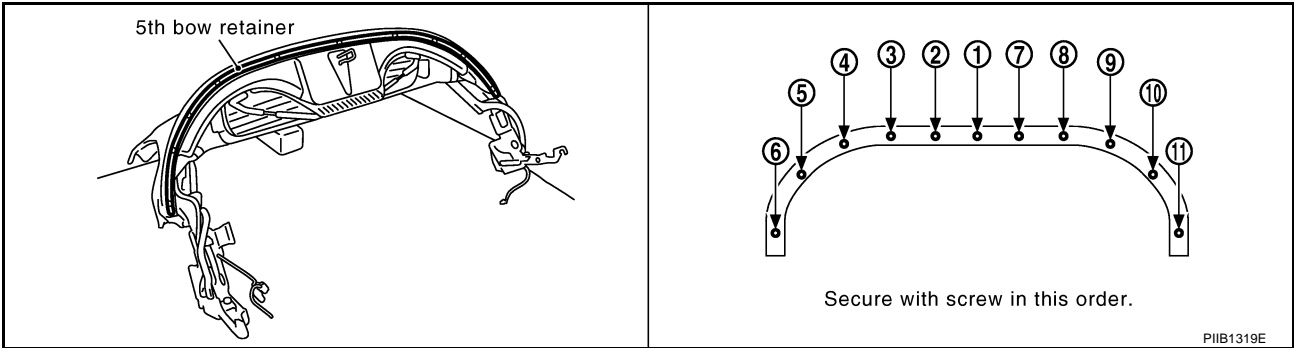


SOFT TOP

21. Remove C link and 5th bow weatherstrip from 5th bow.

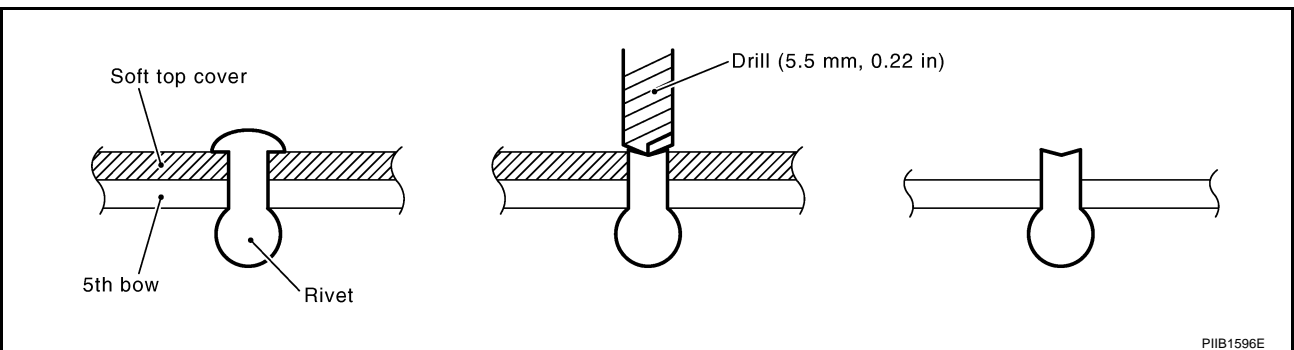
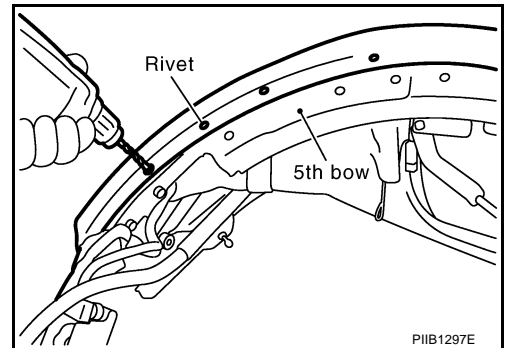


22. Remove screws, and then remove 5th bow retainer.



23. Shave rivets head of soft top cover 5th bow by using a drill.
[Drill bit diameter: 5.5 mm (0.22 in)]

CAUTION:
Do not attempt to remove rivets completely.



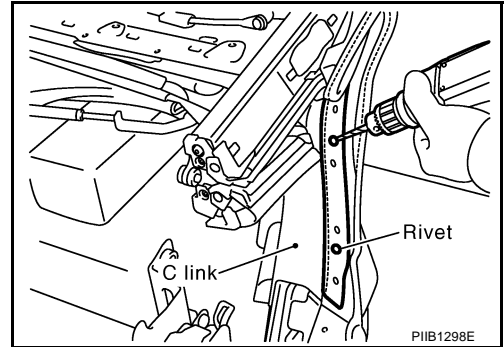
A
B
C
D
E
F
G
H
RF
J
K
L
M

SOFT TOP

24. Close soft top, and then Shave rivets head and of C link by using a drill.
[Drill bit diameter: 5.5 mm (0.22 in)]

CAUTION:

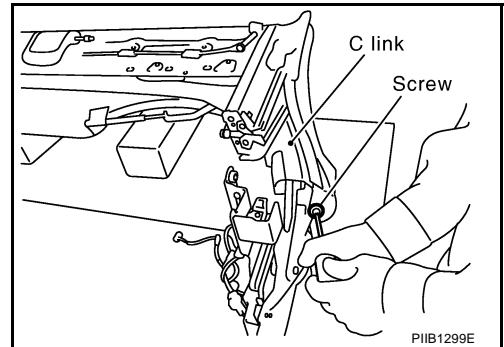
Do not attempt to remove rivets completely.



25. Cut EPT seal and remove screws on the bottom of C link.

NOTE:

Check the position when cutting EPT seal.

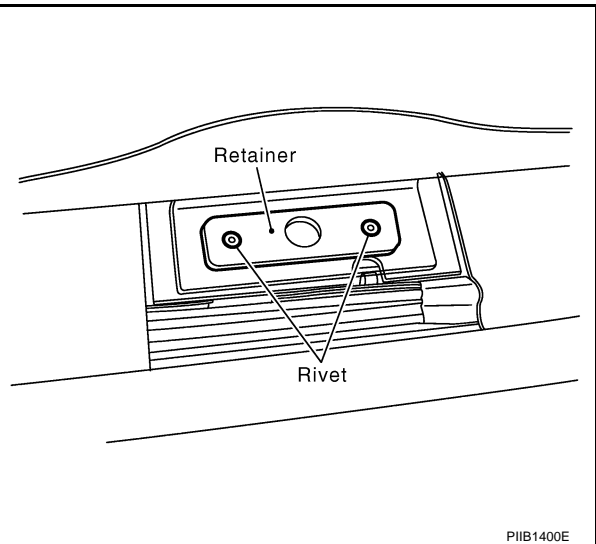
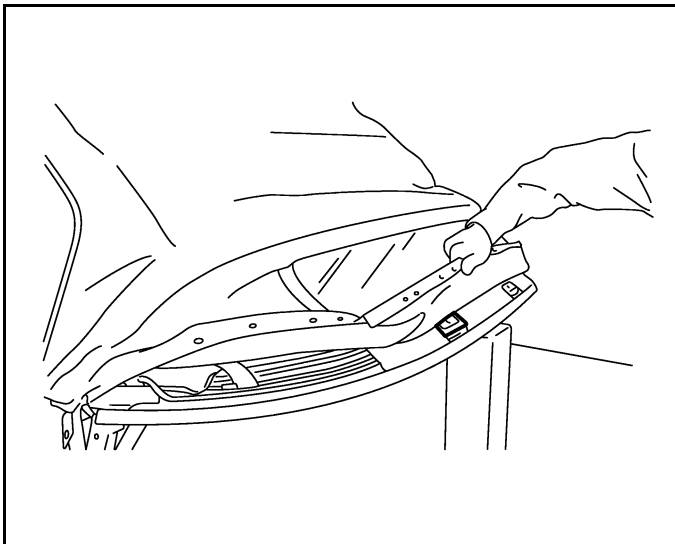


26. Pull up soft top cover from 5th bow finisher.

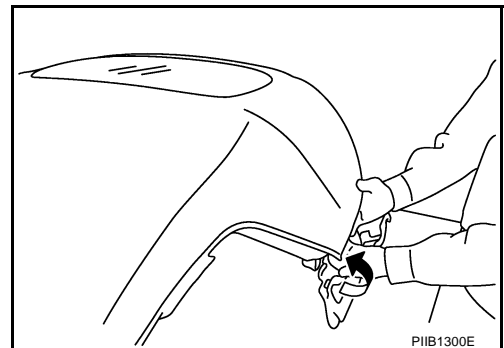
27. Shave rivets head of 5th bow finisher upper surface, and then remove rivets head and remove retainer.
[Drill bit diameter: 5.5 mm (0.22 in)]

CAUTION:

- Do not attempt to remove rivets completely.
- Be careful not to damage soft top when using a drill.

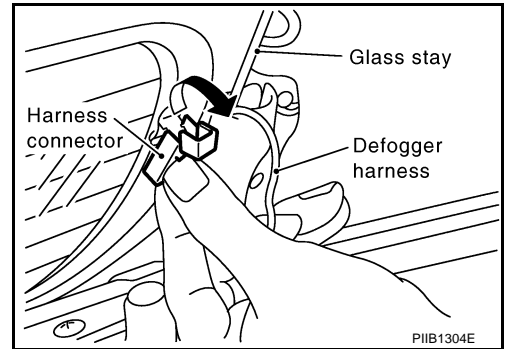


28. Pull up cover from the bottom of C link.

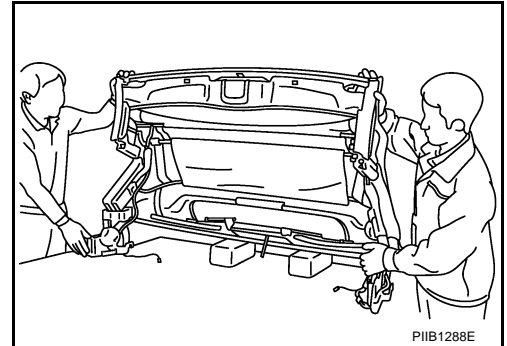


SOFT TOP

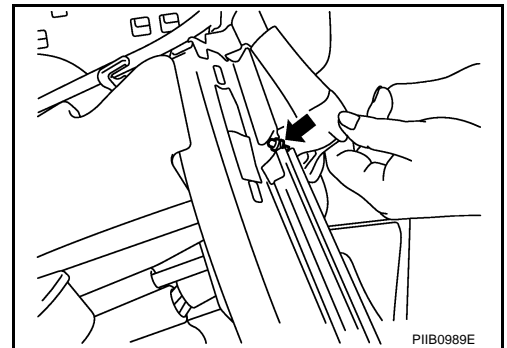
29. Open harness connector cover, and then disconnect defogger harness connector from terminal.



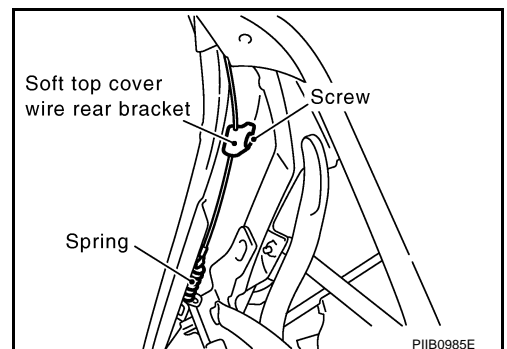
30. Open soft top about 90 degrees.



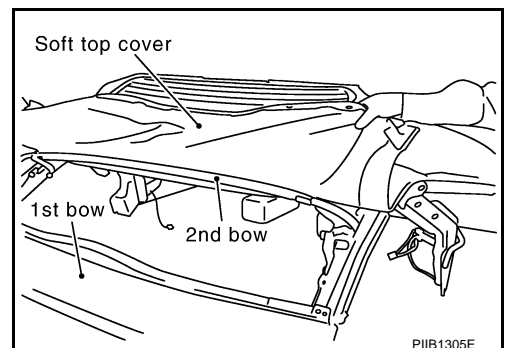
31. Remove soft top wire from A link.



32. Remove soft top cover wire rear bracket from C link.
33. Remove spring from C link.



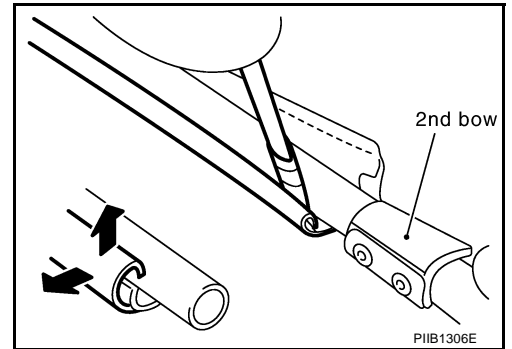
34. Pull out soft top cover frontward from 1st bow.



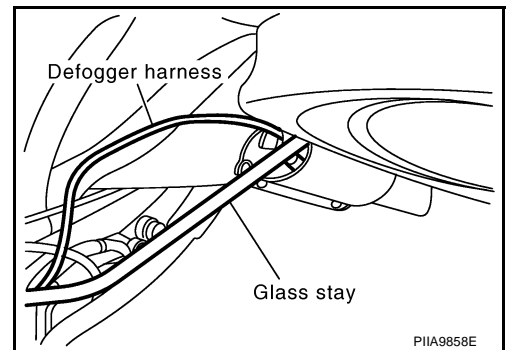
A
B
C
D
E
F
G
H
RF
J
K
L
M

SOFT TOP

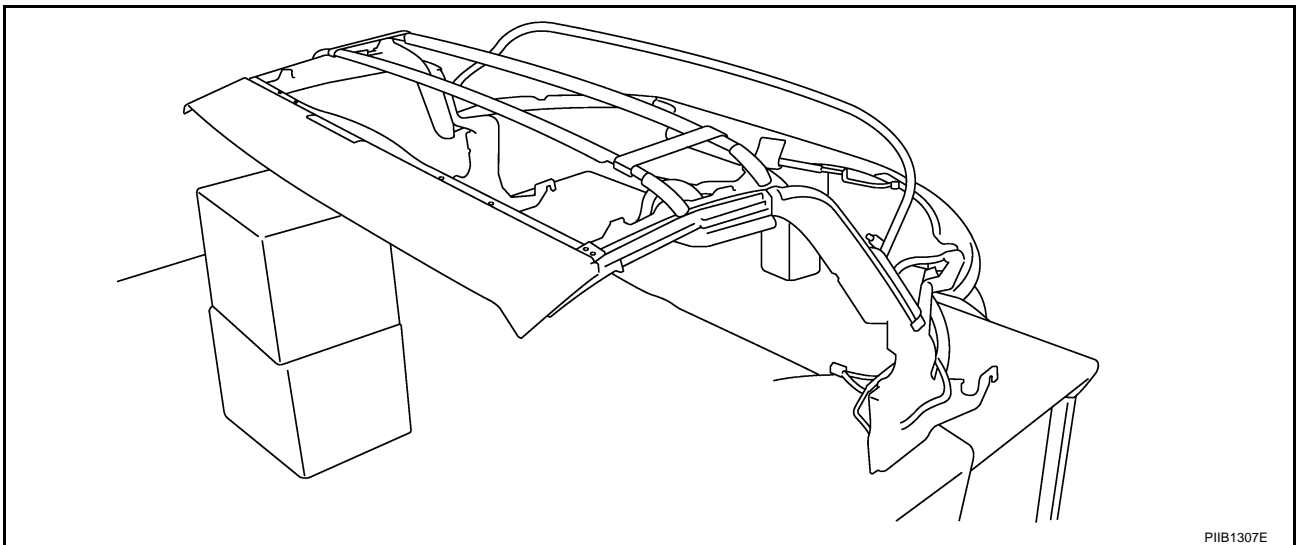
35. Pull up 2nd bow retainer by using a screwdriver, and then remove soft top cover from 2nd bow.



36. Pull up 3rd bow retainer by using a screwdriver, and then remove soft top cover from 3rd bow.
37. Pull out glass stay and defogger harness from sleeve on rear window glass side.



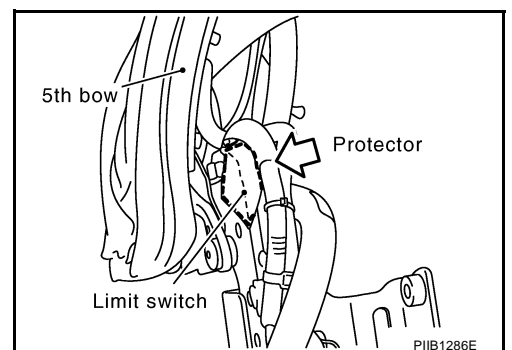
38. Pull out soft top cover from 4th bow and remove soft top cover completely from frame.



INSTALLATION

CAUTION:

Make sure that the limit switch contact around the rotation axis of the 5th bow on the left side of soft top is protected with tape.



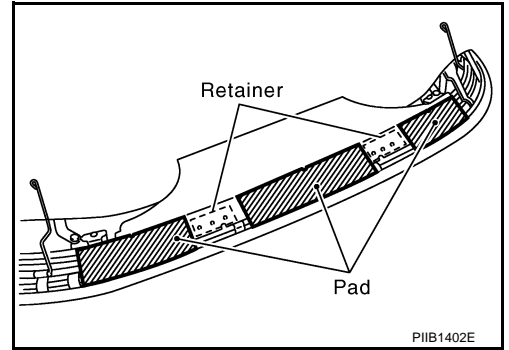
SOFT TOP

Preparation Work

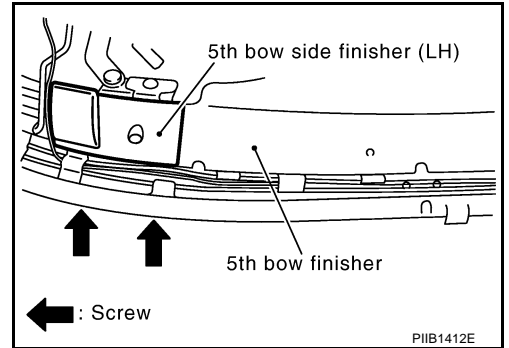
1. Remove 5th bow finisher pads.

NOTE:

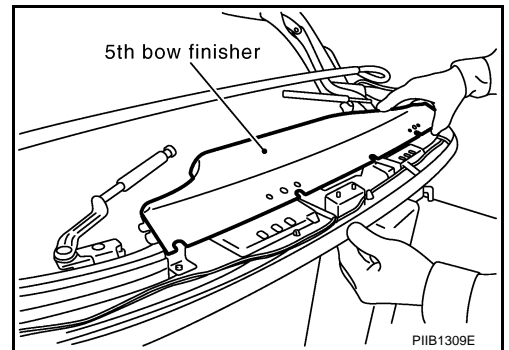
Put matching marks so as to check the position when installing.



2. Remove screws, and then remove 5th bow side finisher (RH/LH).



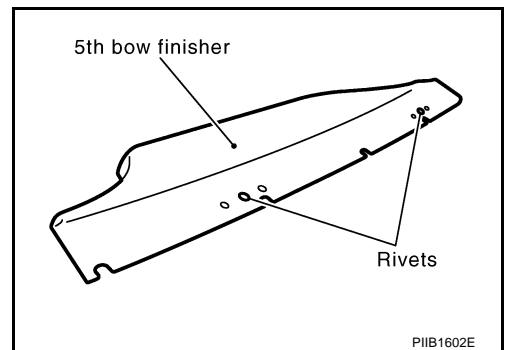
3. Remove clips, and then remove 5th bow finisher.



4. Remove rivets head of 5th bow finisher retainer.

CAUTION:

Do not attempt to remove rivets completely.

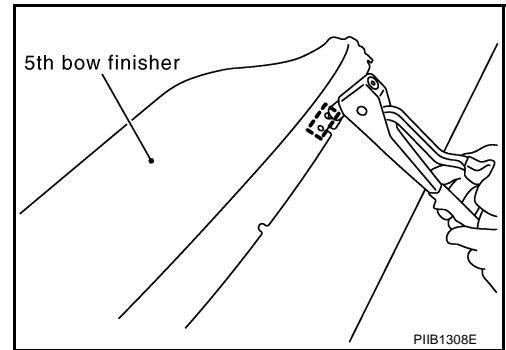


A
B
C
D
E
F
G
H
RF
J
K
L
M

SOFT TOP

5. Replace retainers under 5th bow finisher with a new part.

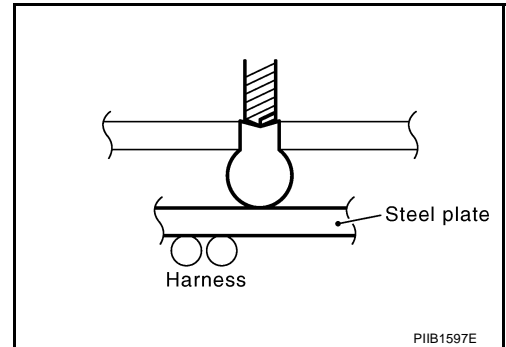
- Put new retainers under 5th bow finisher with rivet.
- Apply nonwoven fabric to retainer lower edge.



6. Remove remains of soft top cover mounting rivet from 5th bow and C link.

NOTE:

- Put a steel plate between a rivet and harnesses on 5th bow for harness protection, when removing the remaining rivets by drill.

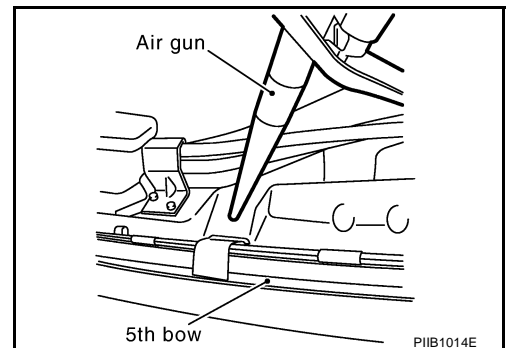


CAUTION:

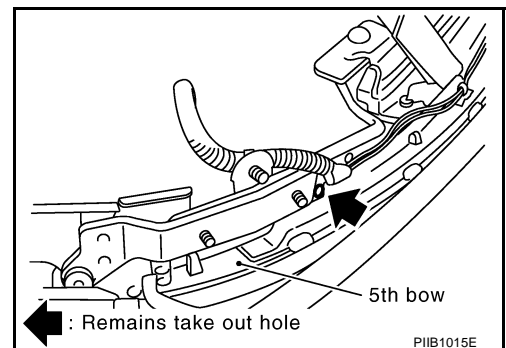
Take out the remains of rivets completely from 5th bow, other wise the remains cause noise.

NOTE:

- Blow remains of rivet toward both ends of 5th bow with compressed air if they are in 5th bow.

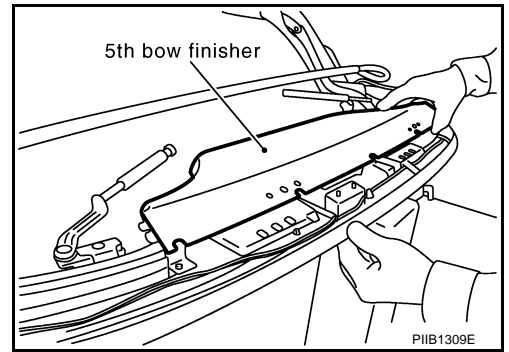


- Remove the remains drawn to both ends by the air blow from the gap.

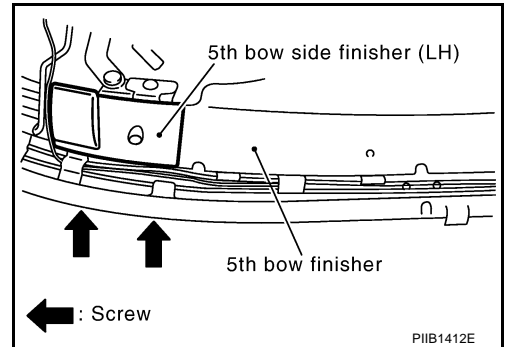


SOFT TOP

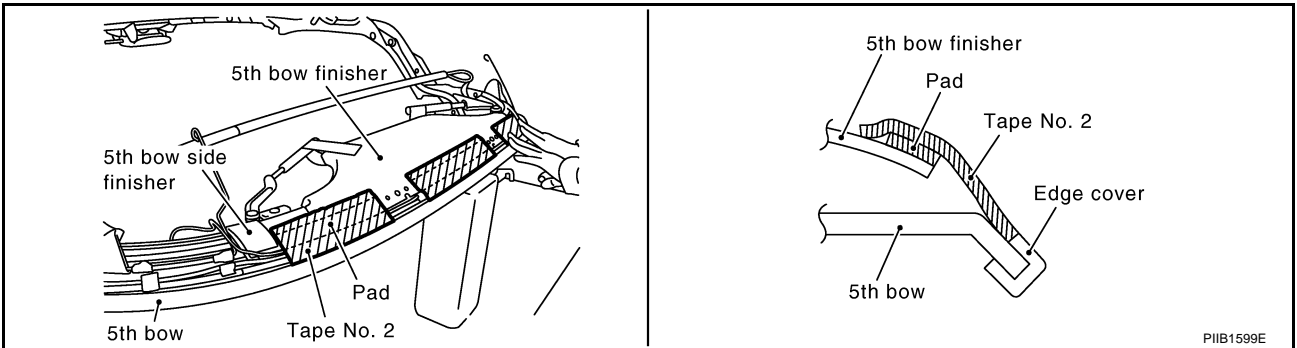
7. Install 5th bow finisher to 5th bow.



8. Install 5th bow side finisher (RH/LH) to 5th bow.



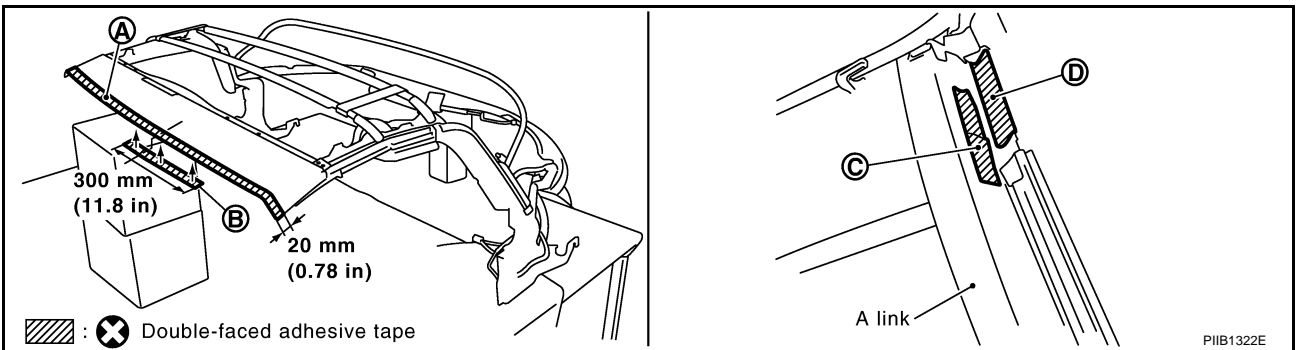
9. Install new pads and fabric tapes.



10. Secure 5th bow finisher harness with new nonwoven fabric if necessary.

Installation

1. Apply double faced adhesive tape for frame.



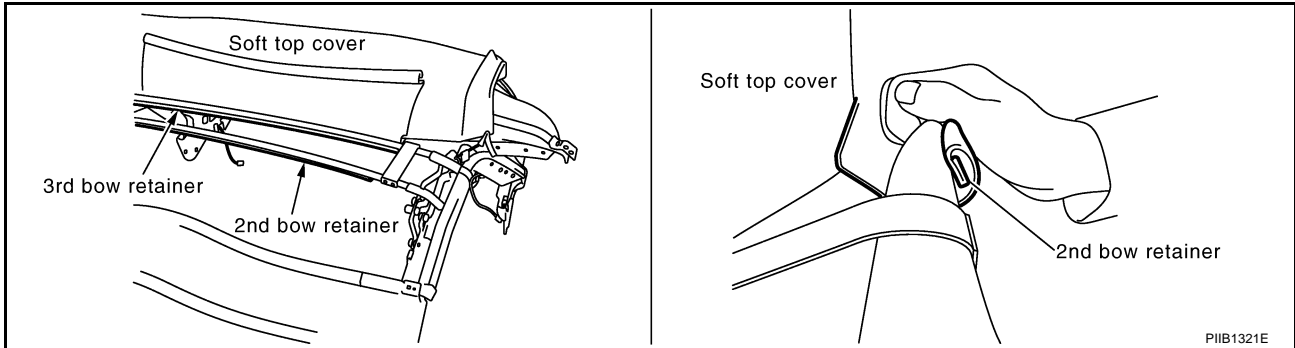
- A: Upper side of 1st bow
- B: Under side of 1st bow
- C: Outer side of A link (between grommets)
- D: Outer and under side of 1st bow edge

2. Put soft top cover on frame.

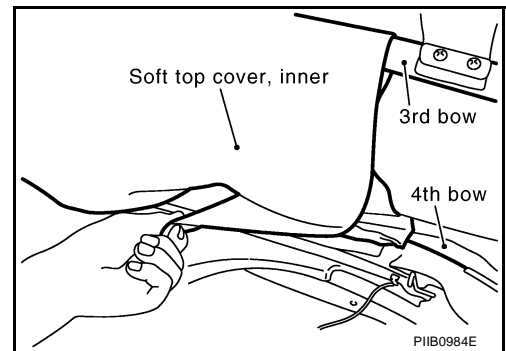
A
B
C
D
E
F
G
H
RF
J
K
L
M

SOFT TOP

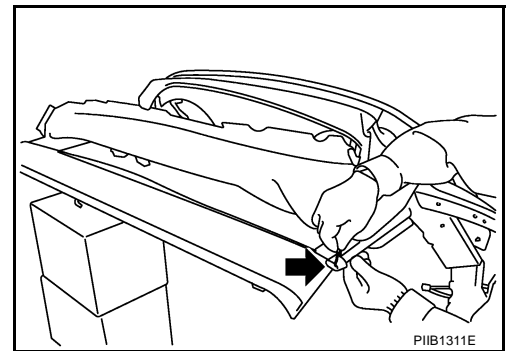
3. Put glass stays and defogger harnesses into sleeves on both side of rear window.
 - Out side bag is for glass stay.
 - Inside bag is for harness.
4. Hook soft top cover inner fabric edge to 3rd bow retainer and press retainer to hold securely.



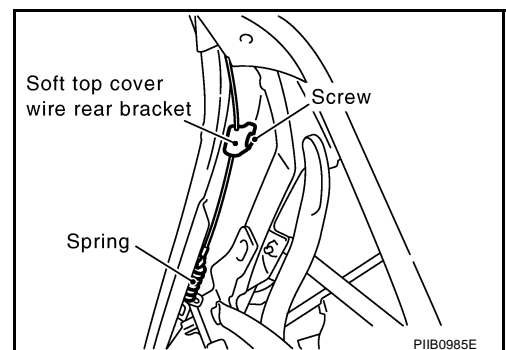
5. Hook soft top cover inner fabric edge to 2nd bow retainer and press retainer to hold securely.
6. Wrap soft top cover around 4th bow and fix soft top cover by velcro fastener.



7. Insert soft top cover wire to A link.



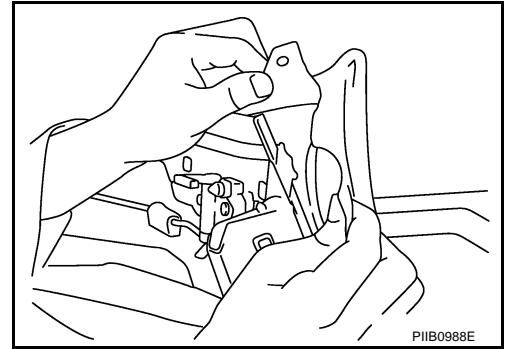
8. Tighten soft top cover wire rear bracket to C link with screw.
(Face tension wire outside.)



9. Hook soft top cover wire spring on C link and bend the hook of wire spring to prevent unhooking the hook.

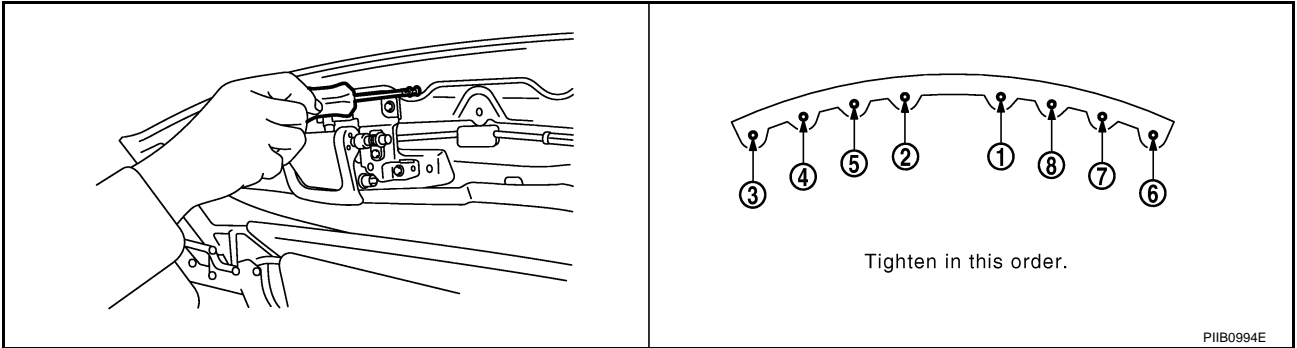
SOFT TOP

10. Put soft top cover on 1st bow.



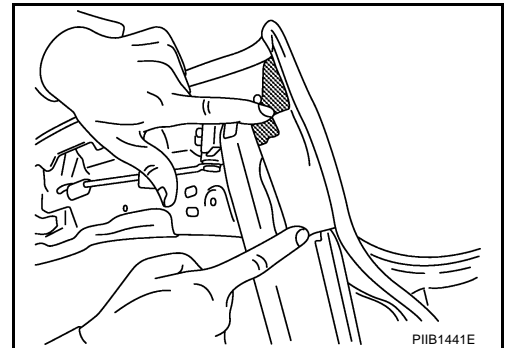
11. Align soft top cover hole and grommet hole at the 1st bow.

12. Tighten screws on 1st bow with front center retainer.



13. Apply EPT seal to A link installation position.

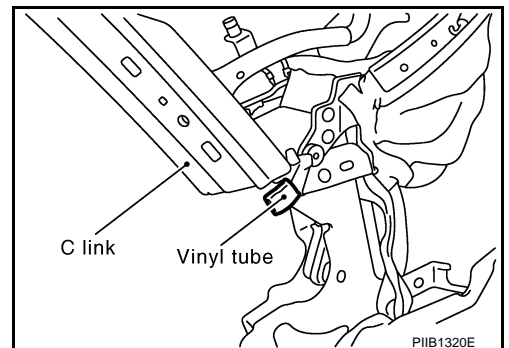
CAUTION:
Install EPT seal to the original position.



14. Put soft top cover on C link lower.

NOTE:

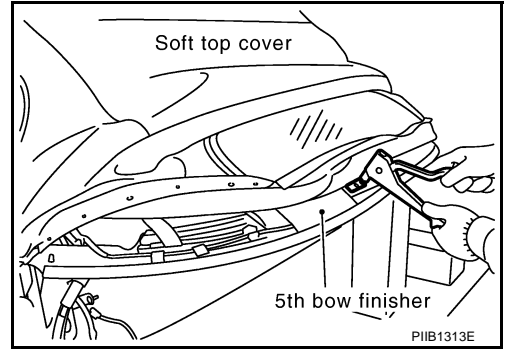
- Make sure that vinyl tube is on C link bottom end bracket.
- Be careful not to pull soft top cover with too much tension.



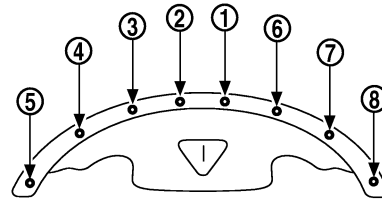
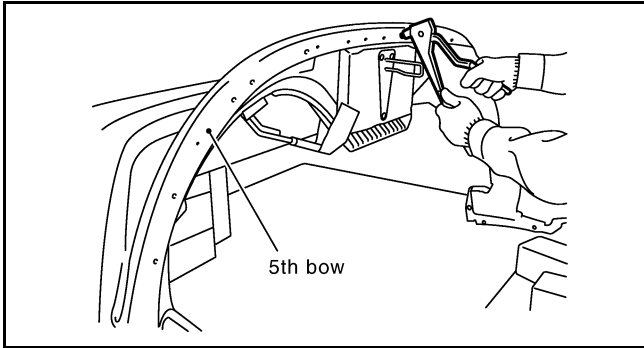
A
B
C
D
E
F
G
H
RF
J
K
L
M

SOFT TOP

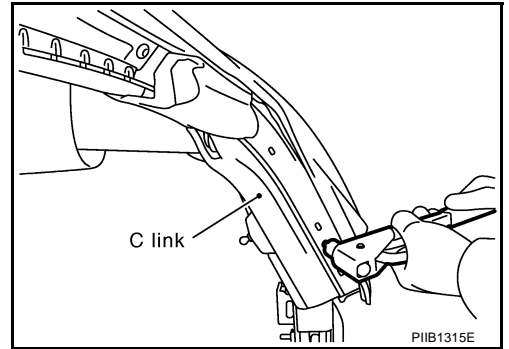
15. Open 5th bow then secure soft top cover to 5th bow finisher upper surface with rivet.



16. Close 5th bow then wrap soft top cover around 5th bow.
17. Secure soft top cover to 5th bow with rivet.



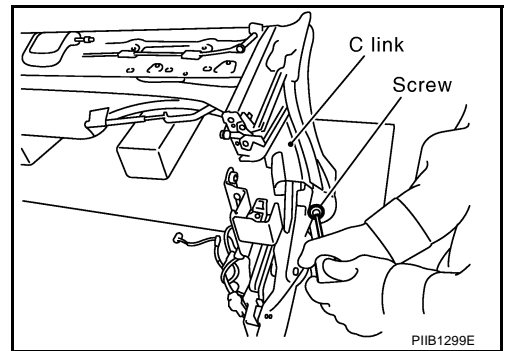
18. Secure soft top cover to C link with rivet.



19. Align screw hole on soft top cover and the bottom of C link, and then tighten with screw.

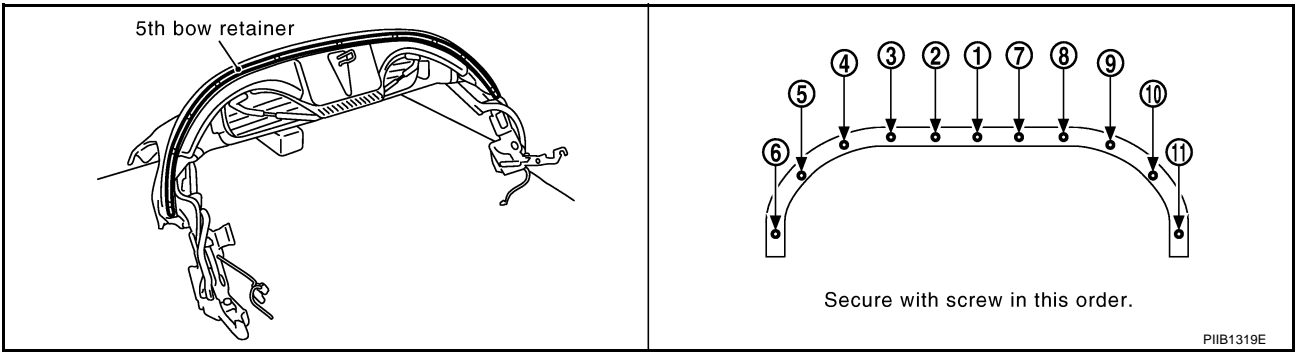
NOTE:

- During tighten up the screw, insert a thin metal rod such as a nail [diameter: 4mm (0.16in)] to a clip hole near the screw to align holes of soft top cloth and its backing plastic plate, and C link frame.
- Tighten screw while holding soft top at certain angle for easy screw installation.



SOFT TOP

20. Close 5th bow then install 5th bow retainer with screws.



CAUTION:

Apply it to the original position.

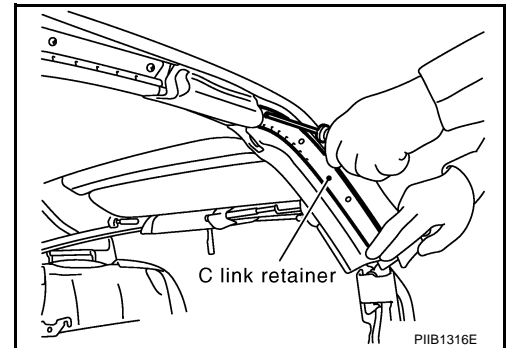
NOTE:

During tighten up the screw, insert a thin metal rod such as a nail [diameter: 4mm (0.16in)] to a clip hole near the each end of 5th bow retainer to align holes of the retainer, soft top cloth and its backing plastic plate, and 5th bow.

21. Install C link retainer with screws.

NOTE:

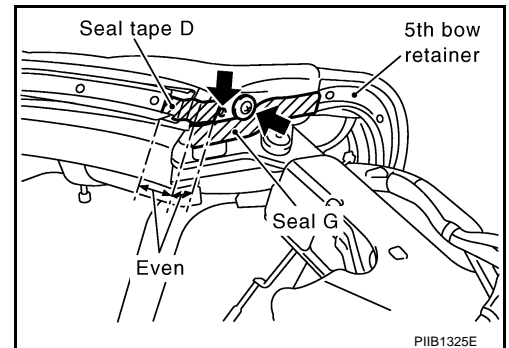
Align matching marks on the retainer to screw heads, when installing the retainer.



22. Apply seal to C link lower installation position.

CAUTION:

Make sure not to cover clip hole and screw head.

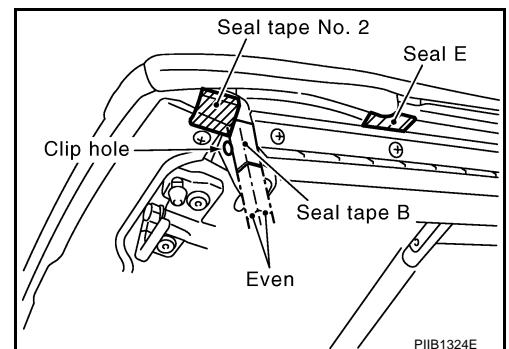


23. Install A link retainer with screws.

NOTE:

Align matching marks on the retainer to screw heads, when installing the retainer.

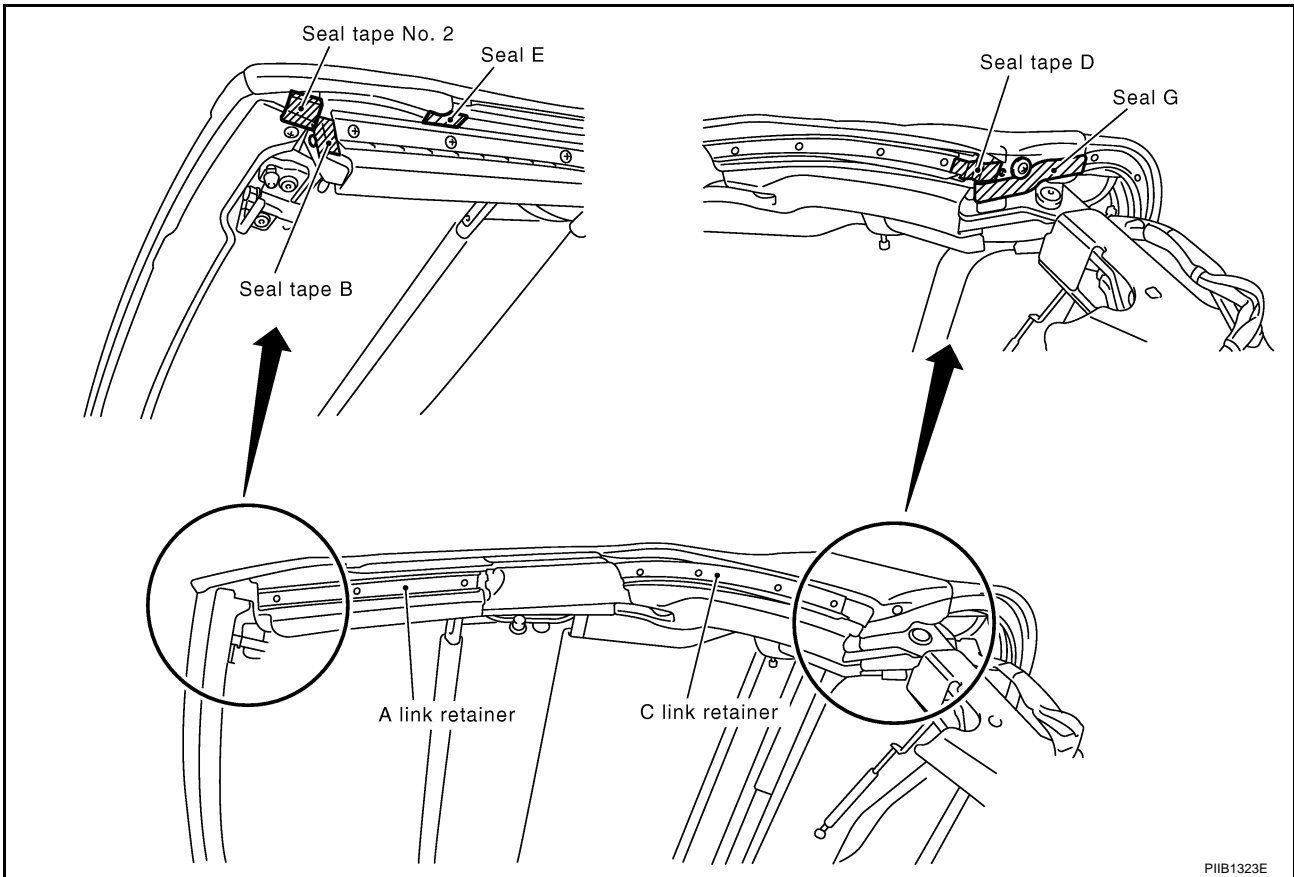
24. Apply seal E to A link installation position.



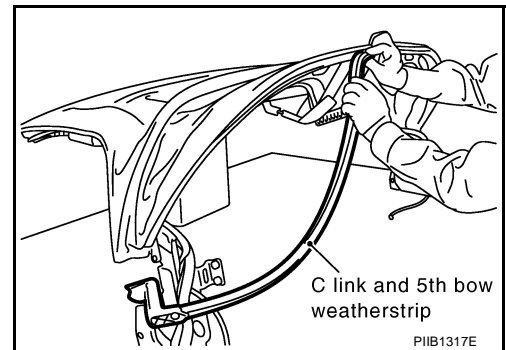
A
B
C
D
E
F
G
H
RF
J
K
L
M

SOFT TOP

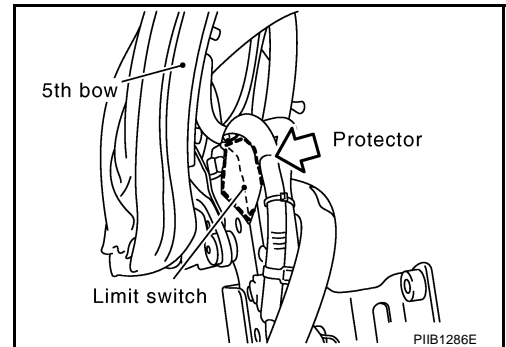
25. Recheck seals for A link and C link.



26. Install C link and 5th bow weatherstrip to 5th bow and C link.

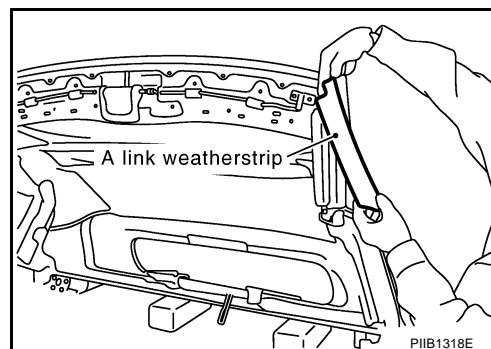


27. Remove protection tape on the limit switch.



SOFT TOP

28. Install A link weatherstrip.



29. Install front lock finisher and welt after closing soft top.

30. Connect defogger harnesses at rear window.

31. Install 5th bow operating strut rods (RH/LH).

32. Install roof actuator (RH/LH). Refer to [RF-107, "Removal and Installation of Roof Actuator"](#) .

33. Install soft top assembly to vehicle. Refer to [RF-87, "Removal and Installation of Soft Top Assembly"](#) .

34. Check soft top open/close operation.

35. Check door glass contact. Refer to [GW-54, "FITTING INSPECTION"](#) .

36. Check for water leakage. Refer to [RF-115, "Repairing Method for Water Leakage Around Doors"](#) .

NOTE:

If there are wrinkles on the soft top cover, use a hair dryer to warm up the wrinkled area. Apply warm air from the hair dryer keeping the distance by 150 - 200 mm (5.9 - 7.8 in) and move the dryer to gently warm up soft top cover, for about 5 - 10 minutes until the wrinkle seems to be gone. Not to heat up soft top cover to much.

A
B
C
D
E
F
G
H
RF
J
K
L
M

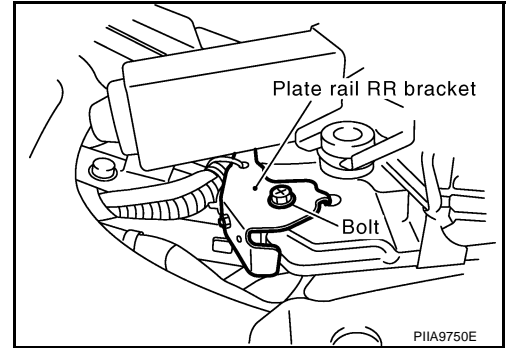
SOFT TOP

AIS0060L

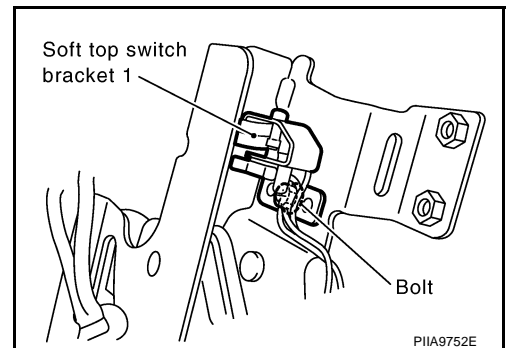
Removal and Installation of Switches

REMOVAL

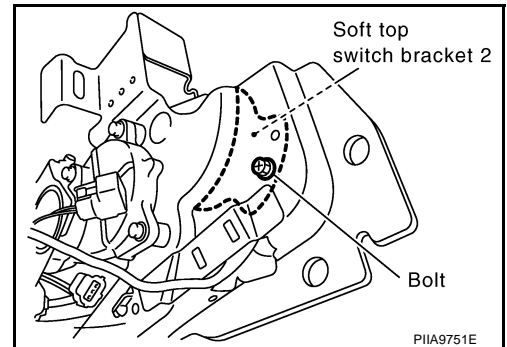
1. Uninstall soft top assembly from the vehicle. Remove roof actuator (RH/LH) from the soft top.
2. Remove harness tie wrap band at the left side of the soft top.
3. Remove limit switches with plate rail RR bracket by removing bolt.



4. Remove limit switches with soft top switch bracket 1 by removing bolt.



5. Remove limit switches with soft top switch bracket 2 by removing bolt.



INSTALLATION

Install in the reverse order of removal.

NOTE:

Wire harnesses correctly to avoid following situation.

- Pinching harnesses by frame
- Tangling harnesses by frame and links
- Pulling harnesses between fixing point by harness clips.

SOFT TOP

Removal and Installation of Roof Actuator

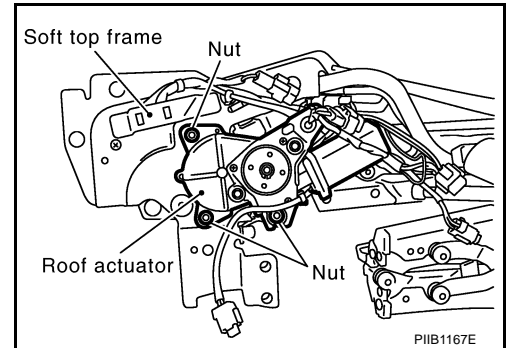
AIS0060M

REMOVAL

1. Remove soft top assembly. Refer to [RF-87, "Removal and Installation of Soft Top Assembly"](#) .
2. Remove nuts and then remove roof actuator (RH/LH).

NOTE:

If removal is difficult, rotate motor axis to remove them.



3. Disconnect soft top actuator harness connector.

INSTALLATION

Install in the reverse order of removal.

Removal and Installation of 5th Bow Drive Unit

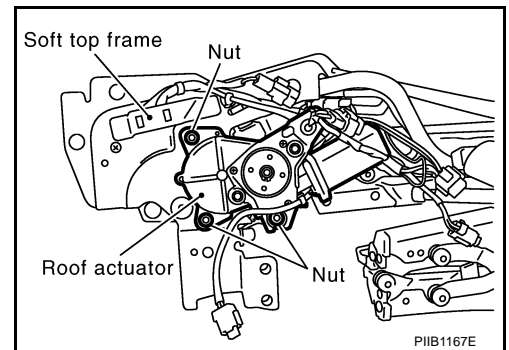
AIS0060N

REMOVAL

1. Uninstall soft top assembly from the vehicle.
2. Remove roof actuator (RH/LH) from the soft top.

NOTE:

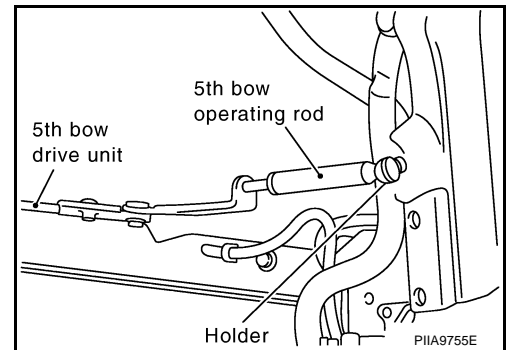
If removal is difficult, rotate motor axis to remove them.



3. Disconnect 5th bow operating rod (RH/LH) at the frame side by pulling out the holder.

NOTE:

This step will make the 5th bow up and down motion easier.



4. Make sure that the limit switch contact around the rotation axis of the 5th bow on the left side of soft top is protected with tape.
5. Open the soft top manually, and put a stand under the 1st bow. Then fix the soft top not to move during this procedure.

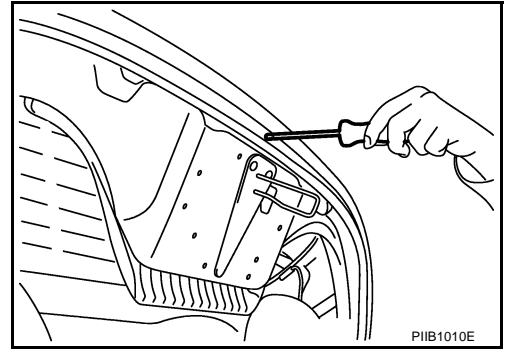
NOTE:

Put a waste cloth between the front lock and the stand not to make any scratches to the soft top.

6. Remove the C link and 5th bow weatherstrip.

SOFT TOP

7. Remove the soft top cover retainer (5th bow retainer) from 5th bow by taking out screws.



8. Drilling rivets attaching the soft top cover to 5th bow, then pull up the soft top cover bottom edge.

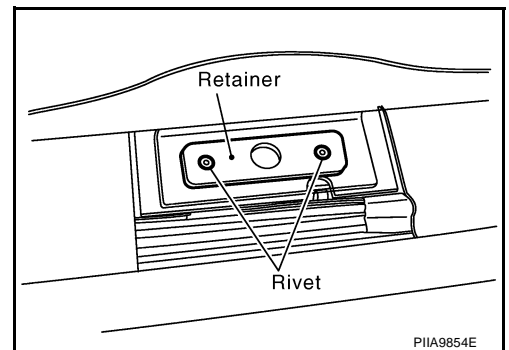
NOTE:

Use 4 mm (0.16 in) diameter drill bit to remove the rivet head. When drilling rivets, be careful not to damage the soft top cover.

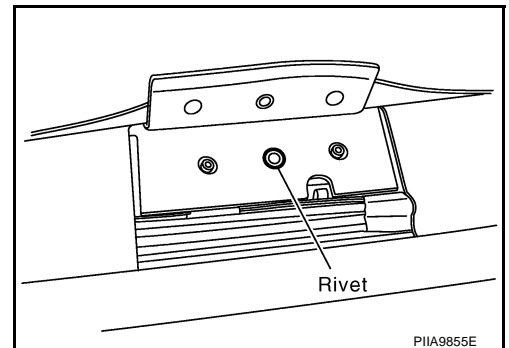
9. Drilling rivets with retainers attaching with tags from the soft top cover, 5th bow finisher and the 5th bow.

NOTE:

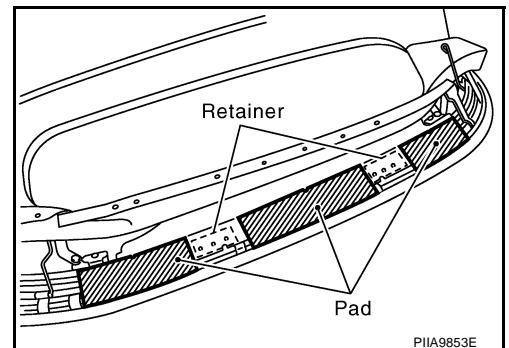
Use 4 mm (0.16 in) diameter drill bit to remove the rivet head. The soft top cover is separated from 5th bow.



10. Drilling rivets under retainers by using 4 mm (0.16 in) diameter drill bit.

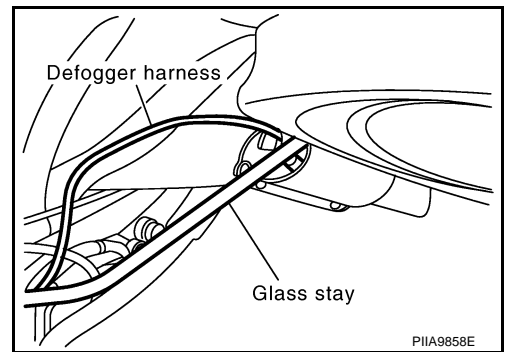


11. Remove pads from 5th bow finisher.

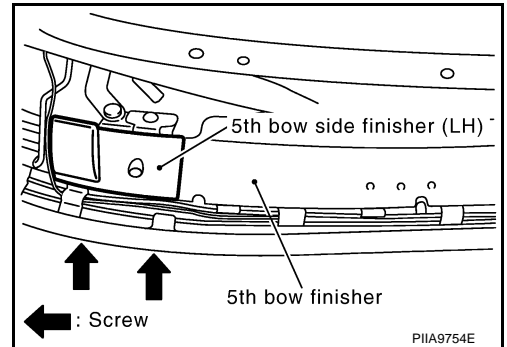


SOFT TOP

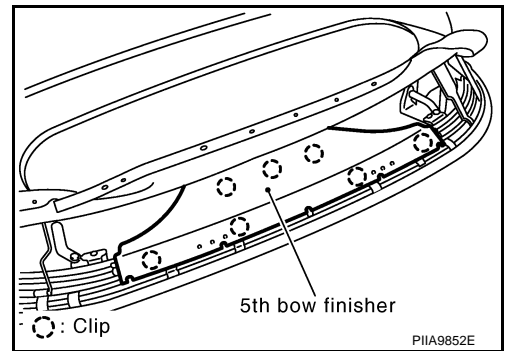
12. Roll the soft top cover bottom edge up, and disconnect defogger harness connector from the rear window glass.
13. Pull out glass stays from sleeves on each side of the rear window glass.



14. Remove 5th bow side finisher (RH/LH) by removing screws.



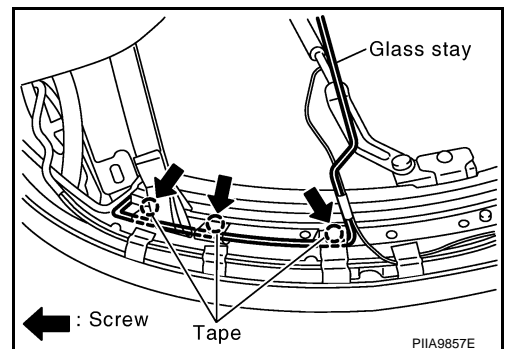
15. Remove 5th bow finisher by pulling the finisher up.



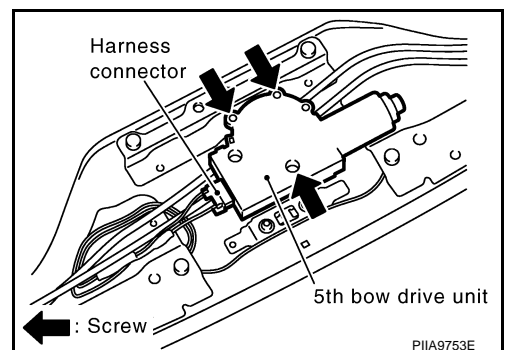
16. Remove glass stays from 5th bow by removing screws from the bottom of the 5th bow.

NOTE:

- When removing glass stays, support 5th bow to avoid a bend of glass stay. This bend may happen by the weight of the 5th bow and the tensile force of the tether from the soft top cover.
- Be careful not to damage the 5th bow nor to be hurt by the falling 5th bow, because the 5th bow is heavy and moves freely after removing glass stays.



17. Disconnect 5th bow drive unit harness connector.



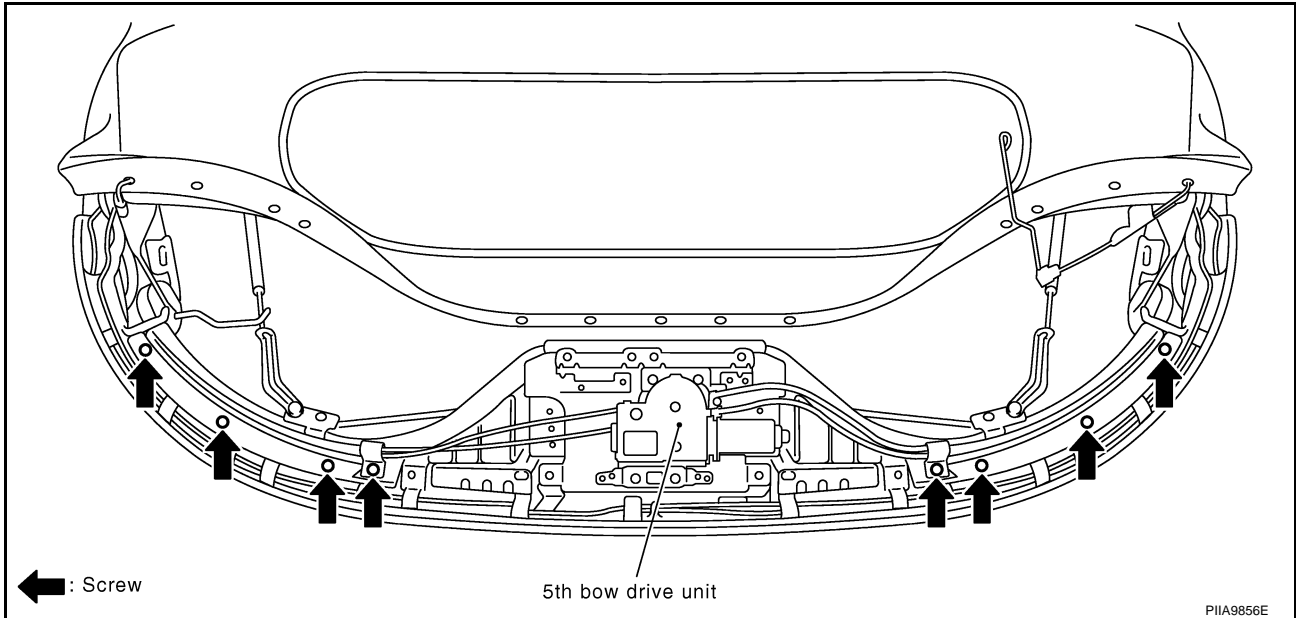
A
B
C
D
E
F
G
H
RF
J
K
L
M

SOFT TOP

18. Remove 5th bow drive unit and rails together from 5th bow by removing screws.

NOTE:

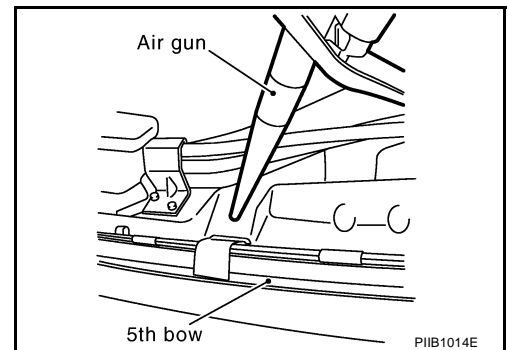
- After removing drive unit and rails, not to pull rails. Otherwise, the wire in the rail may be damaged.
- The screws are not reusable.



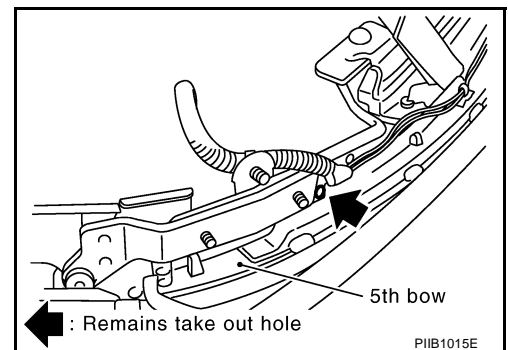
INSTALLATION

Preparation Work

1. Blow remains of rivet toward both ends of 5th bow with compressed air if they are entering into 5th bow.

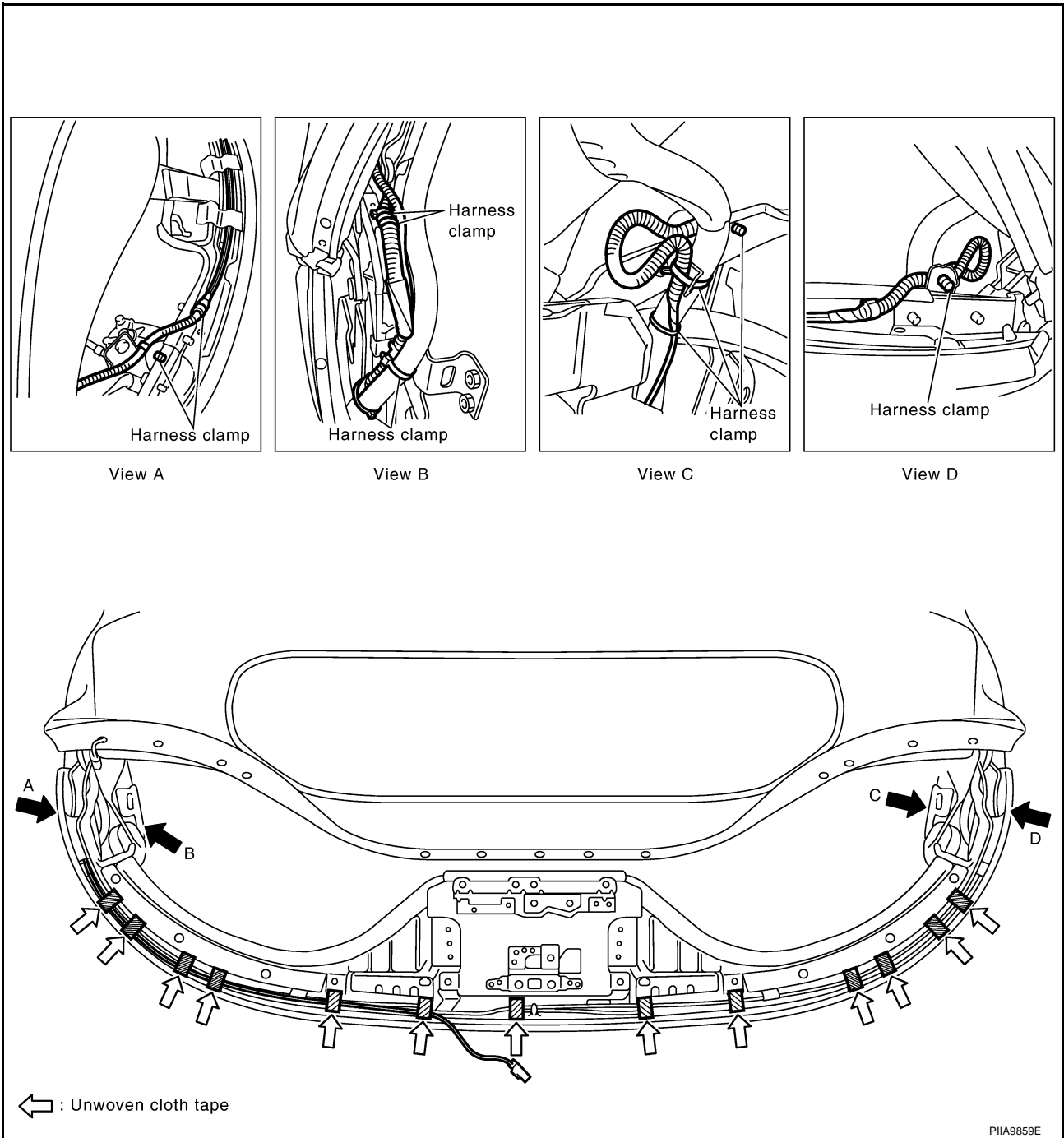


2. Remove the remains drawn to both ends by the air blow from the gap.



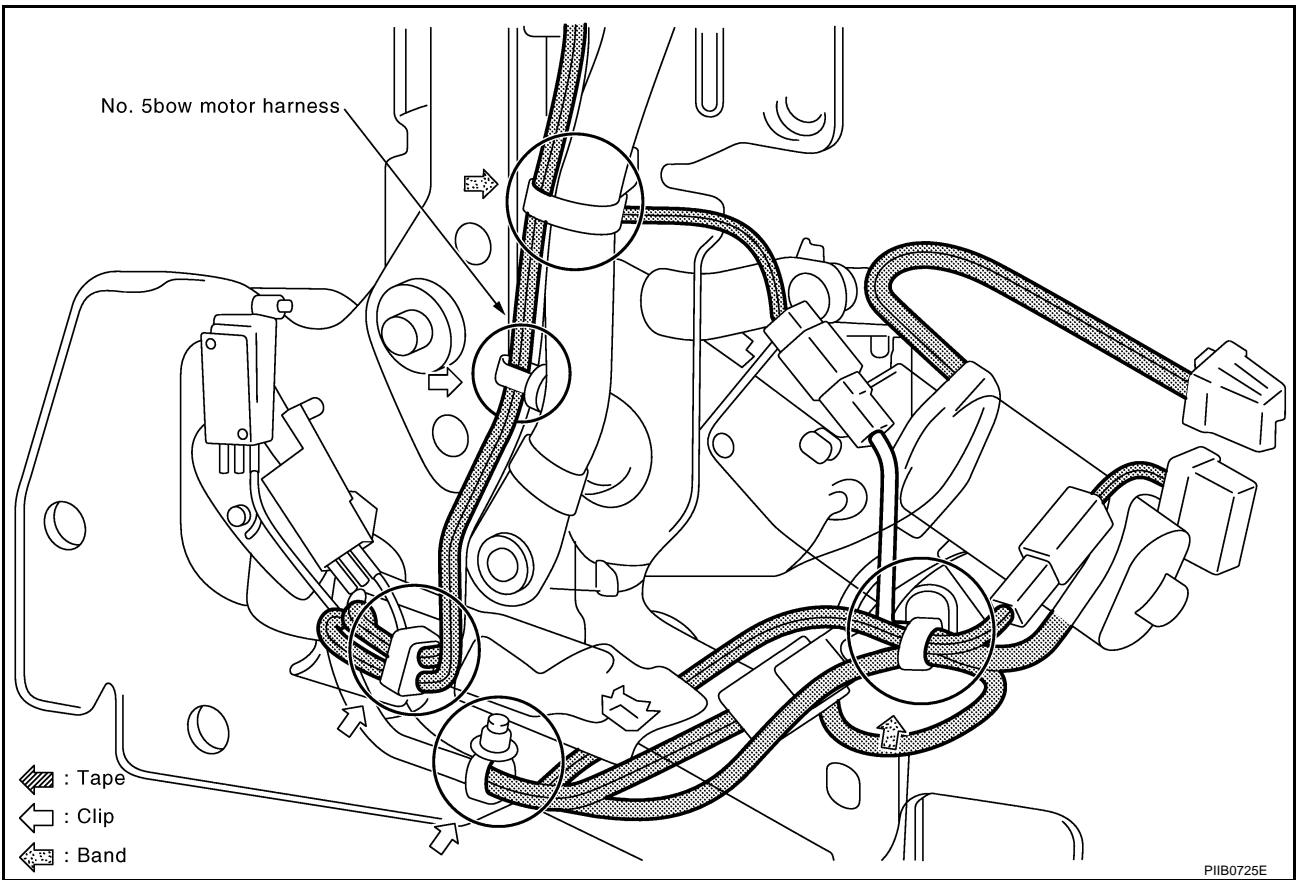
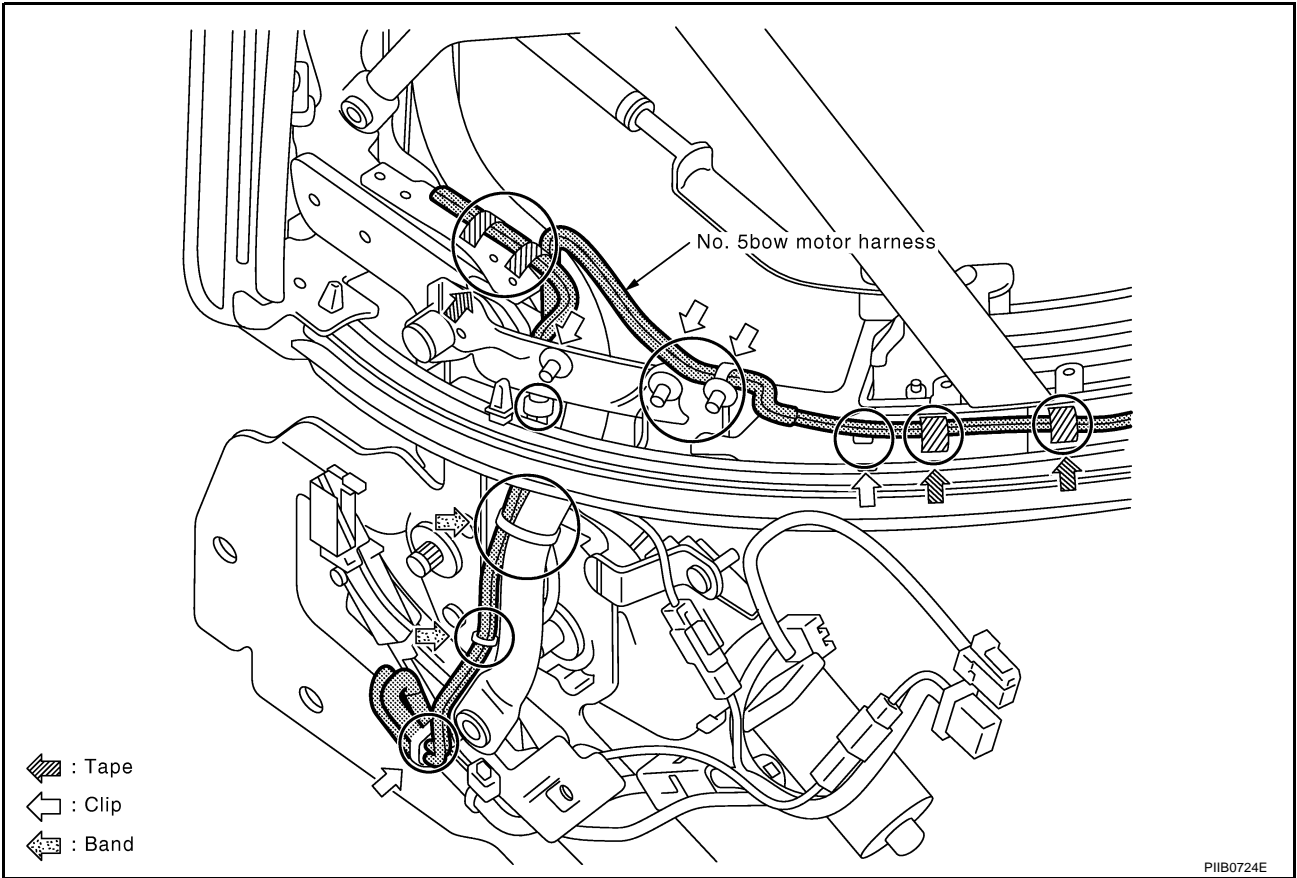
SOFT TOP

3. For fixing harness to 5th bow and Soft top frame, see next figure.

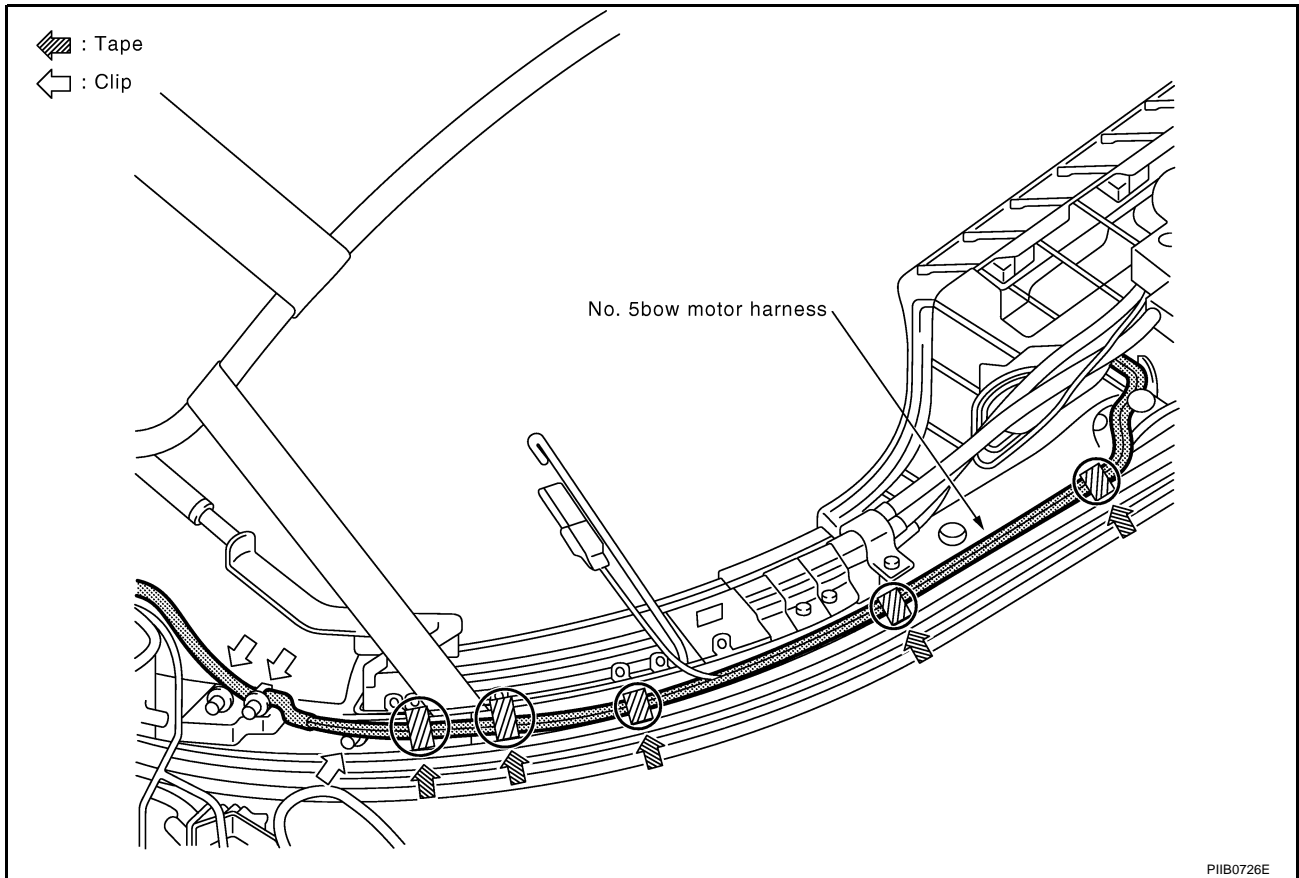


A
B
C
D
E
F
G
H
RF
J
K
L
M

SOFT TOP



SOFT TOP



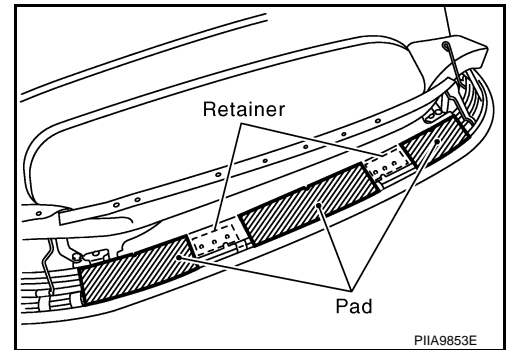
A
B
C
D
E
F
G
H

4. Replace rivet retainer on back of 5th bow finisher with a new one.
5. Secure 5th bow finisher with rivet, and then apply nonwoven fabric.
6. Install 5th bow finisher and 5th bow finisher (RH/LH).
7. Apply pad on 5th bow finisher.

NOTE:

Apply pad to the original position.

RF



J
K
L
M

Installation

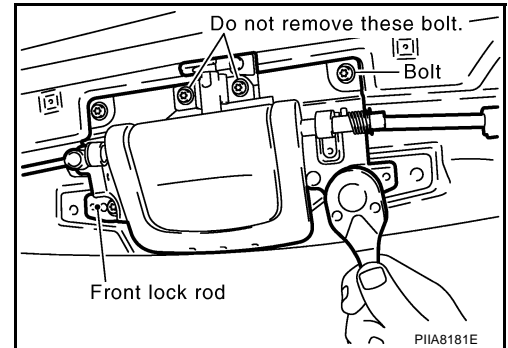
Install in the reverse order of removal.

Removal and Installation of Front Lock REMOVAL

1. Remove welt and front finisher.
2. Remove bolts, and then remove front lock rod.

CAUTION:

Do not remove front lock hook, center bolts.



3. Remove bolts, and then remove front lock striker, LH, center, and RH.

NOTE:

Paint matching marks for front lock assembly to check location for installation.

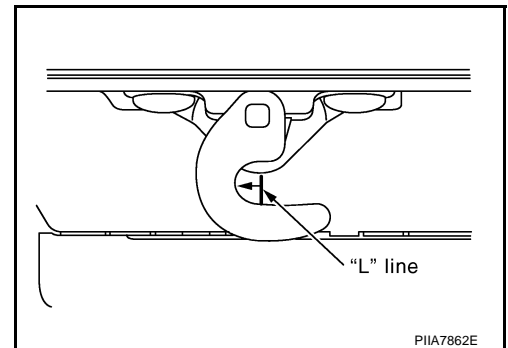
INSTALLATION

Install in the reverse order of removal.

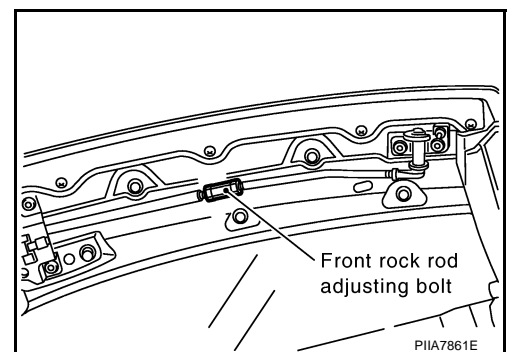
- Always adjust before installation. Refer to [RF-114, "INSPECTION AND ADJUSTMENT"](#).

INSPECTION AND ADJUSTMENT

1. Apply super-check spray on a contact surface of 3 hooks which may touch with rods on the body. Fully close soft top, and then engage front lock.
2. Open soft top, and then make sure that the part, from which iron material is visible by peeling off super-check mark, exceeds "L" line.



3. Adjust hook contact length by adjusting front lock rod length using front lock rod adjust bolt if "L" line is not exceeded in front lock hook, RH and LH.



4. There is a part malfunction, if "L" line is not exceeded in front lock center hook. Replace front lock assembly.
5. Make sure that the super check mark exceeds the "L" line, and then measure the fully closed operating force while contacting push-pull gauge to the handle. Make sure that the operating force is 68.6 N (7 kg, 15.4 lb) or less, and then install it.

NOTE:

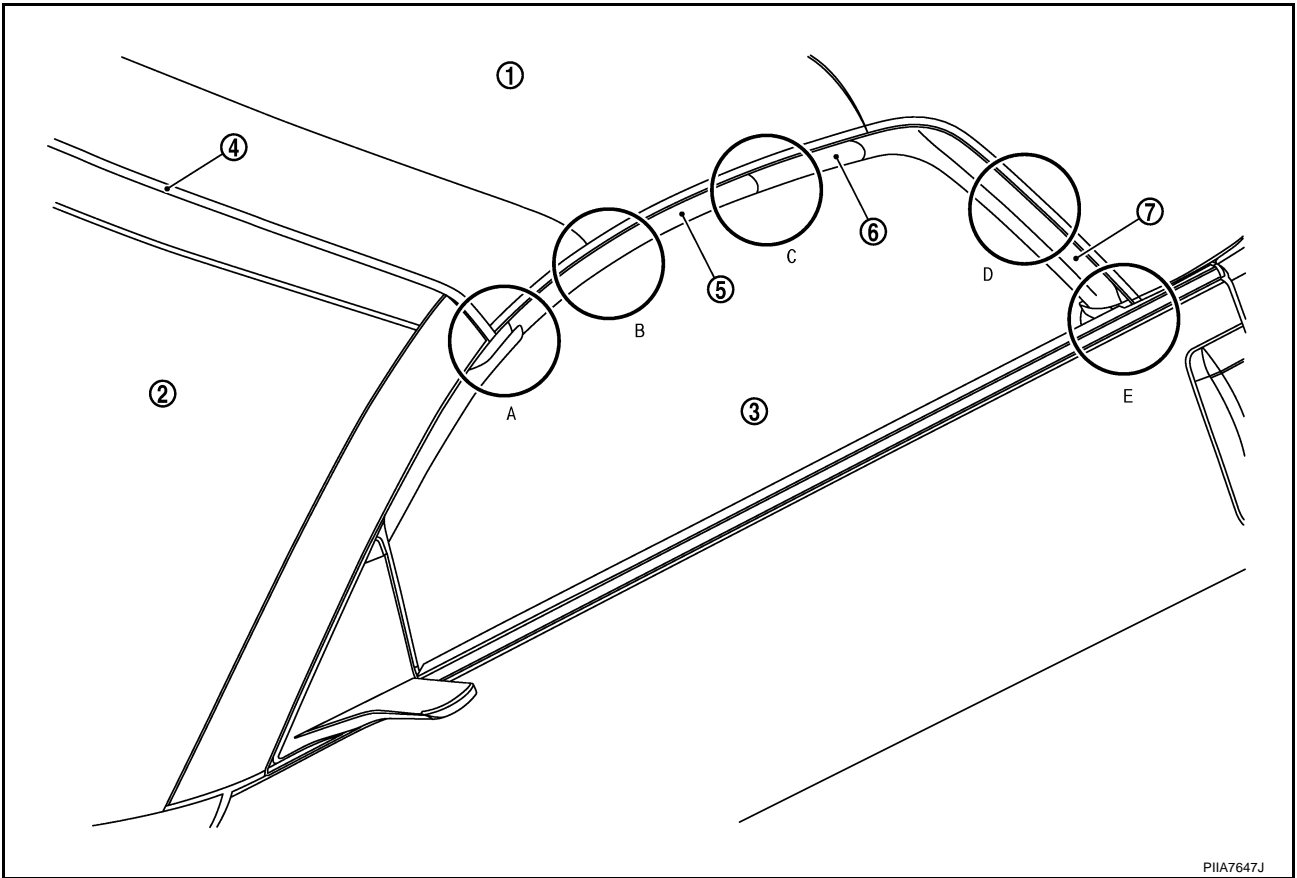
- Replace front lock assembly if the operating force is over the specified value.

SOFT TOP

- Make sure that operating force when replacing front weatherstrip, center weatherstrip, and rear weatherstrip is 107.8 N (11 kg, 24.2 lb) or less.

Repairing Method for Water Leakage Around Doors

AIS0060P



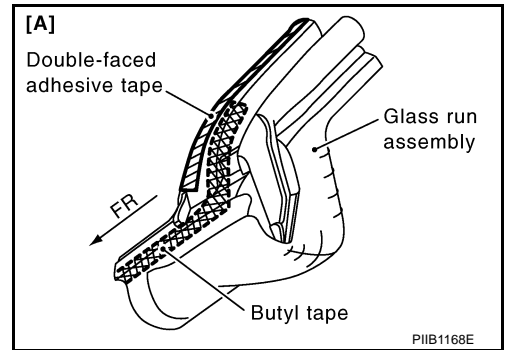
- | | | |
|------------------------------------|------------------------|------------------------|
| 1. Soft top assembly | 2. Windshield glass | 3. Door glass |
| 4. Glass run assembly | 5. A link weatherstrip | 6. B link weatherstrip |
| 7. C link and 5th bow weatherstrip | | |

WATER LEAKAGE FROM A

Water may be entering passenger room through back of front pillar.
Cause: Butyl tape on back of glass run assembly may be separating from roof panel.

Repair Procedure 1

Apply butyl tape on back of glass run assembly again, and correct installing position.



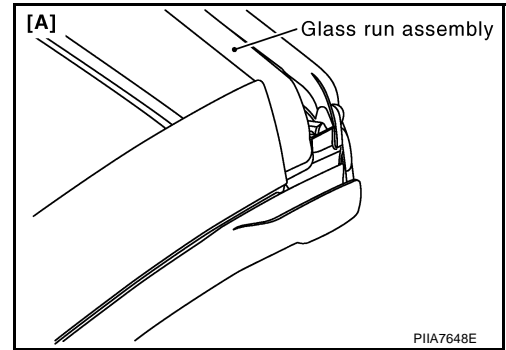
Water may be entering through connection between front pillar and front edge of soft top.
Cause: There may be a gap between glass run assembly and weatherstrip of soft top.

A
B
C
D
E
F
G
H
RF
J
K
L
M

SOFT TOP

Repair Procedure 2

Replace glass run assembly with a new one to eliminate the gap between glass run assembly and weatherstrip.



WATER LEAKAGE FROM B

Water may be entering through door glass upper inside edge.

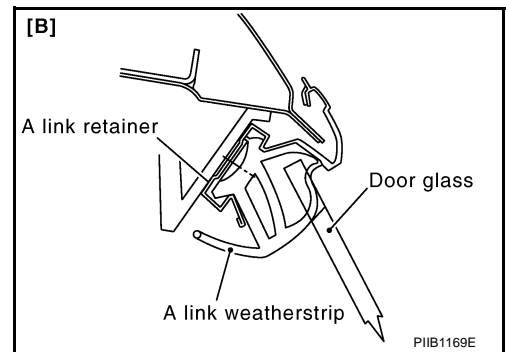
Cause: There may be poor contact between A link weatherstrip of soft top and door glass.

Repair Procedure 3

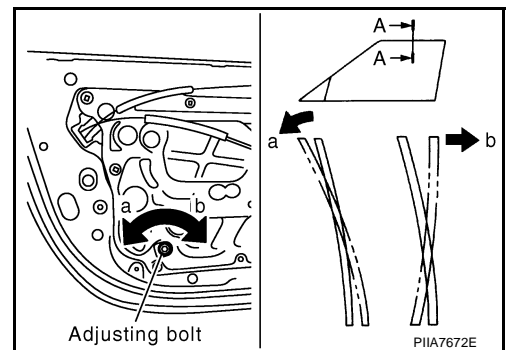
- Adjust door glass position frontward/backward or upward/downward against soft top assembly.
- Adjust door glass tilt contact by rotating adjusting bolt on regulator lower edge.

CAUTION:

Soft top assembly position may be incorrect when glass upper position is low even if door glass adjustment is performed. Perform soft top assembly adjustment, if necessary. Refer to [GW-52. "FRONT DOOR GLASS AND REGULATOR"](#).



Adjust door glass tilt contact by rotating adjusting bolt on regulator lower edge.



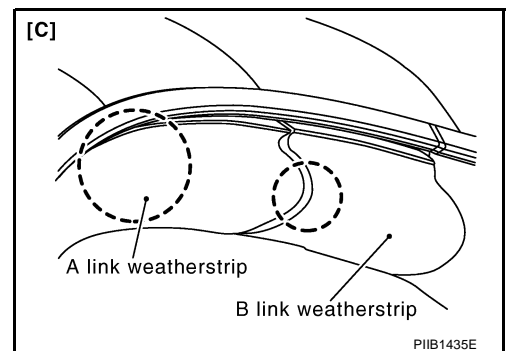
WATER LEAKAGE FROM C

Water may be entering through a joint between soft top weatherstrips.

Cause: There may be a step or a gap at the weatherstrips joint.

Repair Procedure 4

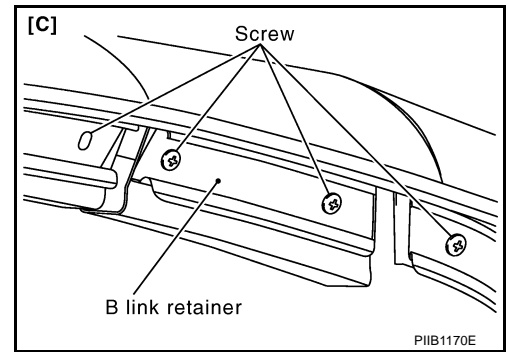
- Replace weatherstrip with a new one.
- If the step or the gap is not eliminated after replacing weatherstrip, then perform the following procedure.



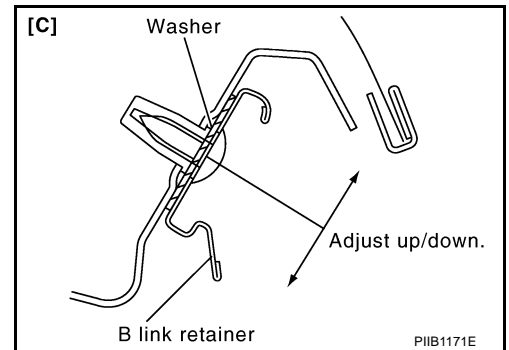
SOFT TOP

Repair Procedure 5

- Loosen retainer screws.
- Make fine upward/downward position adjustments to the B link retainer.
(Move the B link retainer of a protruded weatherstrip downward for the adjustment.)



- Insert approximately 0.5 mm (0.02 in) washer into the back of the subsiding weatherstrip retainer, if the step is not eliminated after adjustment.



WATER LEAKAGE FROM D

Water may be entering through inside door glass rear.

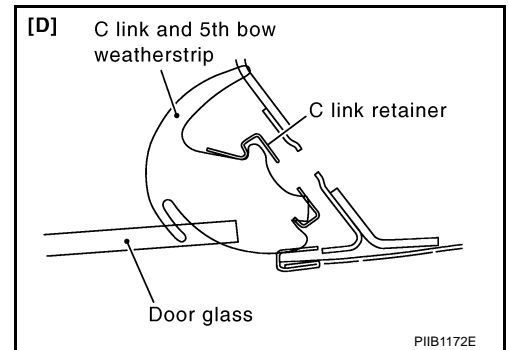
Cause: There may be poor contact between Clink and 5th bow weatherstrip of soft top and door glass.

Repair Procedure 6

- Adjust door glass position frontward/backward or upward/downward against soft top.
- Adjust door glass tilt contact by rotating adjusting bolt on regulator lower edge.

CAUTION:

Soft top assembly position may be incorrect in the case of glass upper position is low even if door glass adjustment is performed. Perform soft top assembly adjustment if necessary. Refer to [GW-52, "FRONT DOOR GLASS AND REGULATOR"](#).



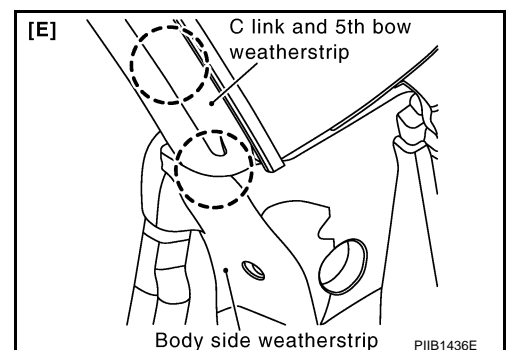
WATER LEAKAGE FROM E

Water may be entering passenger room through weatherstrip joint.

Cause: There may be a step or a gap between C link and 5th bow weatherstrip side and body side of weatherstrip.

Repair Procedure 7

- Remove C link weatherstrip.
- Remove C link retainer.



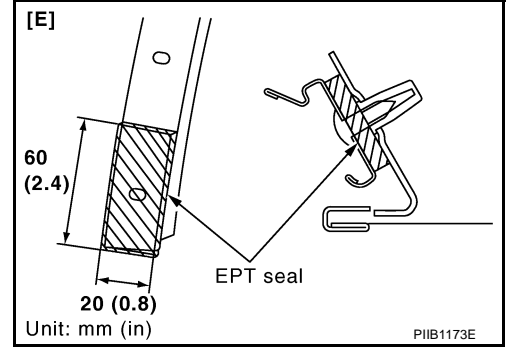
A
B
C
D
E
F
G
H

RF

J
K
L
M

SOFT TOP

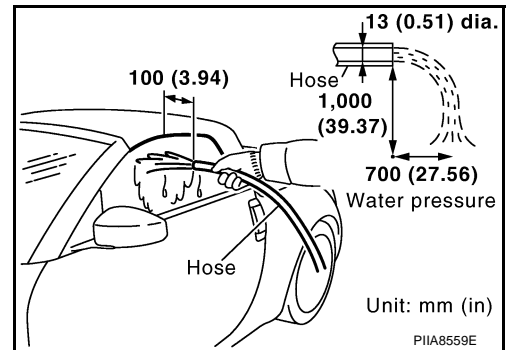
- Apply approximately 5 mm (0.2 in) thick EPT seal to retainer back surface.



WATER LEAKAGE TEST

Visually check for water leakage after repairing.

1. 2 workers are required. One worker checks inside the vehicle, and the other one washes with water.
2. Use 13 mm (0.51 in) diameter hose. Adjust water pressure by following method. Hold the hose horizontally, and release water at 1000 mm (39.37 in) height from ground. Adjust the distance, between the ground point just below the hose and the water dropping point, to reach 700 mm (27.56 in). (See the figure.)
3. Keeping the distance between the hose and the testing area by 100 mm (3.94 in), apply water along the area 3 times. During applying water, move the hose by 100 mm (3.94 in)/sec speed.



4. Visually check for water leakage.

SOFT TOP

Correspondence in Emergency

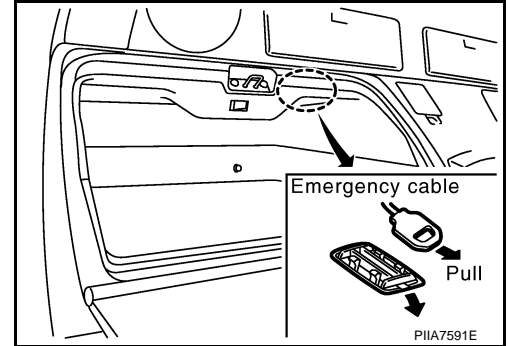
AIS0060Q

If the soft top cannot be operated electrically in the event of a discharged battery or any other system malfunction, the soft top needs to be closed manually or opened manually according to the following procedures.

MANUAL OPERATION (SOFT TOP FULLY OPEN ⇒ FULLY CLOSE)

1. Open The Trunk Lid

- Open the lid behind the passenger's seat (rear floor box).
- Remove cap of the emergency cable.
- Pull the emergency cable upper surface in the box.
- Open trunk lid.

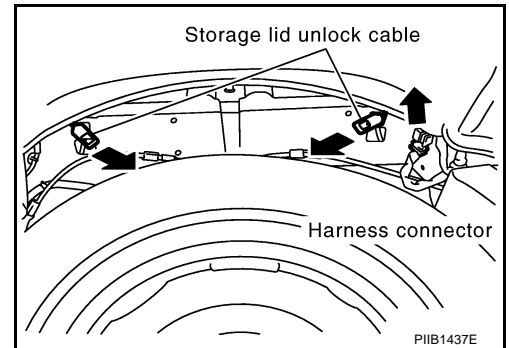


2. Open The Storage Lid

- Remove floorboard inside of the trunk.
- Disconnect the storage lid motor harness connector upperward, which is located at the right hand side of the trunk.
- Pull down the storage lid lock release cable (right and left sides in the trunk).
- Confirm a clicking sound of lock release.
- Pull up the storage lid from the right and left sides of vehicle (two people are required).

CAUTION:

The storage lid is extremely heavy. Pulling it up should be done by two people. Use Hex-wrench to rotate the axis of the gear, when the lid does not move.



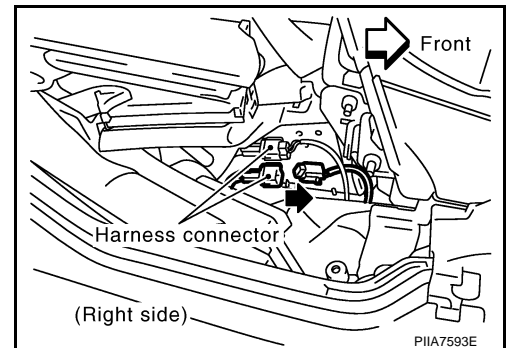
3. Close The Soft Top

- Disconnect roof actuator harness connector right and left sides.

CAUTION:

2nd disconnect top of roof actuator harness connector right and first disconnect top of roof actuator harness connectors left sides.

- Pull up the soft top right and left sides of the vehicle slowly by hand (two people are required).
- Lock soft top front lock.



4. Close The Storage Lid

- Push down soft top to body panel.

A
B
C
D
E
F
G
H
RF
J
K
L
M

SOFT TOP

5. Lower The Soft Top 5th Bow

- Remove both operating rod of soft top 5th bow.

CAUTION:

Remove a holder of operating rod end.

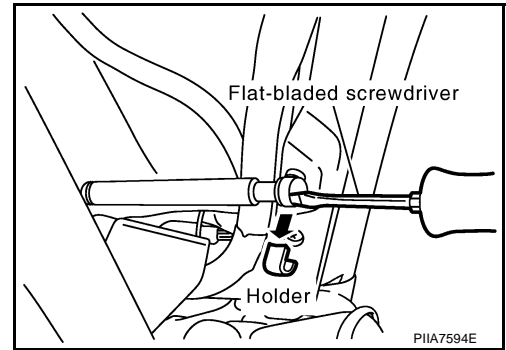
Simultaneously hold soft top 5th bow by hand when removing the holder.

- Push in 5th bow to storage lid (do half lock).

CAUTION:

After closing the soft top manually according to the above procedures, have the soft top operation system checked and/or repaired by a NISSAN dealer as soon as possible.

Avoid leaving the vehicle outside for long periods or driving at high speed. As the rear of the soft top is not locked completely, this may allow wind and rain get into the vehicle.



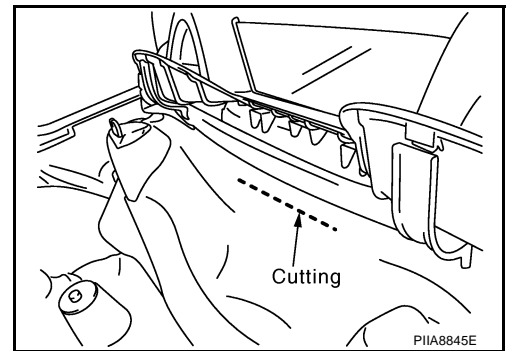
MANUAL OPERATION (SOFT TOP FULLY CLOSE ⇒ FULLY OPEN)

1. Remove The Luggage Floor Trim

- Remove the rear floor box and luggage floor finisher upper. Refer to [EI-41, "Removal and Installation \(for Roadster Models\)"](#).

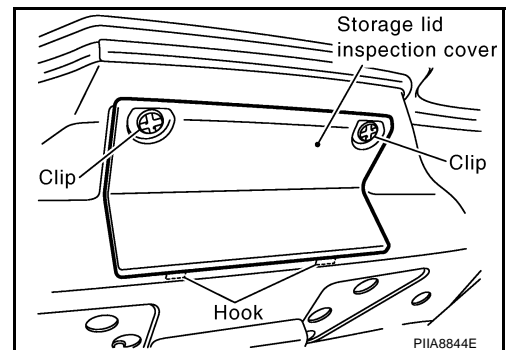
2. Cutting Storage Room Finisher

- Cut storage room finisher from seat side.

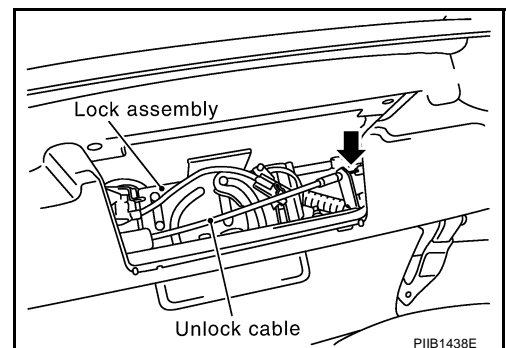


3. Unlock The Storage Lid

- Remove clip of inspection cover.



- Remove the storage lid inspection cover.
- Pull the unlock wire then unlock the soft top 5th bow.



SOFT TOP

4. Open The Soft Top 5th Bow

- Remove both shock absorber of soft top 5th bow.
- Open the soft top 5th bow (approximate 90 degrees)

5. Open The Trunk Lid

- Pull the emergency cable.
- Open the trunk lid.

6. Open The Storage Lid

- Remove floorboard inside of the trunk.
- Disconnect the storage lid motor harness connector downward which is in the right hand side of the trunk.
- Pull down the storage lid lock release cable (right and left side of the trunk).
- Confirm a clicking sound of lock release.
- Pull up the storage lid from the right and left sides of vehicle (two people are required).

CAUTION:

The storage lid is extremely heavy. Pulling it up should be done by two people. Use Hex-wrench to rotate the axis of the gear, when storage lid does not move.

- Disconnect roof actuator harness connector right and left side (disconnect top of roof actuator harness connector right and left side)

7. Open The Soft Top

- Lower the soft top 5th bow.
- Unlock the front lock.
- Open the soft top right and left side of the vehicle slowly by hand (two person job).

8. Close The Storage Lid

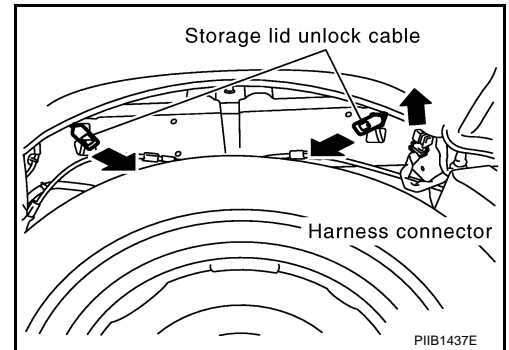
NOTE:

If necessary.

9. Close The Trunk Lid

NOTE:

If necessary.



A

B

C

D

E

F

G

H

RF

J

K

L

M

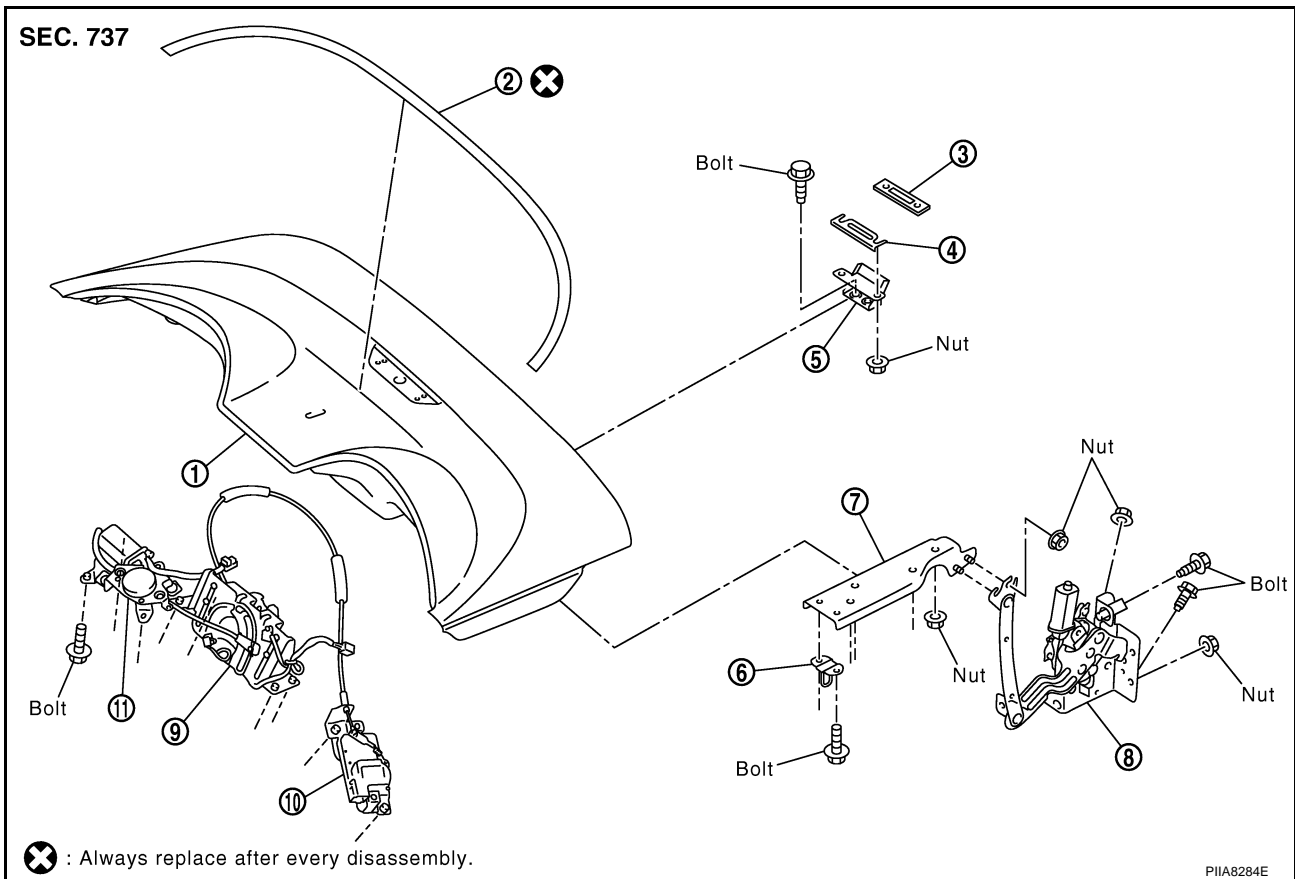
STORAGE LID

PFP:97002

STORAGE LID

Removal and Installation of Storage Lid Assembly

AIS0060R



- | | | |
|------------------------------|------------------------------|------------------------|
| 1. Storage lid | 2. Storage outer protector | 3. Spacer |
| 4. Shim | 5. Storage lid hinge | 6. Storage lid striker |
| 7. Storage lid upper bracket | 8. Storage lid lower bracket | 9. 5th bow lock |
| 10. 5th bow unlock actuator | 11. 5th bow closure motor | |

REMOVAL

1. Disconnect storage lid actuator connector.
2. Remove bolts, and then remove storage lid striker.

NOTE:

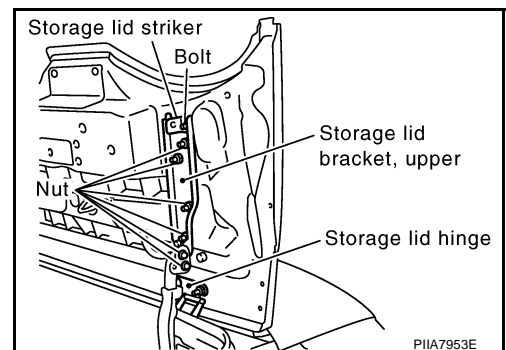
- 2 or more workers are required.
- Paint matching marks to check location for installation.

3. Remove nuts which is connecting the storage lid upper bracket and the storage lid lower bracket.

NOTE:

Paint matching marks to check location for installation

4. Remove nuts of storage lid hinge, and then remove storage lid, spacers and shims.



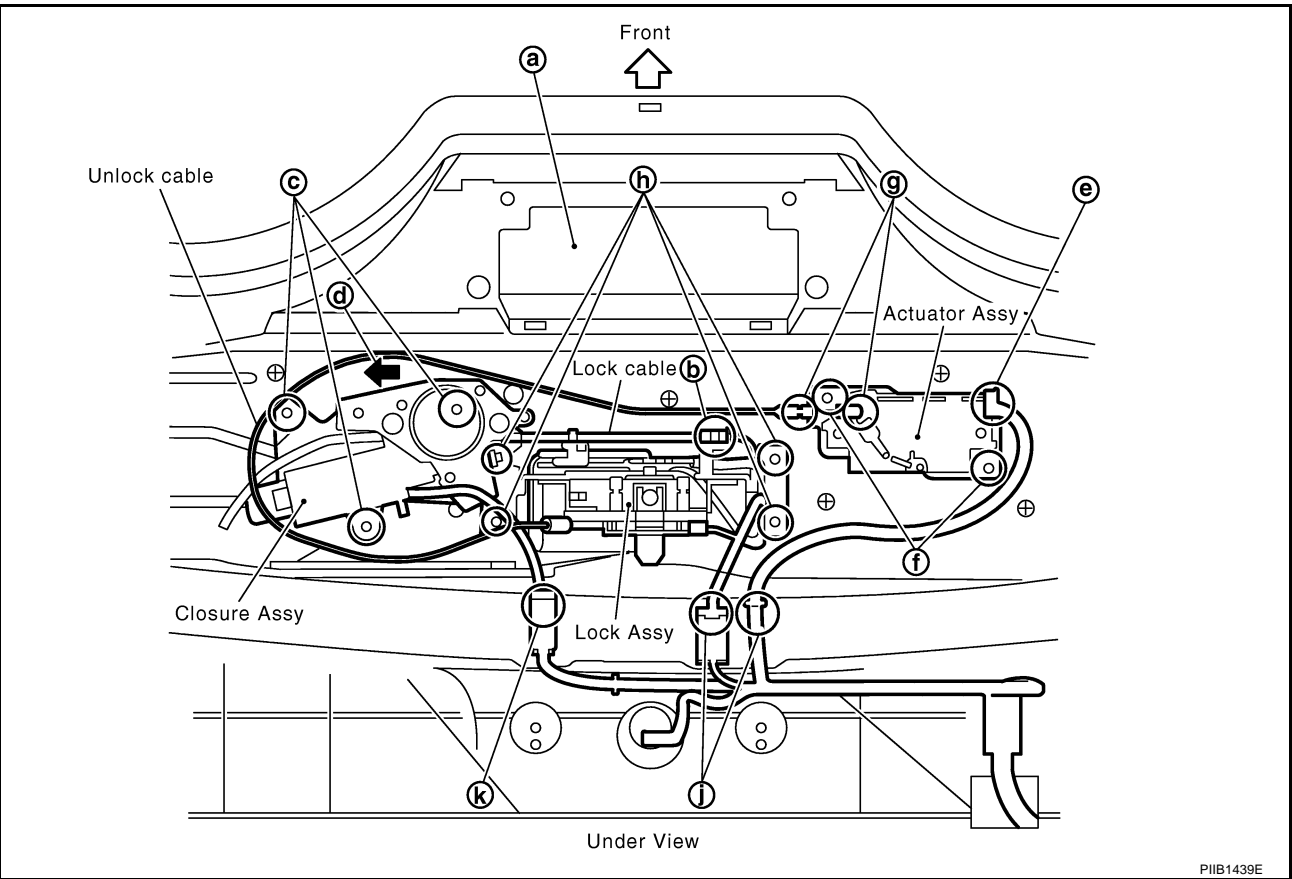
INSTALLATION

1. Install in the reverse order of removal.
2. Install storage lid, and then adjust fitting of lid.

STORAGE LID

Removal and Installation of Storage Lid Inside Unit

AIS0060S



A
B
C
D
E
F
G
H

RF

REMOVAL

NOTE:

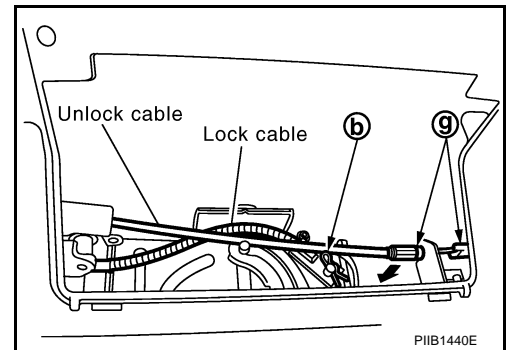
After installing Storage lid on the vehicle, an adjustment of Storage lid position is required in both closed and opened condition.

Put the removed storage lid on the floor or a work bench covered by waste clothes to prevent any scratches.

1. Remove storage lid inspection cover on the front side of Storage lid. (a in the figure)
2. Disconnect a wire from a lock assembly by pulling out a connection pin. (b in the figure)

NOTE:

The pin should be taken off by a small pliers not to fall into Storage lid. If the pin fell into Storage lid, then it is very difficult to take the pin out from the lid. And if the pin is left inside the lid, it may make an uncomfortable noise.



J
K
L
M

3. Remove closure mounting bolt from back of storage lid. (c in the figure)
4. Move closure toward outside of vehicle (because it interferes with unlock). (d in the figure)
5. Disconnect unlock actuator connector. (e in the figure)
6. Disconnect actuator side of unlock cable. (g in the figure)
7. Remove unlock actuator mounting bolt from back of storage lid, and then remove unlock actuator from inspection cover. (f in the figure)
8. Remove lock mounting bolt from back of storage lid, and then move entire lock toward rear of storage lid. (h in the figure)

STORAGE LID

9. Disconnect lock harness connector, and then remove lock from inspection cover. (j in the figure)

NOTE:

Turn lock catcher counterclockwise, and then face it to storage lid inspection hole side to remove because it interferes with storage lid when removing.

10. Disconnect closure harness connector, and then remove closure from inspection cover. (k in the figure)
11. Disconnect unlock actuator, lock, and closure harness connectors from inspection cover.
(Push in harness connector clip tabs from back of storage lid using a screwdriver so as to remove.)

INSTALLATION

Install in the reverse order of removal.

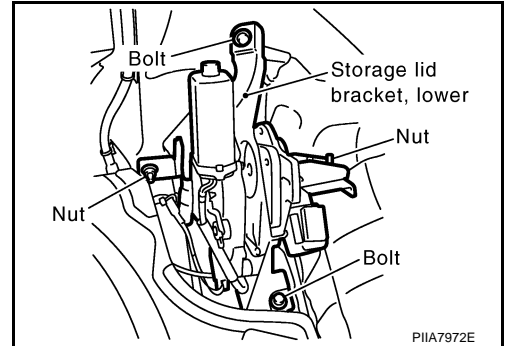
STORAGE LID

Removal and Installation of Storage Lid Actuator

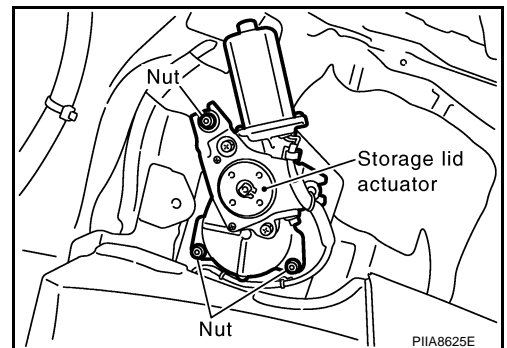
AIS0060T

REMOVAL

1. Remove trunk room trim.
2. Remove nuts and bolts, and then remove storage lid lower bracket.



3. Disconnect storage lid actuator harness connector.
4. Remove nuts and remove storage lid actuator from storage lid bracket, lower.

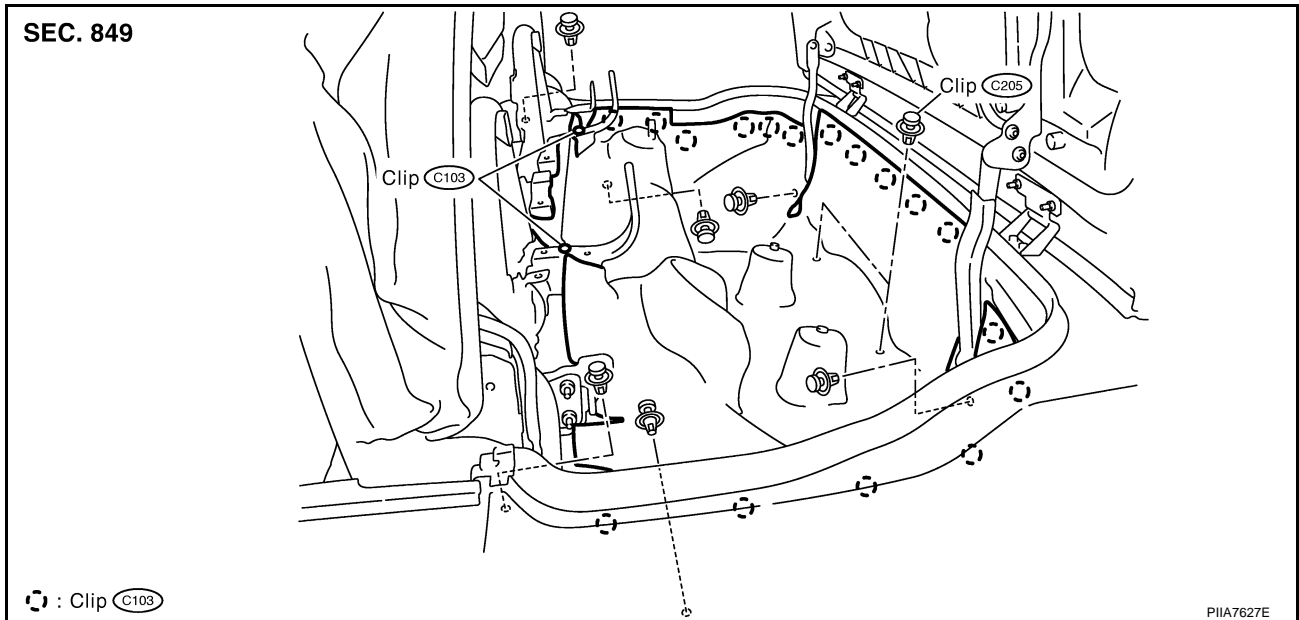


INSTALLATION

Install in the reverse order of removal.

Removal and Installation of Storage Room Finisher

AIS0060U



REMOVAL

1. Remove rear side finisher. Refer to [EI-37, "REAR SIDE FINISHER"](#).
2. Remove bolts, and then soft top mounting bracket (front).
3. Remove bolts, and then soft top mounting bracket (rear).
4. Lift up soft top mounting bracket using a lever, and then remove storage room finisher clips.
5. Remove storage room finisher clips, and then remove rear side of storage room finisher.

STORAGE LID

6. Lift up back panel finisher clips using remover tools, and then remove front side of storage room finisher.

INSTALLATION

Install in the reverse order of removal.

Removal and Installation of Storage Outer Protector

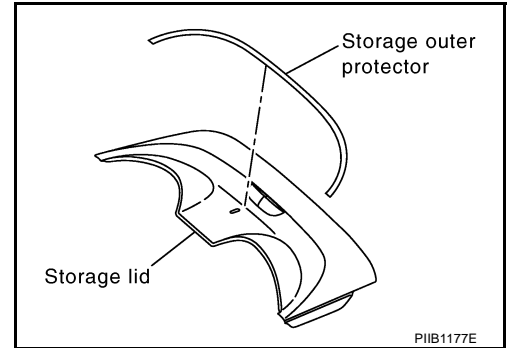
AI/S0060V

Note the following, and install in the reverse order of removal.

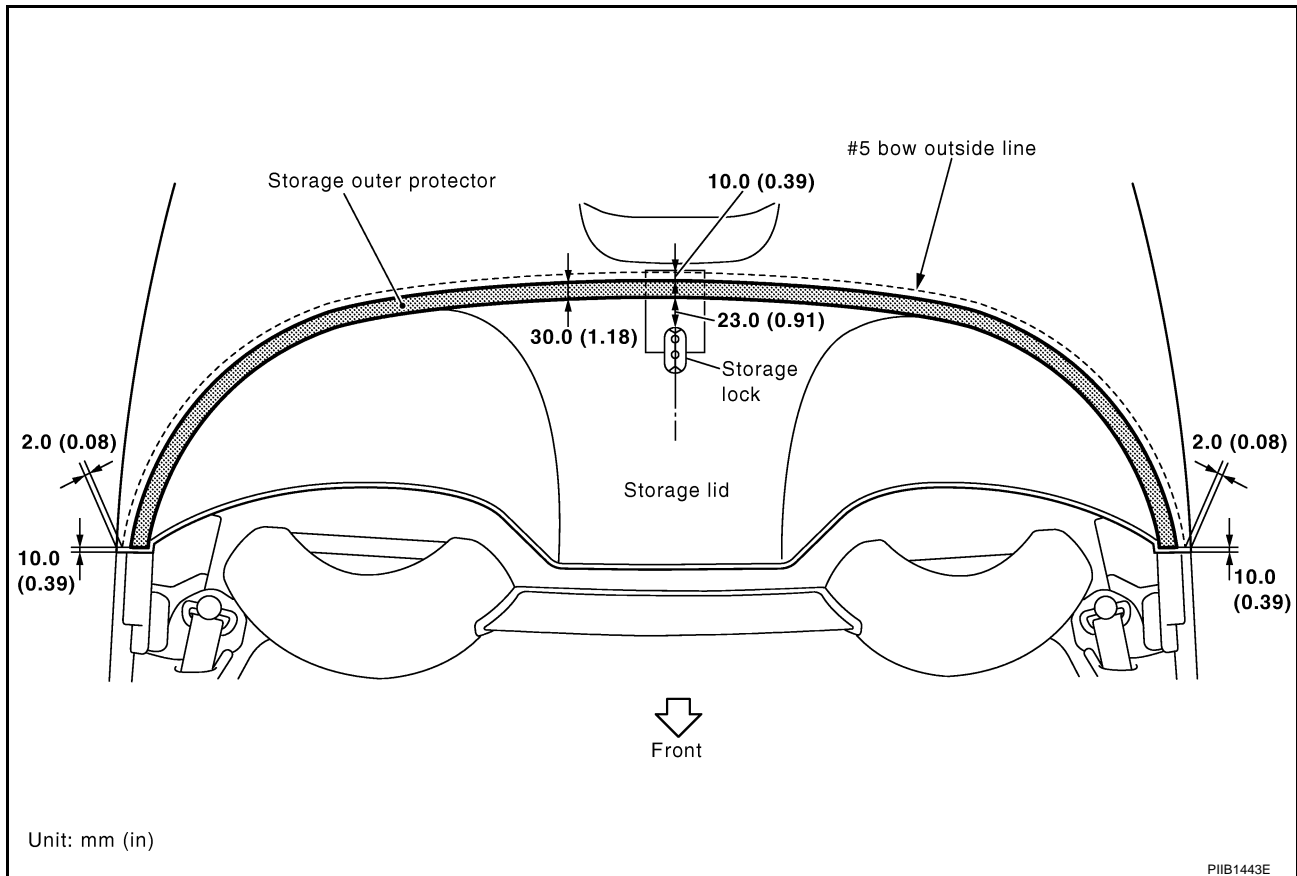
1. Heat the bonded area using a hair dryer, and then remove storage outer protector.

NOTE:

Do not reuse storage outer protector after removing.



2. Remove storage room finisher.



3. Clean Storage lid surface.
4. Close Soft top, and draw a line on a storage lid just behind the 5th bow out side edge by a water base marker pen.
5. Apply IPA solution (isopropyl alcohol : water = 1 : 1) on the lid, and set the storage outer protector position from one side. And do the same procedure to another side.
6. Apply left side storage lid outer aligning with left storage lid scribed line.
7. Apply right side storage lid outer aligning with right storage lid scribed line.

NOTE:

Not to put air or dust under the tape.

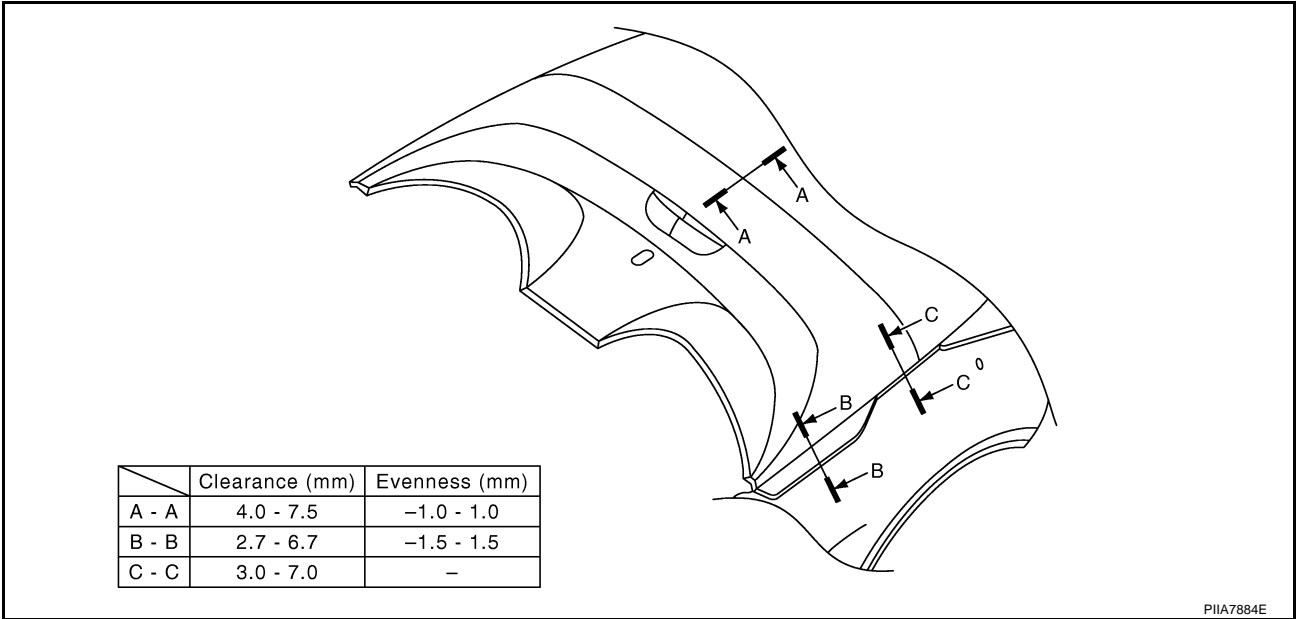
After applying the tape on the lid, peel off the protection film on the storage outer protector.

STORAGE LID

- Secure left, right, and front end of storage room finisher with remaining part when removing using double-faced adhesive tape.

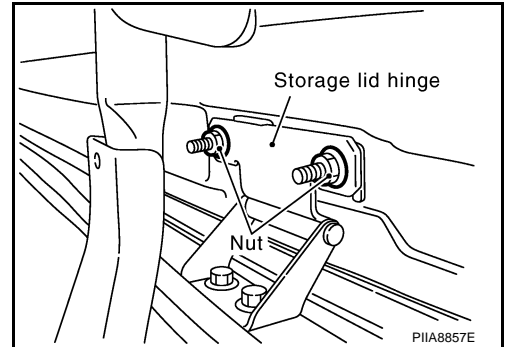
Adjustment of Storage Lid ADJUSTMENT IN FULLY CLOSED POSITION

AIS0060W



A-A Clearance Adjustment

Loosen nuts of storage lid hinge. Adjust storage lid until the clearance is within the specification.

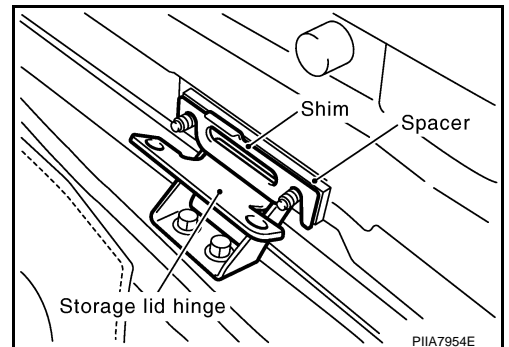


B-B Clearance Adjustment

Loosen nut of storage lid striker lock, and adjust it until the clearance is within the specification.

C-C Clearance Adjustment, A-A Evenness Adjustment

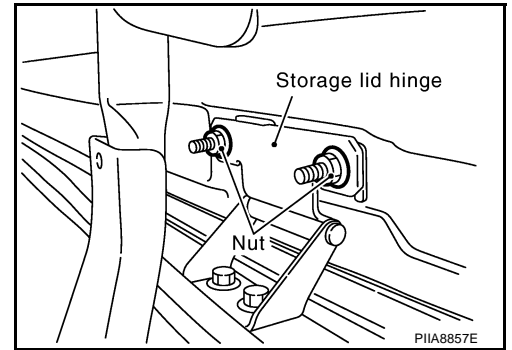
Loosen nuts of storage lid hinge. Adjust storage lid height by exchanging or adding shim until the evenness is within the specification.



STORAGE LID

B-B Evenness Adjustment

Loosen nuts of storage lid hinge. Adjust the lid until the evenness is within the specification.



ADJUSTMENT IN FULLY OPENED POSITION

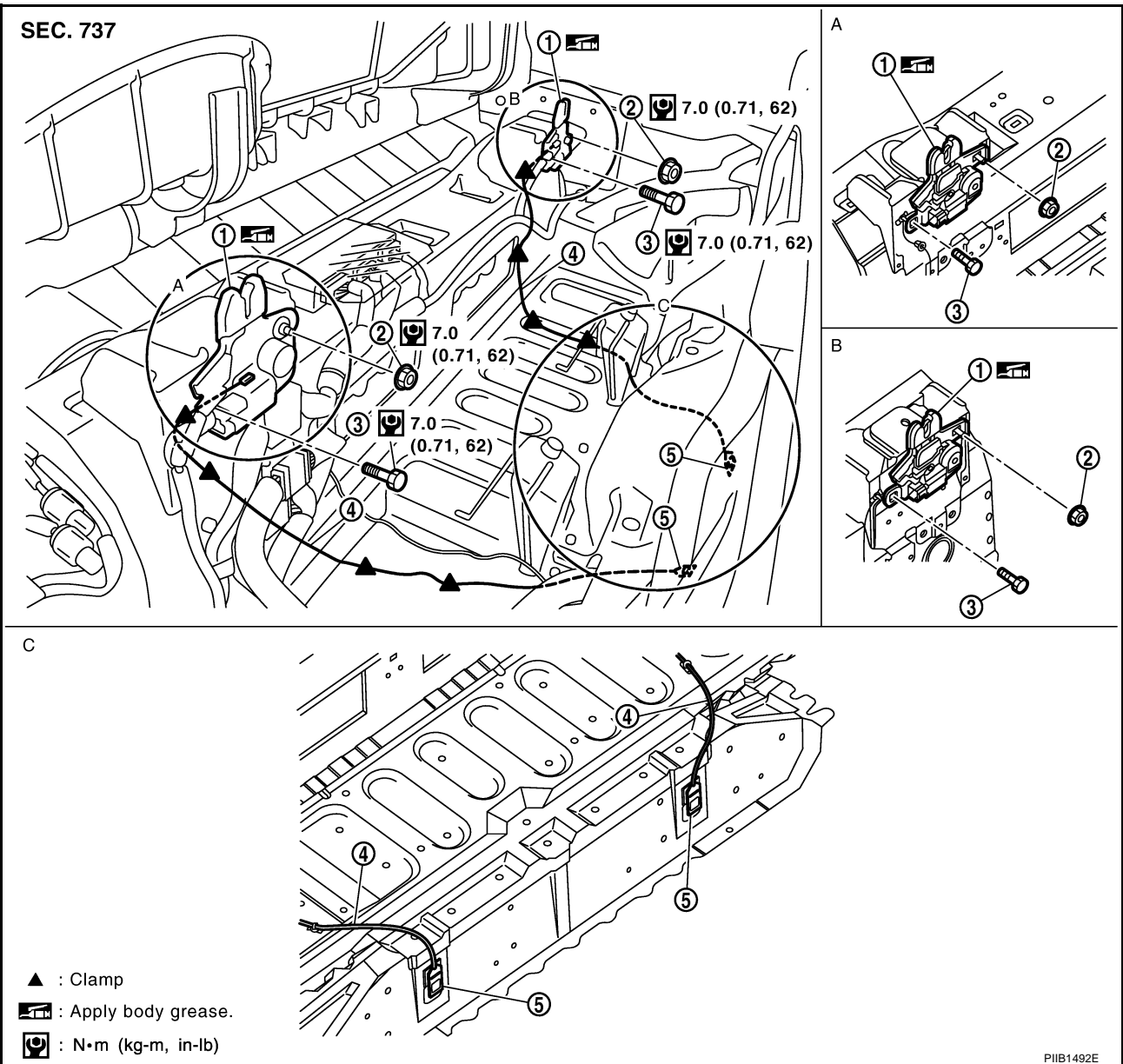
Adjust linkage position of storage lid striker and storage lid striker lock to specified dimension, by loosening nuts fixing storage lid bracket, upper and lower.

	Dimension (mm)
D - D'	566.0

STORAGE LID

Removal and Installation of Storage Lid Striker Lock & Storage Lid Emergency Opener Cable

AIS0060X



- | | | |
|---------------------------------------|--------------------------------------|---------|
| 1. Storage lid striker lock assembly | 2. Nut | 3. Bolt |
| 4. Storage lid emergency opener cable | 5. Storage lid emergency opener hook | |

REMOVAL

1. Remove storage room finisher. Refer to [RF-125, "Removal and Installation of Storage Room Finisher"](#).
2. Remove trunk front finisher. Refer to [EI-48, "TRUNK ROOM TRIM & TRUNK LID FINISHER"](#).
3. Disconnect each clamp of storage lid emergency opener cable.
4. Disconnect each harness connector of storage lid lock assembly.
5. Remove storage lid lock mounting bolts, and then remove storage lid lock assembly.

INSTALLATION

Install in the reverse order of removal.

A
B
C
D
E
F
G
H
RF
J
K
L
M

STORAGE LID
